



Vertical & Horizontal Multistage Pumps - MV & MH Series 60Hz



C.R.I. PUMPS
Pumping trust. Worldwide.

T H E B E G I N N I N G

of C.R.I., way back in 1961, was a resolute attempt to produce a few irrigation equipments using the limited facilities of an in-house foundry. Eventually the founder's dream was coming true as the small production unit he started kept growing rapidly. Now, after more than five eventful decades, it is an enormous, widely reputed organization, which produces more than 1800 varieties of perfectly engineered pumps and motors and sells its products in numerous countries spread across 6 continents.

C . R . I . I S O N E A M O N G

the few pioneers in the world to produce 100% stainless steel submersible pumps. Having achieved a record production capacity of over 2 million pumps per annum, today C.R.I. is rubbing its shoulders with the best brands in the world, with advanced technology and safety standards as its hallmarks.

T H E I N F R A S T R U C T U R E

of C.R.I. is pretty comprehensive with state-of-the-art machineries and high potential in-house R&D recognised by the ministry of science and technology, Govt. of India - all within its own covered area of 300,000 square metres. The production environment is accredited with ISO 9001 & 14001 certifications and the products are CE, UR/UL, IEC, TSE & ISI certified. The R&D team always stays in tune with the changing scenario and seldom fails in coming up with outstanding solutions every time.

N E E D L E S S T O S A Y ,

behind this legendary growth lies the untiring, innovative, enthusiastic and dedicated team work. and, of course, a flawlessly maintained value system too. The name C.R.I. itself encapsulates the company's ethos: "Commitment, Reliability, Innovation".





C.R.I. PUMPS
Pumping trust. Worldwide.

Vision, Mission and Values

To be the industry leader providing best - in - class fluid management solutions to individual and institutional customers and societies in our chosen markets.

We will achieve this through our dedicated efforts to enhance the welfare of all our stakeholders and by living by our values of **commitment, reliability and innovation.**

contents

VERTICAL MULTISTAGE CENTRIFUGAL PUMPS - MV SERIES

| | |
|---|-------|
| General & Important Notes | 4 |
| MIC, Technical Data & Operation Limits | 5 |
| Inlet Pressure & Electrical Data | 6 |
| MoC & Spares | 7 |
| Group Performance Curve & Conditions | 8 |
| Exploded Views | 9-11 |
| Performance Curves, Tables, Dimensions & Weight | 12-33 |

HORIZONTAL MULTISTAGE CENTRIFUGAL PUMPS - MH SERIES

| | |
|--|-------|
| Description & MIC | 35 |
| Technical Data, MoC, Pumped Liquids, Operating Limits & Curve Conditions | 36 |
| Exploded Views | 37 |
| Performance Curves, Tables, Dimensions & Weight | 38-40 |

G E N E R A L

C.R.I. Vertical Multistage centrifugal pumps (MV series) are non-self priming, axial suction and delivery type available with DIN standard port connections. All components like impellers, diffusers & shaft of these pumps are made of corrosion resistant AISI stainless steel and designed to deliver the best possible hydraulic efficiency. As the diffuser chambers, impellers, shaft & pump base (casing) are made of high grade stainless steel S.S. 304/316, these pumps can be used to pump clear water and are quite hygienic to use in drinking water systems too. 'O' rings and gaskets prevent leakage at the intermediate casing during high pressure. The replacement of the seal can even be done in the installed position without removing the pump from the booster system. These pumps are reliable, easily serviceable and used in water boosting units to get trouble free service for years together.

C.R.I. Multistage Vertical pumps are powered by a Totally Enclosed Fan Cooled, A.C. induction motor, suitable for continuous duty. Motor stator is made of low watt loss steel laminations assembled under pressure and rigidly locked in the frame. Dynamically balanced rotor ensures vibration and noise free operations. The varnished impregnated windings made of enamelled copper wire offer excellent resistance.

Shaft of ample size made of quality steel and precisely ground is used for transmitting the rated Horsepower. Construction of motor frames and usage of quality materials result in high performance and low temperature rise thereby increasing the life cycle of the motor. Thermal over load protector is incorporated in all single phase motors. These pumps require an adequate control system. The mounting dimensions are of IEC standard and NEMA Standard dimensions can also be supplied on request.

Applications : | Pressure boosting units | Industrial water supply | Fire fighting systems | Irrigation | Reverse osmosis systems | High pressure water supply | Water treatment plants | Boiler feeding | Washing systems | HVAC | Mining | Food processing industry | Golf Course.

Features : | High operating efficiency | Precise parts for hygiene | Good suction lift and operating pressure | Dynamically balanced rotating parts | Balanced and rigid construction | Available M.O.C. Type S, N & C.

IMPORTANT NOTES

| Read our operator's manual carefully before installation | Pump should not be operated dry | Install dry run prevention to protect the pumpset from dry running | Use appropriate size, good quality cable and starter / protection devices | Use low friction good quality pipes | The pipe diameters must never be smaller than the pump connections | Install pump according to our recommended Head range | Reduce number of bends, elbows, T-bends as much as possible in the pipe line | All pumpsets employ a prime mover motor of suitable size | Avoid fatal electrical shock or injury by disconnecting power before working on or around the pumping system | Only technically qualified personnel must perform the works complying with local electricity rules and regulations | To reduce the risk of electrical shock during operation, an appropriate earthing is mandatory | Maximum permissible supply voltage should lie between $\pm 10\%$ of the rated voltage | The performance data and curves are at rated voltage and only indicative | Product pictures shown are only for illustration purpose and the actual product may vary than they appear in picture | Standard pump supply is made for the maximum flange pressure rating mentioned in the dimensional drawing | Pipe sizes mentioned in inches are nominal pipe sizes and are nearest conversion of mm.

MODEL IDENTIFICATION CODE

M X X-XXX - XX (X) (X) X (X) (X)

Product category
M = Multi Stage Centrifugal Pumps
V = Vertical

M.O.C

Pump Outershell / Impeller / Pump Base / Suc. & Del. Ports
C = AISI 304 / AISI 304 / Cast Iron / Cast Iron
S = AISI 304 / AISI 304 / AISI 304 / AISI 304
N = AISI 316 / AISI 316 / AISI 316 / AISI 316

Flow Rate in gpm
010 = 10 gpm, 220 = 220 gpm

No. of Impellers

High Eff. Motor (applicable only when supplied with IE2 & IE3 motors)
2 for IE2 & 3 for IE3.

Voltage (This digit is applicable except 230V 1 Ph & 460V 3 Ph)

Phase / Connection / Control box / Frequency
1 = 1P / PSC / 60Hz
2 = 1P / CSCR / 60Hz
3 = 3P / D.O.L / 60Hz
6 = 3P / S.D / 60Hz

Types of Port connection (This digit is applicable only for PJE coupling)
P = PJE coupling

No of Trimmed Impellers (This digit is applicable only for pumps with trimmed impellers)
A = 1 Trimmed Impeller
B = 2 Trimmed Impellers

DESCRIPTION
 "MVS-160-4B62" denotes 160gpm, round flange, 4 stage, with 2 trimmed impellers Vertical Multistage pump with 60Hz, 3Ph, 460V IE2 motor.
 "MVS-160-4B" denotes only pump end without motor.
 Note : Pump is supplied with round flange by default.
 Last 3 digits are applicable for pumps supplied with motor (Pumpset)

TECHNICAL DATA

| | |
|-----------------------|--|
| Power Range | 0.5 to 60 HP |
| Speed | 3450 rpm |
| Degree of protection | IP 55 (Optional IP44 / IP54) |
| Insulation class | 'F' (Optional 'B') |
| Versions | Single Phase 230V, 60Hz, A.C. Supply (0.5 - 3HP) (Permanent Split Capacitor-PSC & CSCR) Incorporated with thermal over load protector. Three Phase 460V, 60Hz, A.C. Supply (0.5 - 60HP) |
| Sealing | Mechanical seal - Cartridge type |
| Direction of rotation | Anti-clockwise viewed from driving end |
| Type of Duty | S1 (continuous) |
| Flange type | PJE / Round |
| Flange Standard | DIN |
| Pipe Connection | DN 25, DN 32, DN 40, DN 50, DN 65, DN 80 & DN 100 |

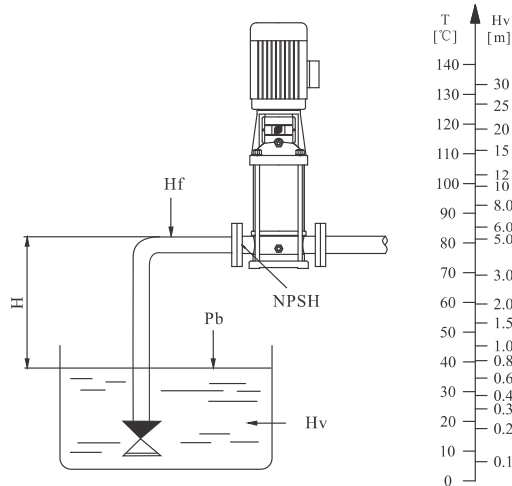
OPERATION LIMITS

| | |
|-------------------------------|-----------------|
| Suction Lift Upto | 21 Feet |
| Maximum Liquid Temperature | - 4° to + 248°F |
| Maximum Ambient Temperature | 104°F |
| Max. Operating Pressure Range | 30 Bar |

PERFORMANCE RANGE

| | |
|----------------|--------------------|
| Max. Flow Rate | 530 gpm / 33.4 Ips |
| Max. Head | 980 ft / 300 mtr |

INLET PRESSURE



MAXIMUM INLET PRESSURE

The actual inlet pressure plus the Shut off Pressure(Head) should always be lower than the “maximum operating pressure”.

MINIMUM INLET PRESSURE

In case that the pressure in pump is lower than steam pressure used to convey liquid, the cavitations will occur. To avoid the cavitations, and lessen the vibration and noise, you are suggested to adopt NPSH to make sure that the pump are under optimal operation condition.

The following formula can be used for calculation of minimum inlet pressure :

$$H = P_b \times 10.2 - NPSH - H_f - H_v - H_s$$

H : Maximum suction head (m)

Pb : Atmosphere pressure (bar)

In a closed system, Pb means system pressure (bar)

NPSH : Net positive suction head (m)

It can be read from the point of Max.flow rate shown on NPSH curve.

Hf : Pipeline loss at the inlet (m)

It is in accordance with pipeline possible Max.flow.

Hv : Stream pressure (m)

It depends on liquid temperature and system pressure value.

Hs : Safety margin (m)

Minimum 0.5m delivery head

If the calculated result H is negative, the pump may run under the Max. suction head H. In case the calculated result H is negative, a delivery head if Min.inlet pressure is necessary.

Note: Normally, the above calculation will not be done. H is calculated in the following conditions:

1. The liquid temperature is comparatively higher.
2. Liquid flow exceeds rated value.
3. Suction head is comparatively large or inlet pipeline long.
4. System pressure is too low.
5. Bad inlet condition.

ELECTRICAL DATA (3Ph, 460V, 60Hz)

| Motor | | Rated Current in Amps | Motor Eff. % | PF (cosφ) |
|-------|------|-----------------------|--------------|-----------|
| (kW) | (HP) | | | |
| 0.37 | 0.5 | 0.8 | 80 | 0.75 |
| 0.55 | 0.75 | 1.2 | 82 | 0.71 |
| 0.75 | 1.0 | 1.6 | 82 | 0.71 |
| 1.1 | 1.5 | 2.0 | 84 | 0.77 |
| 1.5 | 2.0 | 2.6 | 85 | 0.83 |
| 2.2 | 3.0 | 3.9 | 84 | 0.83 |
| 3.0 | 4.0 | 4.1 | 86 | 0.77 |
| 4.0 | 5.5 | 7.0 | 85 | 0.80 |
| 5.5 | 7.5 | 9.2 | 87 | 0.89 |

| Motor | | Rated Current in Amps | Motor Eff. % | PF (cosφ) |
|-------|------|-----------------------|--------------|-----------|
| (kW) | (HP) | | | |
| 7.5 | 10 | 13.5 | 88 | 0.81 |
| 11 | 15 | 16.6 | 91 | 0.89 |
| 15 | 20 | 24.0 | 87 | 0.92 |
| 18.5 | 25 | 28.0 | 90 | 0.92 |
| 22 | 30 | 34.0 | 91 | 0.87 |
| 30 | 40 | 45.0 | 91 | 0.91 |
| 37 | 50 | 57 | 93 | 0.88 |
| 45 | 60 | 69 | 93.6 | 0.90 |

Other voltages 380V, 220V and Dual Voltage 220/380V, 220/440V also can be supplied on request.

MATERIALS OF CONSTRUCTION

| Part Name | Part No. | Type - C | Type - S | Type - N |
|--|----------|-----------------|-------------------------|-------------------------|
| Pump Outer Shell | 29.06 | AISI 304 | AISI 304 | AISI 316 |
| Pump Head | 30.00 | C.I. | Upto 80gpm - C.I. | Upto 80gpm - C.I. |
| | | | Above 160gpm - AISI 304 | Above 160gpm - AISI 316 |
| Pump Head Cover | 30.07 | NA | AISI 304* | AISI 316* |
| Pump Head Stool (Only for 160gpm & above) | 30.01 | C.I. | C.I. | C.I. |
| Pump Base | 29.01 | C.I. | AISI 304 | AISI 316 |
| Base Plate | 24.03 | NA | C.I. | C.I. |
| Impeller | 19.00 | AISI 304 | AISI 304 | AISI 316 |
| ** Mechanical Seal | 16.00 | SiC / SiC / FKM | SiC / SiC / FKM | SiC / SiC / FKM |
| *** Bush | 12.03 | SiC / SiC | SiC / SiC | SiC / SiC |
| Diffuser (Chamber) | 18.07 | AISI 304 | AISI 304 | AISI 316 |
| Pump Shaft | 22.00 | AISI 304 / 431 | AISI 304 / 431 | AISI 316/329 |
| Wearing Ring | 17.01 | Teflon | Teflon | Teflon |
| Flange | 29.04 | C.I. | AISI 304 | AISI 316 |
| Neck Ring | 19.01 | AISI 304 | AISI 304 | AISI 316 |
| "O" Ring | 32.09 | EPDM / FKM | EPDM / FKM | EPDM / FKM |
| Coupling | 22.01 | M.S / C.I. | M.S / C.I. | M.S / C.I. |
| Split Cone | 19.02 | AISI 304 | AISI 304 | AISI 316 |
| Split Cone Nut | 19.03 | AISI 304 | AISI 304 | AISI 316 |

* Provided only upto 80gpm

** Optional Mechanical Seal MOCs

TC / TC / FKM

SiC / SiC / EPDM

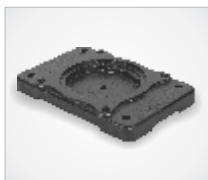
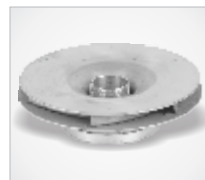
TC / CARBON / EPDM

TC / TC / EPDM

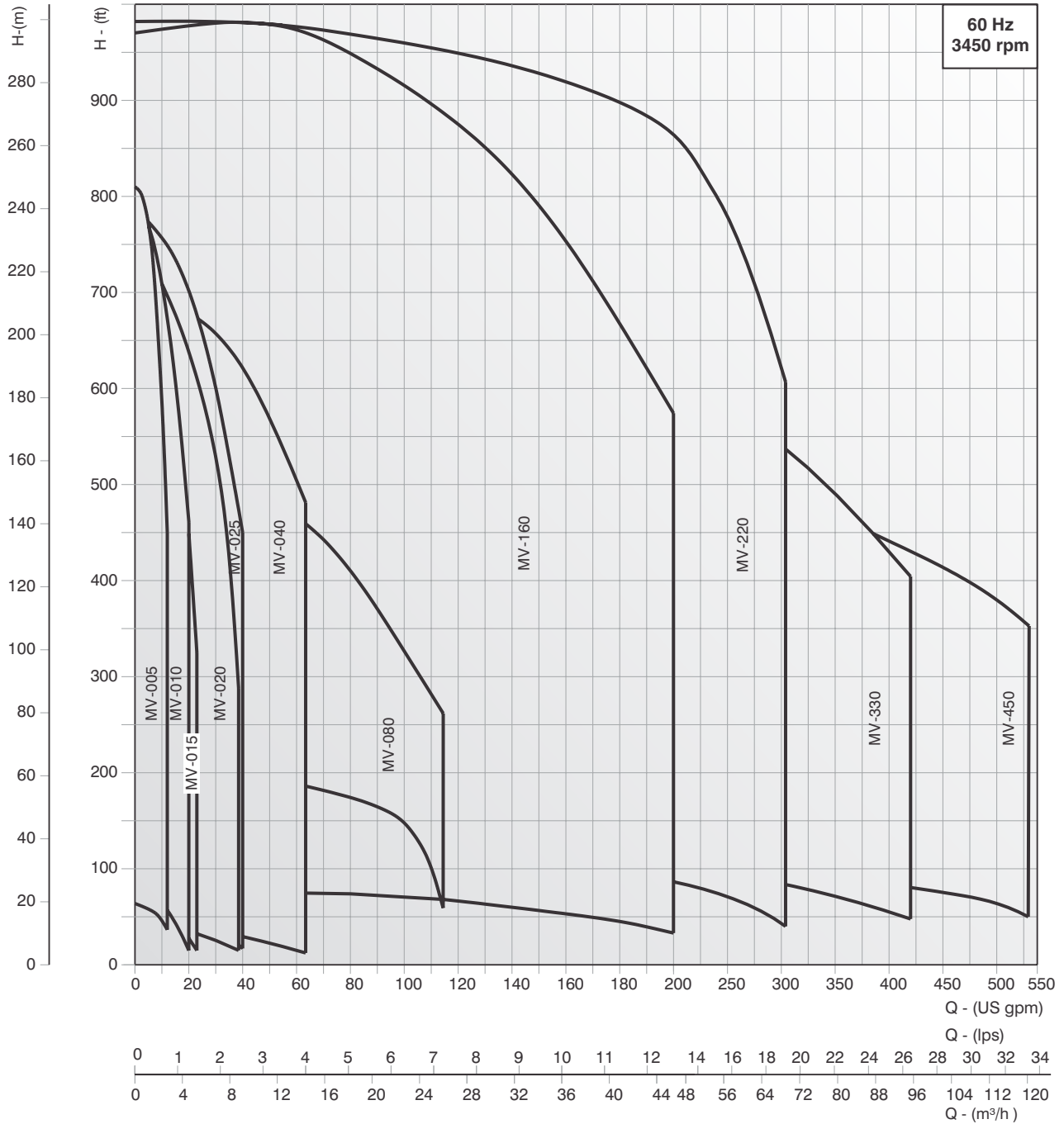
*** Optional Bush MOC

TC / TC

SiC - Silicon Carbide, TC - Tungsten Carbide, FKM - Fluoroelaromer (VITON), EPDM - Ethylene Propylene Diene Monomer



GROUP PERFORMANCE CURVE

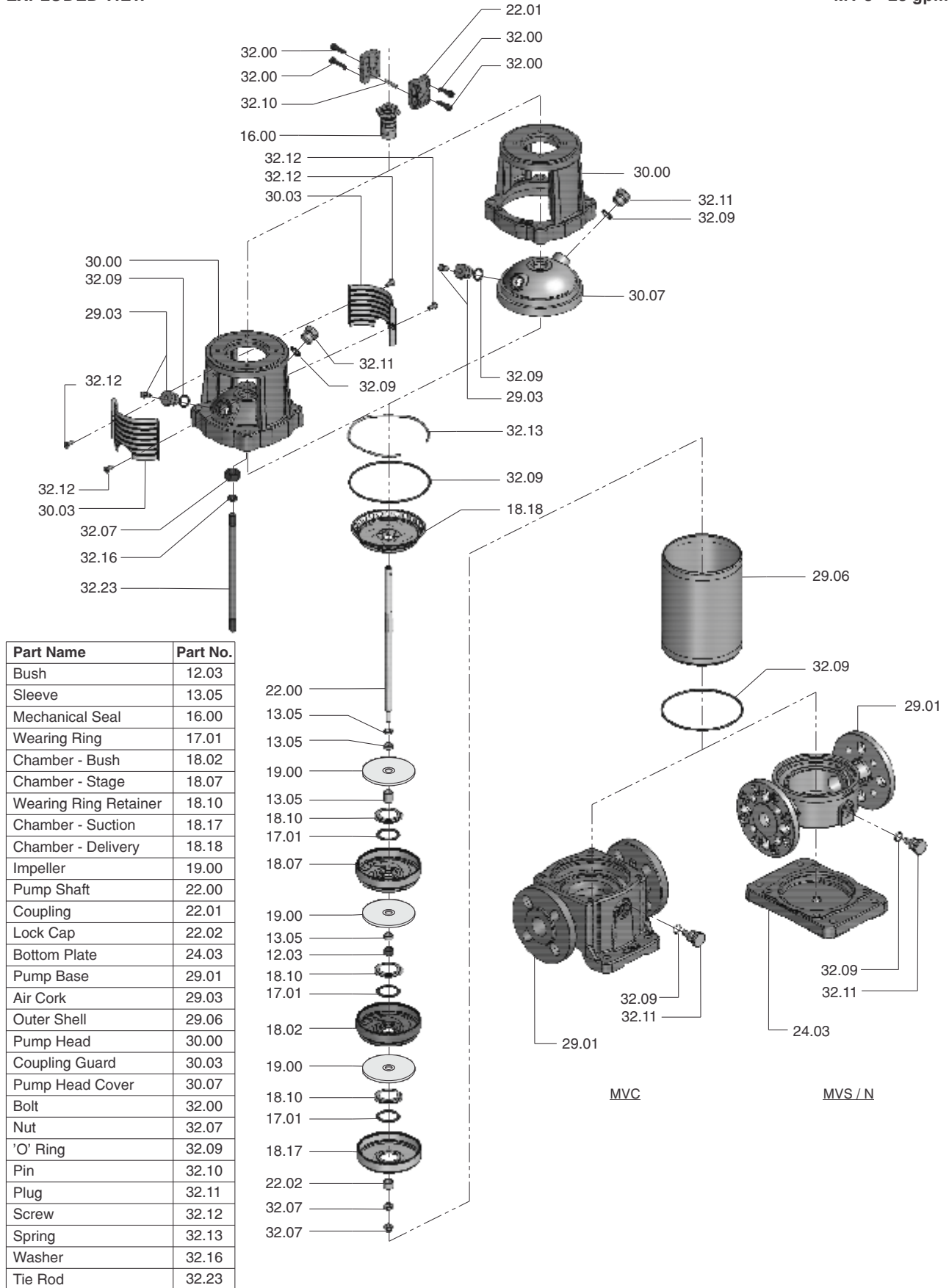


CURVE CONDITIONS

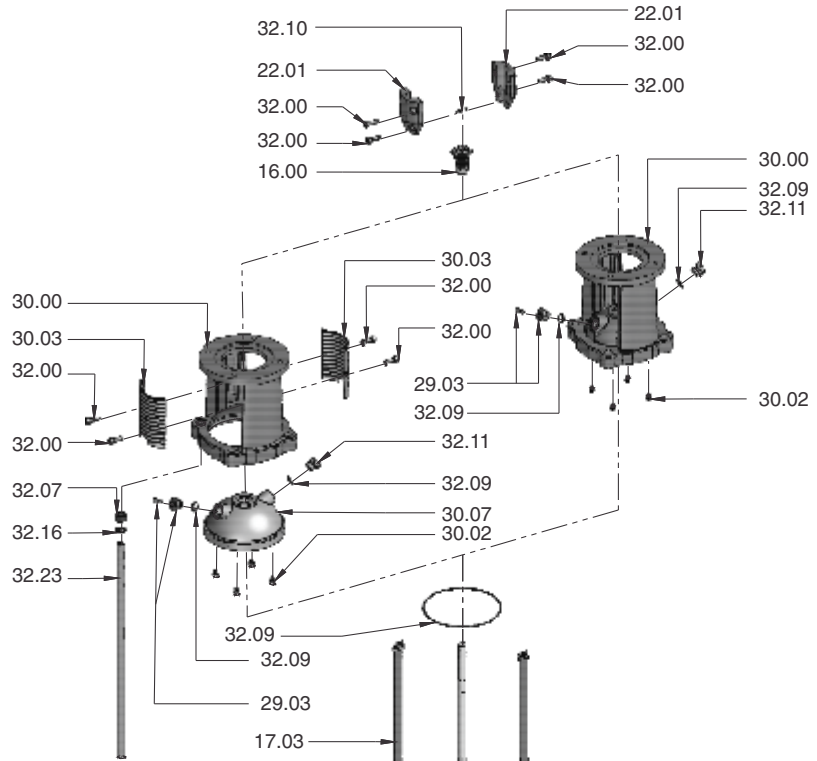
| Curve tolerance are according to ISO 9906, Grade 3B | The performance are taken at rated voltage & speed that are only indicative | Actual discharge depends on availability of water in well / tank, height of water column from the suction pipe end | The measurements were made with airless water at 68°F when pumping liquids with a density higher than of water, motors with correspondingly higher outputs must be used | The bold curves indicate the recommended performance range | Pipe friction losses have not been included in the performance curves & performance tables | The pipe connection threads are given as per BSP standard | The given performance are for specific materials of constructions | The main scales of the performance curve are “ft” and “gpm”, which have been given for head and flow respectively | The performance curves are applicable for all type of materials of construction.

EXPLODED VIEW

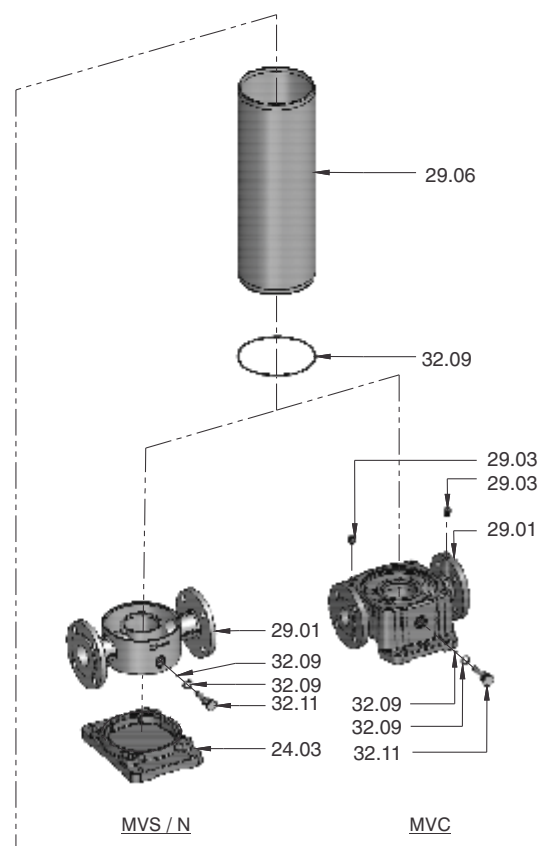
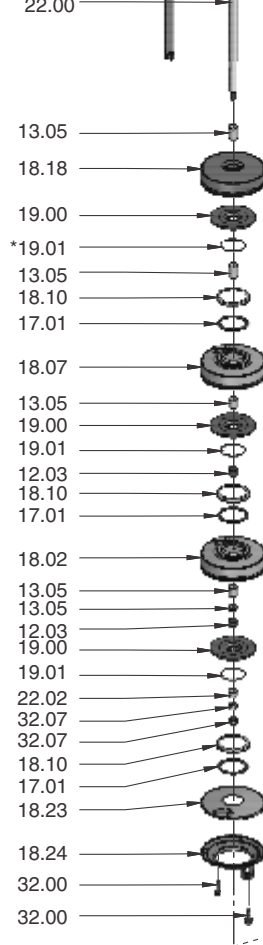
MV 5 - 25 gpm



EXPLODED VIEW



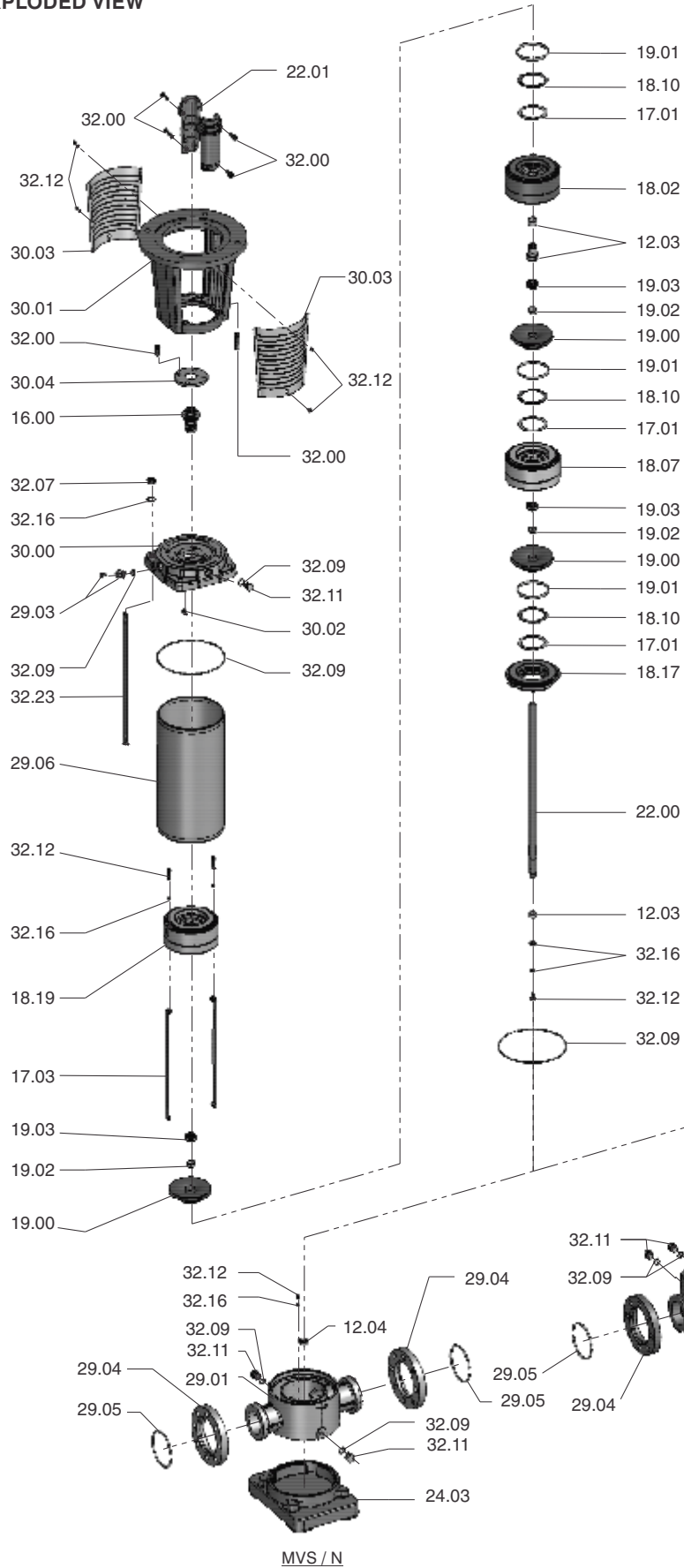
| Part Name | Part No. |
|------------------------------|----------|
| Bush | 12.03 |
| Sleeve | 13.05 |
| Mechanical Seal | 16.00 |
| Wearing Ring | 17.01 |
| Locking Strap - Pump | 17.03 |
| Chamber - Bush | 18.02 |
| Chamber - Stage | 18.07 |
| Wearing Ring Retainer | 18.10 |
| Chamber - Delivery | 18.18 |
| Suction Chamber Top Plate | 18.23 |
| Suction Chamber Bottom Plate | 18.24 |
| Impeller | 19.00 |
| *Neck Ring | 19.01 |
| Pump Shaft | 22.00 |
| Coupling | 22.01 |
| Lock Cap | 22.02 |
| Bottom Plate | 24.03 |
| Pump Base | 29.01 |
| Air Cork | 29.03 |
| Outer Shell | 29.06 |
| Pump Head | 30.00 |
| Rubber Arrester | 30.02 |
| Coupling Guard | 30.03 |
| Pump Head Cover | 30.07 |
| Bolt | 32.00 |
| Nut | 32.07 |
| "O" Ring | 32.09 |
| Pin | 32.10 |
| Plug | 32.11 |
| Screw | 32.12 |
| Washer | 32.16 |
| Tie Rod | 32.23 |



* Only for 80gpm.

MV 160 - 450 gpm

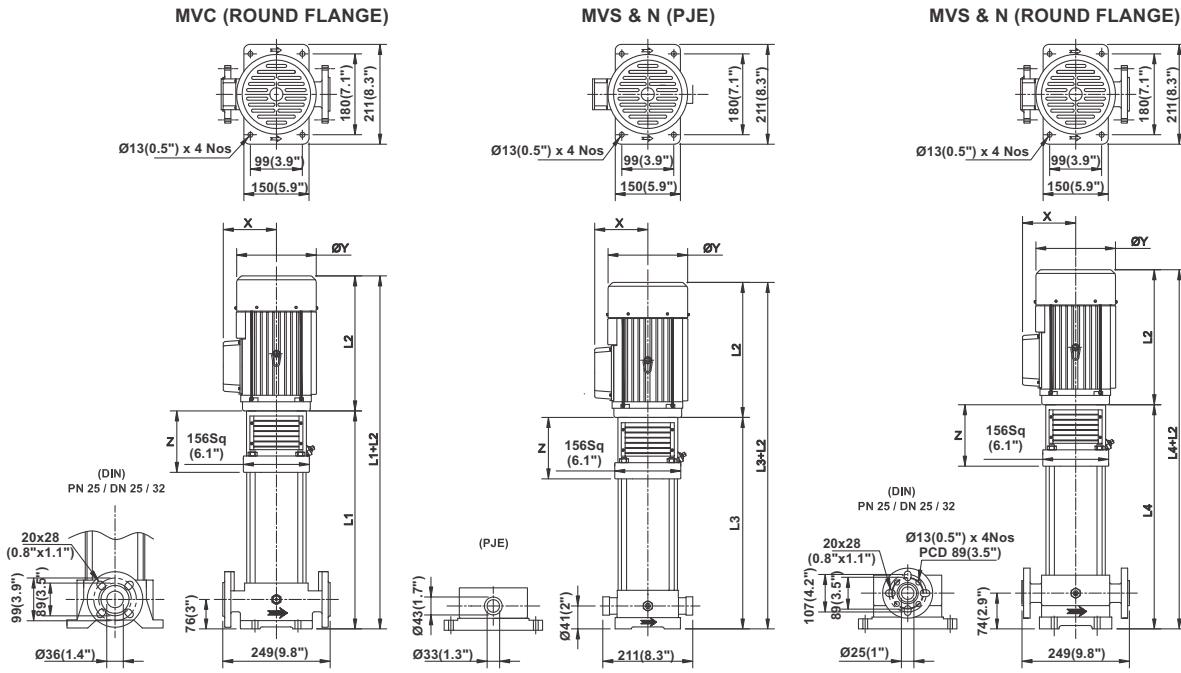
EXPLODED VIEW



| Part Name | Part No. |
|-----------------------|----------|
| Bush | 12.03 |
| Bush Guide | 12.04 |
| Mechanical Seal | 16.00 |
| Wearing Ring | 17.01 |
| Locking Strap - Pump | 17.03 |
| Chamber - Stage | 18.07 |
| Chamber - Bush | 18.02 |
| Wearing Ring Retainer | 18.10 |
| Chamber - Suction | 18.17 |
| Chamber Top | 18.19 |
| Impeller | 19.00 |
| Neck Ring | 19.01 |
| Split Cone | 19.02 |
| Split Cone Nut | 19.03 |
| Pump Shaft | 22.00 |
| Coupling | 22.01 |
| Bottom Plate | 24.03 |
| Pump Base | 29.01 |
| Air Cork | 29.03 |
| Flange | 29.04 |
| Retaining Ring | 29.05 |
| Outer Shell | 29.06 |
| Pump Head | 30.00 |
| Pump Head Stool | 30.01 |
| Rubber Arrester | 30.02 |
| Coupling Guard | 30.03 |
| Seal Lock Plate | 30.04 |
| Bolt | 32.00 |
| Nut | 32.07 |
| "O" Ring | 32.09 |
| Plug | 32.11 |
| Screw | 32.12 |
| Washer | 32.16 |
| Tie Rod | 32.23 |

MVC

MVS / N

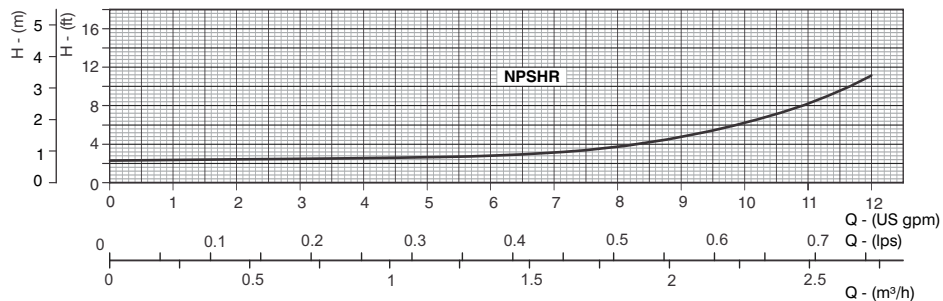


All Dimensions are in mm & Inches

DIMENSIONS & WEIGHT

| PUMP MODEL | APPROX. DIMENSIONS (mm / Inch) | | | | | | | | | | | | | | | APPROX. NETT WEIGHT WITHOUT PACKING (kg / lb) | | | | | | | | | | |
|------------|--------------------------------|------|-----|------|-----|------|------------|------|-------|------|-----|------|-------|------|-----|---|------|----|-------------|----|---------|----|------|----|------|----|
| | L1 MVC | | L2 | | | | L3 | | L4 | | X | | Y (Ø) | | Z | | PUMP | | | | | | | | | |
| | | | 1Ph | | 3Ph | | MVS/N(PJE) | | MVS/N | | | | | | | | MVC | | MVS/N (PJE) | | MVS / N | | 1Ph | | 3Ph | |
| | mm | Inch | mm | Inch | mm | Inch | mm | Inch | mm | Inch | mm | Inch | mm | Inch | mm | Inch | kg | lb | kg | lb | kg | lb | kg | lb | kg | lb |
| MVS-005-02 | 269 | 10.6 | 222 | 8.7 | 217 | 8.5 | 249 | 9.8 | 273 | 10.7 | 113 | 4.4 | 140 | 5.5 | 145 | 5.7 | 18.6 | 41 | 13.2 | 29 | 15.0 | 33 | 9.1 | 20 | 8.2 | 18 |
| MVS-005-03 | 287 | 11.3 | 222 | 8.7 | 217 | 8.5 | 267 | 10.5 | 291 | 11.5 | 113 | 4.4 | 140 | 5.5 | 145 | 5.7 | 19.0 | 42 | 14.1 | 31 | 15.4 | 34 | 9.1 | 20 | 8.2 | 18 |
| MVS-005-04 | 305 | 12.0 | 222 | 8.7 | 217 | 8.5 | 285 | 11.2 | 309 | 12.2 | 113 | 4.4 | 140 | 5.5 | 145 | 5.7 | 20.0 | 44 | 14.5 | 32 | 16.3 | 36 | 9.1 | 20 | 8.2 | 18 |
| MVS-005-05 | 323 | 12.7 | 242 | 9.5 | 232 | 9.1 | 303 | 11.9 | 327 | 12.9 | 113 | 4.4 | 140 | 5.5 | 145 | 5.7 | 20.4 | 45 | 15.0 | 33 | 16.8 | 37 | 10.0 | 22 | 9.1 | 20 |
| MVS-005-06 | 341 | 13.4 | 242 | 9.5 | 232 | 9.1 | 321 | 12.6 | 345 | 13.6 | 113 | 4.4 | 140 | 5.5 | 145 | 5.7 | 20.9 | 46 | 15.9 | 35 | 17.2 | 38 | 10.0 | 22 | 9.1 | 20 |
| MVS-005-07 | 359 | 14.1 | 267 | 10.5 | 252 | 9.9 | 339 | 13.3 | 363 | 14.3 | 113 | 4.4 | 140 | 5.5 | 145 | 5.7 | 21.8 | 48 | 16.3 | 36 | 18.1 | 40 | 11.8 | 27 | 14.1 | 31 |
| MVS-005-08 | 377 | 14.8 | 267 | 10.5 | 252 | 9.9 | 357 | 14.1 | 381 | 15.0 | 113 | 4.4 | 140 | 5.5 | 145 | 5.7 | 22.2 | 49 | 16.8 | 37 | 18.6 | 41 | 11.8 | 27 | 14.1 | 31 |
| MVS-005-09 | 395 | 15.6 | 267 | 10.5 | 252 | 9.9 | 375 | 14.8 | 399 | 15.7 | 113 | 4.4 | 140 | 5.5 | 145 | 5.7 | 22.7 | 50 | 17.7 | 39 | 19.0 | 42 | 11.8 | 27 | 14.1 | 31 |
| MVS-005-10 | 413 | 16.3 | 284 | 11.2 | 264 | 10.4 | 393 | 15.5 | 417 | 16.4 | 118 | 4.6 | 160 | 6.3 | 145 | 5.7 | 23.6 | 52 | 18.1 | 40 | 20.0 | 44 | 15.0 | 33 | 14.1 | 31 |
| MVS-005-11 | 431 | 17.0 | 284 | 11.2 | 264 | 10.4 | 411 | 16.2 | 435 | 17.1 | 118 | 4.6 | 160 | 6.3 | 145 | 5.7 | 24.0 | 53 | 18.6 | 41 | 20.4 | 45 | 15.0 | 33 | 14.1 | 31 |
| MVS-005-12 | 449 | 17.7 | 284 | 11.2 | 264 | 10.4 | 429 | 16.9 | 453 | 17.8 | 118 | 4.6 | 160 | 6.3 | 145 | 5.7 | 24.5 | 54 | 19.5 | 43 | 20.9 | 46 | 15.0 | 33 | 14.1 | 31 |
| MVS-005-13 | 467 | 18.4 | 284 | 11.2 | 264 | 10.4 | 447 | 17.6 | 471 | 18.5 | 118 | 4.6 | 160 | 6.3 | 145 | 5.7 | 24.9 | 56 | 20.0 | 44 | 21.3 | 47 | 15.0 | 33 | 14.1 | 31 |
| MVS-005-15 | 503 | 19.8 | 294 | 11.6 | 295 | 11.6 | 483 | 19.0 | 507 | 20.0 | 136 | 5.4 | 187 | 7.4 | 163 | 6.4 | 26.3 | 58 | 21.3 | 47 | 22.7 | 50 | 20.0 | 44 | 20.0 | 44 |
| MVS-005-17 | 539 | 21.2 | 294 | 11.6 | 295 | 11.6 | 519 | 20.4 | 543 | 21.4 | 136 | 5.4 | 187 | 7.4 | 163 | 6.4 | 27.7 | 61 | 22.2 | 49 | 24.0 | 53 | 20.0 | 44 | 20.0 | 44 |
| MVS-005-19 | 575 | 22.6 | 320 | 12.6 | 295 | 11.6 | 555 | 21.9 | 579 | 22.8 | 136 | 5.4 | 187 | 7.4 | 163 | 6.4 | 28.6 | 64 | 23.6 | 52 | 24.9 | 55 | 24.0 | 53 | 20.0 | 44 |
| MVS-005-21 | 611 | 24.1 | 320 | 12.6 | 295 | 11.6 | 591 | 23.3 | 615 | 24.2 | 136 | 5.4 | 187 | 7.4 | 163 | 6.4 | 29.9 | 66 | 24.9 | 55 | 26.3 | 58 | 24.0 | 53 | 20.0 | 44 |
| MVS-005-23 | 647 | 25.5 | 320 | 12.6 | 295 | 11.6 | 627 | 24.7 | 651 | 25.6 | 136 | 5.4 | 187 | 7.4 | 163 | 6.4 | 31.3 | 69 | 25.9 | 57 | 27.7 | 61 | 24.0 | 53 | 20.0 | 44 |
| MVS-005-25 | 701 | 27.6 | 320 | 12.6 | 295 | 11.6 | 681 | 26.8 | 705 | 27.8 | 136 | 5.4 | 187 | 7.4 | 163 | 6.4 | 32.2 | 71 | 27.2 | 60 | 28.6 | 63 | 24.0 | 53 | 20.0 | 44 |
| MVS-005-27 | 737 | 29.0 | - | - | 320 | 12.6 | 717 | 28.2 | 741 | 29.2 | 136 | 5.4 | 187 | 7.4 | 163 | 6.4 | 33.6 | 74 | 28.1 | 63 | 29.9 | 66 | - | - | 24.0 | 53 |

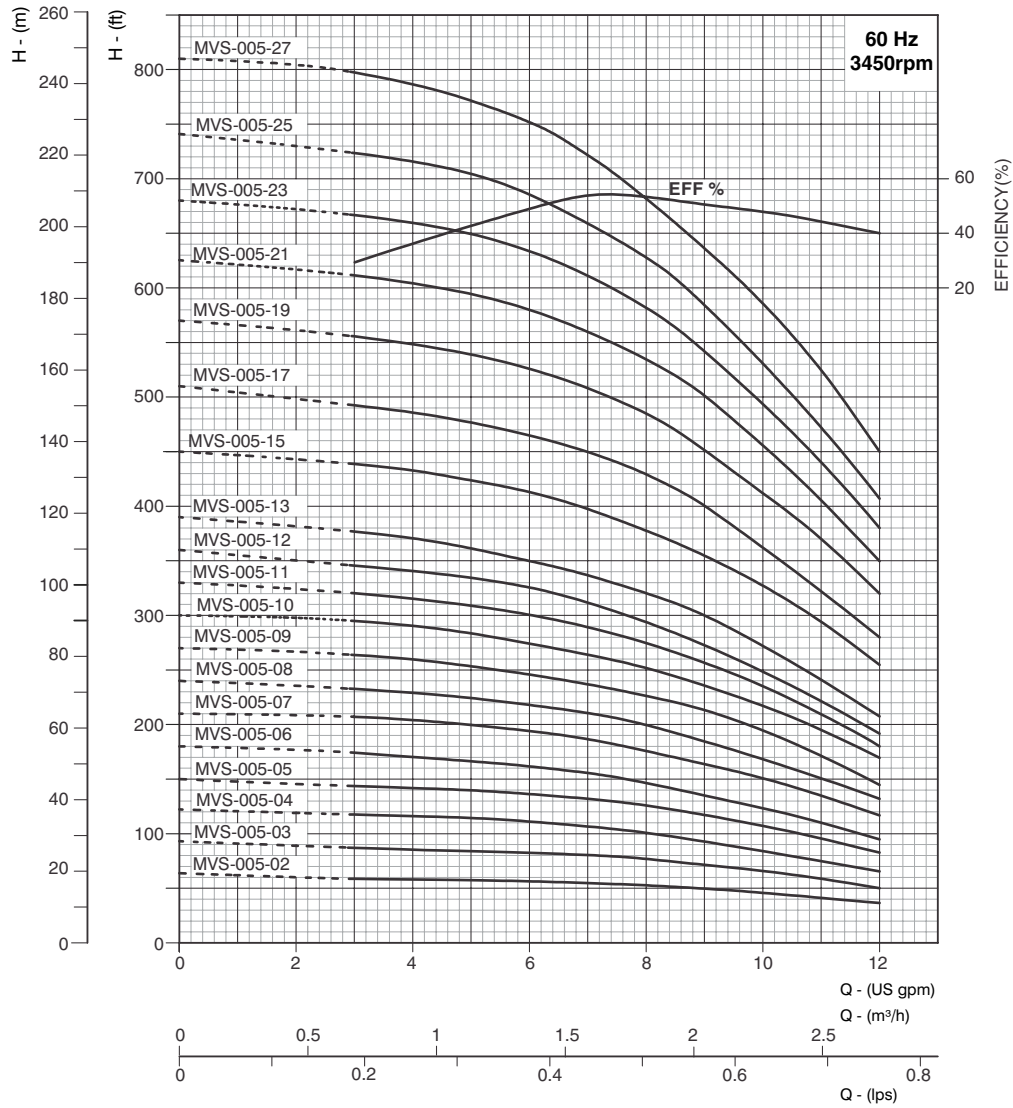
NPSHR CURVE



MV-005

PERFORMANCE CURVES

NOMINAL FLOW : 5 gpm

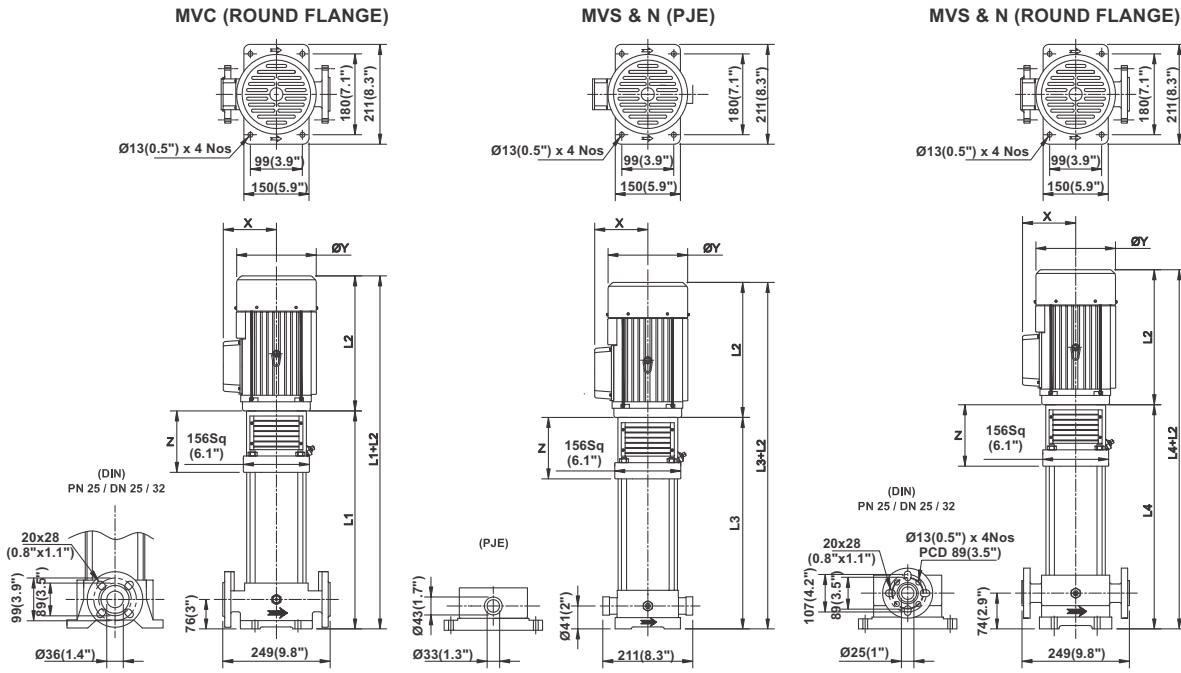


PERFORMANCE TABLE

PIPE SIZE : DN 25 / 32

| PUMP MODEL | MOTOR POWER | | DISCHARGE | | | | | | | |
|------------|-------------|------|-------------------------------|-----|-----|-----|-----|-----|-----|-----|
| | kW | HP | m³/h | 0 | 0.9 | 1.1 | 1.4 | 1.8 | 2.3 | 2.7 |
| MVS-005-02 | 0.37 | 0.5 | US gpm | 0 | 4 | 5 | 6 | 8 | 10 | 12 |
| MVS-005-03 | 0.37 | 0.5 | TOTAL MANOMETRIC HEAD IN FEET | 62 | 59 | 58 | 58 | 53 | 46 | 38 |
| MVS-005-04 | 0.37 | 0.5 | | 93 | 86 | 84 | 82 | 78 | 66 | 50 |
| MVS-005-05 | 0.55 | 0.75 | | 122 | 116 | 114 | 110 | 100 | 83 | 66 |
| MVS-005-06 | 0.55 | 0.75 | | 150 | 141 | 140 | 139 | 126 | 109 | 82 |
| MVS-005-07 | 0.75 | 1.0 | | 180 | 170 | 168 | 162 | 147 | 123 | 95 |
| MVS-005-08 | 0.75 | 1.0 | | 210 | 205 | 200 | 194 | 176 | 150 | 119 |
| MVS-005-09 | 0.75 | 1.0 | | 240 | 230 | 224 | 219 | 200 | 169 | 132 |
| MVS-005-10 | 1.1 | 1.50 | | 270 | 260 | 252 | 246 | 228 | 195 | 145 |
| MVS-005-11 | 1.1 | 1.50 | | 300 | 290 | 283 | 274 | 251 | 219 | 170 |
| MVS-005-12 | 1.1 | 1.50 | | 330 | 315 | 309 | 300 | 275 | 235 | 180 |
| MVS-005-13 | 1.1 | 1.50 | | 360 | 340 | 335 | 326 | 294 | 250 | 191 |
| MVS-005-15 | 1.5 | 2.0 | | 390 | 370 | 361 | 350 | 320 | 271 | 209 |
| MVS-005-17 | 1.5 | 2.0 | | 450 | 432 | 422 | 412 | 379 | 328 | 255 |
| MVS-005-19 | 2.2 | 3.0 | | 510 | 486 | 478 | 465 | 430 | 361 | 280 |
| MVS-005-21 | 2.2 | 3.0 | | 570 | 549 | 540 | 526 | 484 | 411 | 320 |
| MVS-005-23 | 2.2 | 3.0 | | 625 | 604 | 595 | 580 | 534 | 455 | 350 |
| MVS-005-25 | 2.2 | 3.0 | | 680 | 660 | 650 | 633 | 581 | 493 | 380 |
| MVS-005-27 | 3.0 | 4.0 | 740 | 716 | 704 | 688 | 629 | 530 | 408 | |
| | | | 810 | 788 | 771 | 751 | 682 | 586 | 450 | |

Replace the 3rd digit in model name as "C" for Cast Iron pump base & pump head models and "N" for AISI 316 construction.
 The given performance is same for Type - C, S, N
 In view of the continuous developments the Information / Descriptions / Specifications / Illustrations are subject to change without notice.

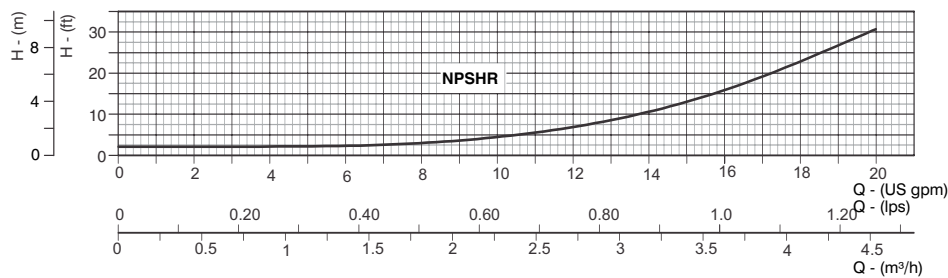


All Dimensions are in mm & Inches

DIMENSIONS & WEIGHT

| PUMP MODEL | APPROX. DIMENSIONS (mm / Inch) | | | | | | | | | | | | | | | APPROX. NETT WEIGHT WITHOUT PACKING (kg / lb) | | | | | | | | | | | | |
|------------|--------------------------------|------|-----|------|-----|------|------------|------|-------|------|-----|------|-------|------|-----|---|------|----|------|----|-------------|----|------|----|---------|----|----|----|
| | L1 MVC | | L2 | | | | L3 | | L4 | | X | | Y (Ø) | | Z | | PUMP | | | | | | | | | | | |
| | | | 1Ph | | 3Ph | | MVS/N(PJE) | | MVS/N | | | | | | | | MVC | | | | MVS/N (PJE) | | | | MVS / N | | | |
| | mm | Inch | mm | Inch | mm | Inch | mm | Inch | mm | Inch | mm | Inch | mm | Inch | mm | Inch | kg | lb | kg | lb | kg | lb | kg | lb | kg | lb | kg | lb |
| MVS-010-02 | 269 | 10.6 | 222 | 8.7 | 217 | 8.5 | 249 | 9.8 | 273 | 10.7 | 113 | 4.4 | 140 | 5.5 | 145 | 5.7 | 18.6 | 41 | 13.2 | 29 | 15.0 | 33 | 9.1 | 20 | 8.2 | 18 | | |
| MVS-010-03 | 287 | 11.3 | 242 | 9.5 | 232 | 9.1 | 267 | 10.5 | 291 | 11.5 | 113 | 4.4 | 140 | 5.5 | 145 | 5.7 | 19.0 | 42 | 14.1 | 31 | 15.9 | 35 | 10.0 | 22 | 9.1 | 20 | | |
| MVS-010-04 | 305 | 12.0 | 267 | 10.5 | 252 | 9.9 | 285 | 11.2 | 309 | 12.2 | 113 | 4.4 | 140 | 5.5 | 145 | 5.7 | 20.0 | 44 | 15.0 | 33 | 16.3 | 36 | 11.8 | 26 | 14.1 | 31 | | |
| MVS-010-05 | 323 | 12.7 | 284 | 11.2 | 264 | 10.4 | 303 | 11.9 | 327 | 12.9 | 118 | 4.6 | 160 | 6.3 | 145 | 5.7 | 20.9 | 46 | 15.4 | 34 | 17.2 | 38 | 15.0 | 33 | 14.1 | 31 | | |
| MVS-010-06 | 341 | 13.4 | 284 | 11.2 | 264 | 10.4 | 321 | 12.6 | 345 | 13.6 | 118 | 4.6 | 160 | 6.3 | 145 | 5.7 | 21.3 | 47 | 16.3 | 36 | 17.7 | 39 | 15.0 | 33 | 14.1 | 31 | | |
| MVS-010-07 | 359 | 14.1 | 294 | 11.6 | 295 | 11.6 | 339 | 13.3 | 363 | 14.3 | 136 | 5.4 | 187 | 7.4 | 163 | 6.4 | 22.7 | 50 | 17.2 | 38 | 19.0 | 42 | 20.0 | 44 | 20.0 | 44 | | |
| MVS-010-08 | 377 | 14.8 | 320 | 12.6 | 295 | 11.6 | 357 | 14.1 | 381 | 15.0 | 136 | 5.4 | 187 | 7.4 | 163 | 6.4 | 23.1 | 51 | 18.1 | 40 | 19.5 | 43 | 24.0 | 53 | 24.0 | 53 | | |
| MVS-010-09 | 395 | 15.6 | 320 | 12.6 | 295 | 11.6 | 375 | 14.8 | 399 | 15.7 | 136 | 5.4 | 187 | 7.4 | 163 | 6.4 | 24.0 | 53 | 18.6 | 41 | 20.4 | 45 | 24.0 | 53 | 24.0 | 53 | | |
| MVS-010-10 | 413 | 16.3 | 320 | 12.6 | 295 | 11.6 | 393 | 15.5 | 417 | 16.4 | 136 | 5.4 | 187 | 7.4 | 163 | 6.4 | 24.5 | 54 | 19.5 | 43 | 20.9 | 46 | 24.0 | 53 | 24.0 | 53 | | |
| MVS-010-11 | 431 | 17.0 | 320 | 12.6 | 295 | 11.6 | 411 | 16.2 | 435 | 17.1 | 136 | 5.4 | 187 | 7.4 | 163 | 6.4 | 25.4 | 56 | 20.0 | 44 | 21.8 | 48 | 24.0 | 53 | 24.0 | 53 | | |
| MVS-010-12 | 449 | 17.7 | 320 | 12.6 | 295 | 11.6 | 465 | 18.3 | 489 | 19.3 | 136 | 5.4 | 187 | 7.4 | 163 | 6.4 | 25.9 | 57 | 20.9 | 46 | 22.7 | 50 | 24.0 | 53 | 24.0 | 53 | | |
| MVS-010-13 | 485 | 19.1 | - | - | 320 | 12.6 | 483 | 19.0 | 507 | 20.0 | 136 | 5.4 | 187 | 7.4 | 163 | 6.4 | 26.8 | 59 | 21.8 | 48 | 23.1 | 51 | - | - | 24.0 | 53 | | |
| MVS-010-15 | 521 | 20.5 | - | - | 320 | 12.6 | 501 | 19.7 | 525 | 20.7 | 136 | 5.4 | 187 | 7.4 | 163 | 6.4 | 28.1 | 62 | 23.1 | 51 | 24.5 | 54 | - | - | 24.0 | 53 | | |
| MVS-010-18 | 575 | 22.6 | - | - | 354 | 13.9 | 555 | 21.9 | 579 | 22.8 | 136 | 5.4 | 187 | 7.4 | 163 | 6.4 | 30.4 | 67 | 24.9 | 55 | 26.8 | 59 | - | - | 27.7 | 61 | | |

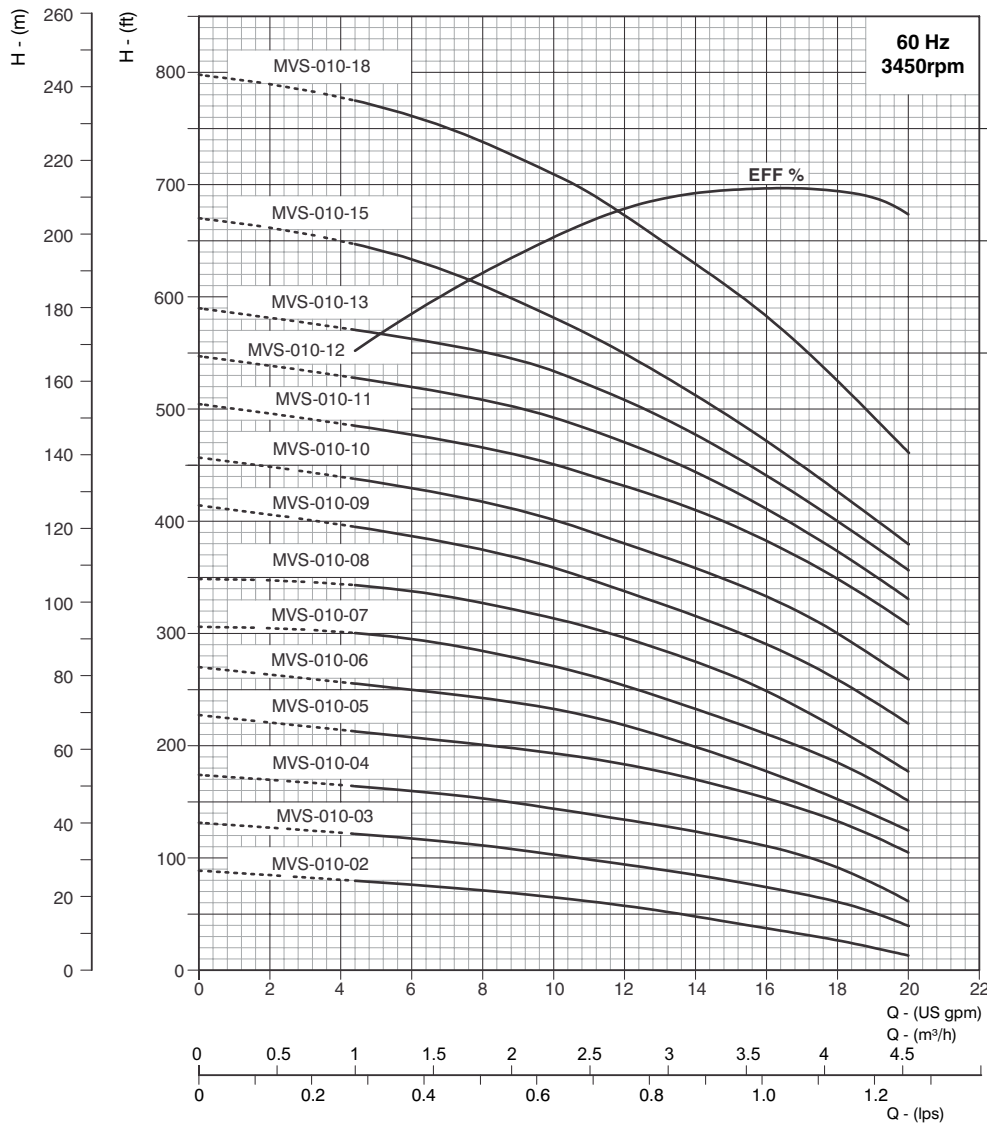
NPSHR CURVE



MV-010

PERFORMANCE CURVES

NOMINAL FLOW : 10 gpm

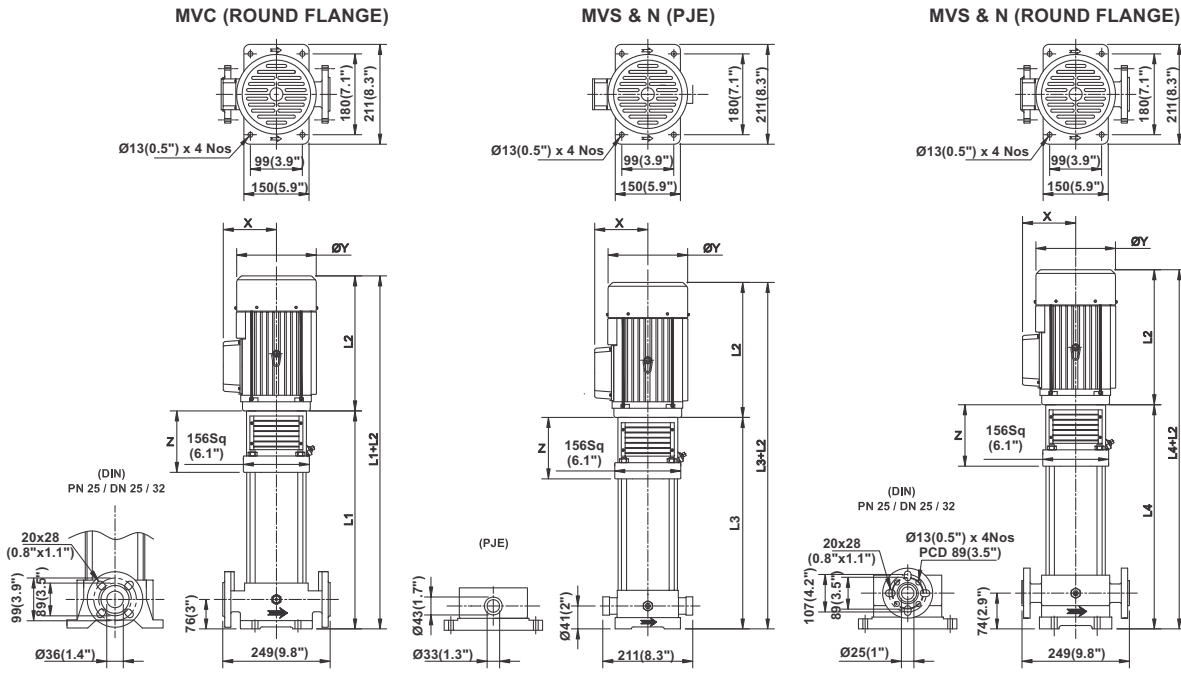


PERFORMANCE TABLE

PIPE SIZE : DN 25 / 32

| PUMP MODEL | MOTOR POWER | | DISCHARGE | | | | | | | |
|------------|-------------|------|-------------------------------|-----|-----|-----|-----|-----|-----|-----|
| | kW | HP | m³/h | 0 | 0.9 | 1.8 | 2.3 | 2.7 | 3.6 | 4.5 |
| MVS-010-02 | 0.37 | 0.5 | US gpm | 0 | 4 | 8 | 10 | 12 | 16 | 20 |
| MVS-010-03 | 0.55 | 0.75 | TOTAL MANOMETRIC HEAD IN FEET | 89 | 80 | 72 | 65 | 57 | 38 | 13 |
| MVS-010-04 | 0.75 | 1.0 | | 132 | 123 | 111 | 102 | 95 | 75 | 40 |
| MVS-010-05 | 1.1 | 1.5 | | 174 | 165 | 153 | 144 | 135 | 110 | 62 |
| MVS-010-06 | 1.1 | 1.5 | | 227 | 215 | 201 | 192 | 184 | 153 | 105 |
| MVS-010-07 | 1.5 | 2.0 | | 270 | 257 | 243 | 231 | 218 | 177 | 125 |
| MVS-010-08 | 2.2 | 3.0 | | 306 | 301 | 285 | 270 | 254 | 210 | 151 |
| MVS-010-09 | 2.2 | 3.0 | | 348 | 345 | 327 | 313 | 296 | 249 | 178 |
| MVS-010-10 | 2.2 | 3.0 | | 414 | 397 | 375 | 360 | 338 | 290 | 220 |
| MVS-010-11 | 2.2 | 3.0 | | 457 | 440 | 418 | 400 | 380 | 333 | 260 |
| MVS-010-12 | 2.2 | 3.0 | | 505 | 487 | 466 | 450 | 432 | 382 | 308 |
| MVS-010-13 | 3 | 4.0 | | 547 | 530 | 508 | 491 | 470 | 411 | 331 |
| MVS-010-15 | 3 | 4.0 | | 590 | 573 | 551 | 533 | 508 | 441 | 357 |
| MVS-010-18 | 4 | 5.5 | | 670 | 650 | 610 | 580 | 550 | 472 | 380 |
| | | | | 798 | 778 | 739 | 710 | 672 | 583 | 461 |

Replace the 3rd digit in model name as "C" for Cast Iron pump base & pump head models and "N" for AISI 316 construction.
 The given performance is same for Type - C, S, N
 In view of the continuous developments the Information / Descriptions / Specifications / Illustrations are subject to change without notice.

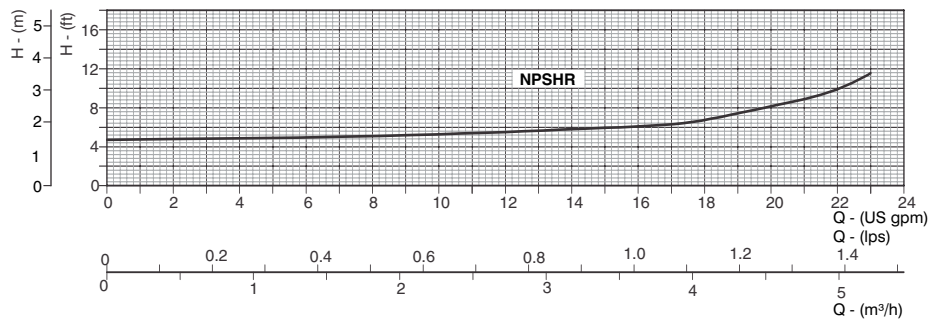


All Dimensions are in mm & Inches

DIMENSIONS & WEIGHT

| PUMP MODEL | APPROX. DIMENSIONS (mm / Inch) | | | | | | | | | | | | | | APPROX. NETT WEIGHT WITHOUT PACKING (kg / lb) | | | | | | | | | | | |
|------------|--------------------------------|------|-----|------|-----|------|------------|------|-------|------|-----|------|-------|------|---|------|------|----|-------------|----|---------|----|------|----|------|----|
| | L1 MVC | | L2 | | | | L3 | | L4 | | X | | Y (Ø) | | Z | | PUMP | | | | MOTOR | | | | | |
| | | | 1Ph | | 3Ph | | MVS/N(PJE) | | MVS/N | | | | | | | | MVC | | MVS/N (PJE) | | MVS / N | | 1Ph | | 3Ph | |
| | mm | Inch | mm | Inch | mm | Inch | mm | Inch | mm | Inch | mm | Inch | mm | Inch | mm | Inch | kg | lb | kg | lb | kg | lb | kg | lb | kg | lb |
| MVS-015-02 | 269 | 10.6 | 222 | 8.7 | 217 | 8.5 | 249 | 9.8 | 273 | 10.7 | 113 | 4.4 | 140 | 5.5 | 145 | 5.7 | 18.6 | 41 | 13.2 | 29 | 15.0 | 33 | 9.1 | 20 | 8.2 | 18 |
| MVS-015-03 | 287 | 11.3 | 222 | 8.7 | 217 | 8.5 | 267 | 10.5 | 291 | 11.5 | 113 | 4.4 | 140 | 5.5 | 145 | 5.7 | 19.0 | 42 | 14.1 | 31 | 15.4 | 34 | 10.0 | 22 | 9.1 | 20 |
| MVS-015-04 | 305 | 12.0 | 242 | 9.5 | 232 | 9.1 | 285 | 11.2 | 309 | 12.2 | 113 | 4.4 | 140 | 5.5 | 145 | 5.7 | 19.5 | 43 | 14.5 | 32 | 16.3 | 36 | 10.0 | 22 | 9.1 | 20 |
| MVS-015-05 | 323 | 12.7 | 267 | 10.5 | 252 | 9.9 | 303 | 11.9 | 327 | 12.9 | 113 | 4.4 | 140 | 5.5 | 145 | 5.7 | 20.4 | 45 | 15.0 | 33 | 16.8 | 37 | 11.8 | 26 | 14.1 | 31 |
| MVS-015-06 | 341 | 13.4 | 284 | 11.2 | 264 | 10.4 | 321 | 12.6 | 345 | 13.6 | 118 | 4.6 | 160 | 6.3 | 145 | 5.7 | 20.9 | 46 | 15.9 | 35 | 17.2 | 38 | 15.0 | 33 | 14.1 | 31 |
| MVS-015-07 | 359 | 14.1 | 284 | 11.2 | 264 | 10.4 | 339 | 13.3 | 363 | 14.3 | 118 | 4.6 | 160 | 6.3 | 145 | 5.7 | 21.3 | 47 | 16.3 | 36 | 17.7 | 39 | 15.0 | 33 | 14.1 | 31 |
| MVS-015-08 | 377 | 14.8 | 284 | 11.2 | 264 | 10.4 | 357 | 14.1 | 381 | 15.0 | 118 | 4.6 | 160 | 6.3 | 145 | 5.7 | 22.2 | 49 | 16.8 | 37 | 18.6 | 41 | 15.0 | 33 | 14.1 | 31 |
| MVS-015-09 | 395 | 15.6 | 294 | 11.6 | 295 | 11.6 | 375 | 14.8 | 399 | 15.7 | 136 | 5.4 | 187 | 7.4 | 163 | 6.4 | 23.1 | 51 | 18.1 | 40 | 19.5 | 43 | 20.0 | 44 | 20.0 | 44 |
| MVS-015-10 | 413 | 16.3 | 294 | 11.6 | 295 | 11.6 | 393 | 15.5 | 417 | 16.4 | 136 | 5.4 | 187 | 7.4 | 163 | 6.4 | 23.6 | 52 | 18.6 | 41 | 20.4 | 45 | 20.0 | 44 | 20.0 | 44 |
| MVS-015-11 | 431 | 17.0 | 294 | 11.6 | 295 | 11.6 | 411 | 16.2 | 435 | 17.1 | 136 | 5.4 | 187 | 7.4 | 163 | 6.4 | 24.5 | 54 | 19.0 | 42 | 20.9 | 46 | 20.0 | 44 | 20.0 | 44 |
| MVS-015-12 | 449 | 17.7 | 320 | 12.6 | 295 | 11.6 | 429 | 16.9 | 453 | 17.8 | 136 | 5.4 | 187 | 7.4 | 163 | 6.4 | 24.9 | 55 | 20.0 | 44 | 21.3 | 47 | 24.0 | 53 | 20.0 | 44 |
| MVS-015-13 | 467 | 18.4 | 320 | 12.6 | 295 | 11.6 | 447 | 17.6 | 471 | 18.5 | 136 | 5.4 | 187 | 7.4 | 163 | 6.4 | 25.4 | 56 | 20.4 | 45 | 22.2 | 49 | 24.0 | 53 | 20.0 | 44 |
| MVS-015-15 | 503 | 19.8 | 320 | 12.6 | 295 | 11.6 | 483 | 19.0 | 507 | 20.0 | 136 | 5.4 | 187 | 7.4 | 163 | 6.4 | 26.8 | 59 | 21.8 | 48 | 23.1 | 51 | 24.0 | 53 | 20.0 | 44 |
| MVS-015-17 | 557 | 21.9 | 320 | 12.6 | 295 | 11.6 | 537 | 21.1 | 561 | 22.1 | 136 | 5.4 | 187 | 7.4 | 163 | 6.4 | 28.1 | 62 | 22.7 | 50 | 24.5 | 54 | 24.0 | 53 | 20.0 | 44 |
| MVS-015-19 | 593 | 23.3 | - | - | 320 | 12.6 | 573 | 22.6 | 597 | 23.5 | 136 | 5.4 | 187 | 7.4 | 163 | 6.4 | 29.0 | 64 | 24.0 | 53 | 25.4 | 56 | - | - | 24.0 | 53 |
| MVS-015-21 | 629 | 24.8 | - | - | 320 | 12.6 | 609 | 24.0 | 633 | 24.9 | 136 | 5.4 | 187 | 7.4 | 163 | 6.4 | 30.4 | 67 | 25.4 | 56 | 26.8 | 59 | - | - | 24.0 | 53 |
| MVS-015-23 | 665 | 26.2 | - | - | 320 | 12.6 | 645 | 25.4 | 669 | 26.3 | 136 | 5.4 | 187 | 7.4 | 163 | 6.4 | 31.7 | 70 | 26.3 | 58 | 28.1 | 62 | - | - | 24.0 | 53 |
| MVS-015-25 | 701 | 27.6 | - | - | 320 | 12.6 | 681 | 26.8 | 705 | 27.8 | 136 | 5.4 | 187 | 7.4 | 163 | 6.4 | 32.7 | 72 | 27.7 | 61 | 29.0 | 64 | - | - | 24.0 | 53 |

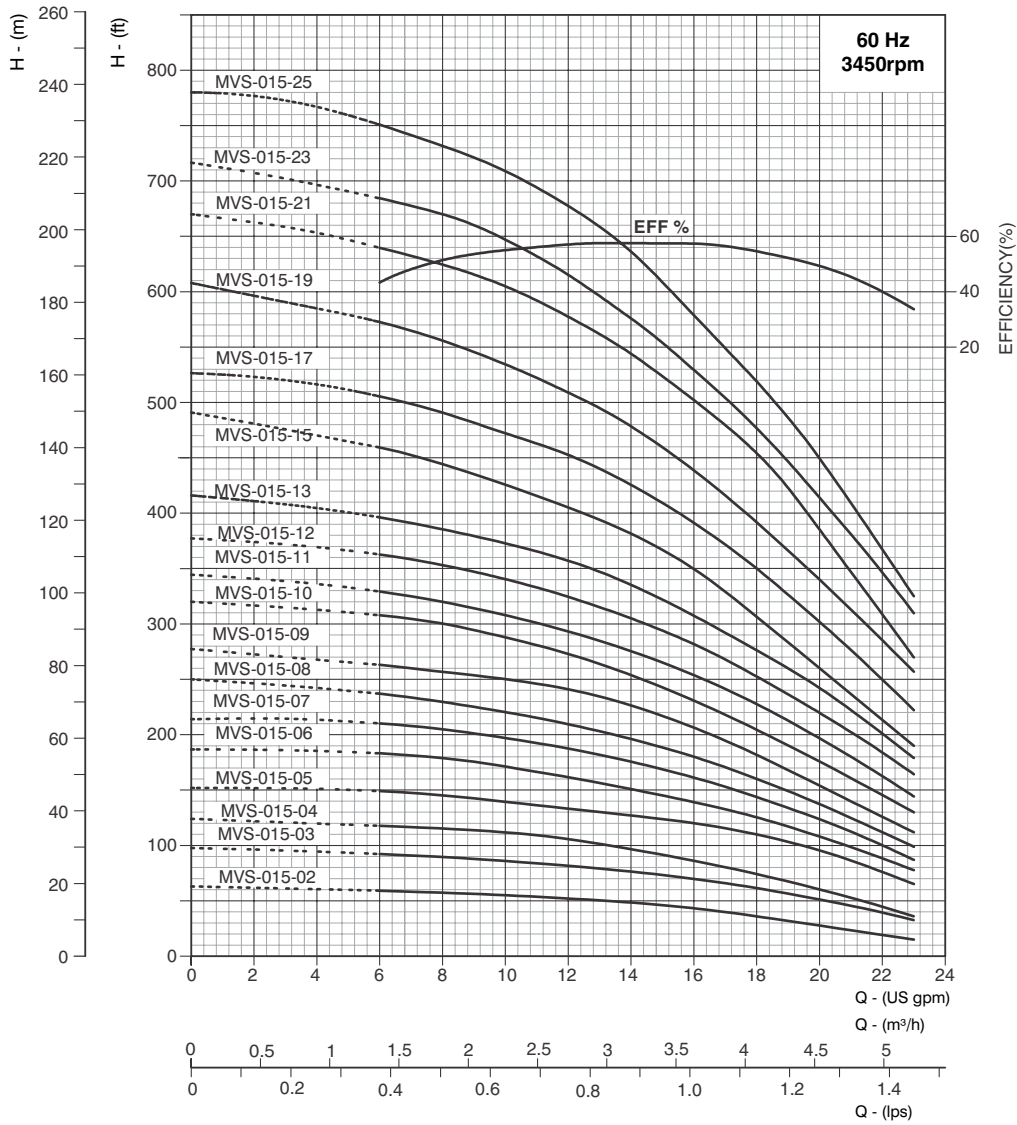
NPSHR CURVE



MV-015

PERFORMANCE CURVES

NOMINAL FLOW : 15 gpm

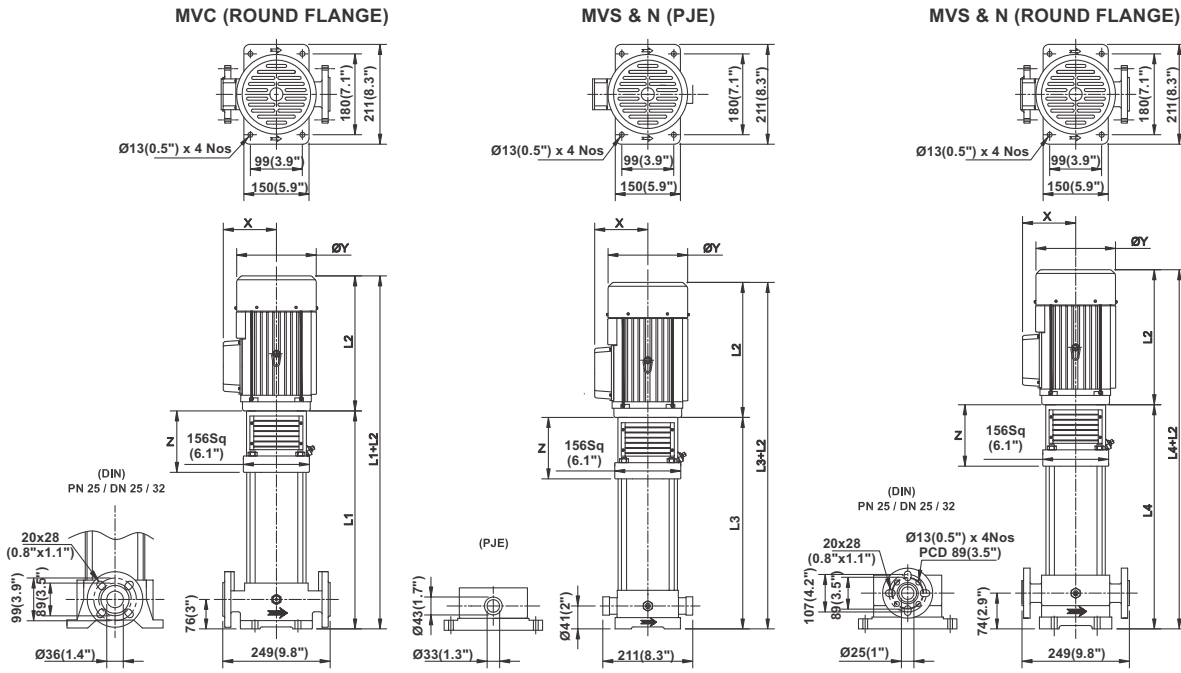


PERFORMANCE TABLE

PIPE SIZE : DN 25 / 32

| PUMP MODEL | MOTOR POWER | | DISCHARGE | | | | | | |
|------------|-------------|------|-------------------------------|-----|-----|-----|-----|-----|-----|
| | kW | HP | m³/h | 0 | 1.4 | 2.3 | 3.4 | 4.1 | 5.2 |
| MVS-015-02 | 0.37 | 0.50 | US gpm | 0 | 6 | 10 | 15 | 18 | 23 |
| MVS-015-03 | 0.55 | 0.75 | TOTAL MANOMETRIC HEAD IN FEET | 62 | 60 | 55 | 47 | 35 | 15 |
| MVS-015-04 | 0.55 | 0.75 | | 98 | 92 | 85 | 72 | 60 | 30 |
| MVS-015-05 | 0.75 | 1.0 | | 125 | 118 | 111 | 91 | 75 | 35 |
| MVS-015-06 | 1.1 | 1.5 | | 151 | 150 | 140 | 122 | 110 | 65 |
| MVS-015-07 | 1.1 | 1.5 | | 188 | 182 | 170 | 145 | 125 | 79 |
| MVS-015-08 | 1.1 | 1.5 | | 212 | 210 | 198 | 170 | 145 | 89 |
| MVS-015-09 | 1.5 | 2.0 | | 250 | 238 | 220 | 190 | 160 | 100 |
| MVS-015-10 | 1.5 | 2.0 | | 278 | 262 | 250 | 219 | 180 | 112 |
| MVS-015-11 | 1.5 | 2.0 | | 320 | 308 | 290 | 242 | 205 | 130 |
| MVS-015-12 | 2.2 | 3.0 | | 345 | 330 | 308 | 265 | 226 | 145 |
| MVS-015-13 | 2.2 | 3.0 | | 378 | 362 | 340 | 295 | 250 | 165 |
| MVS-015-15 | 2.2 | 3.0 | | 416 | 395 | 372 | 321 | 275 | 180 |
| MVS-015-17 | 2.2 | 3.0 | | 490 | 460 | 426 | 368 | 308 | 190 |
| MVS-015-19 | 3.0 | 4.0 | | 528 | 505 | 470 | 410 | 350 | 223 |
| MVS-015-21 | 3.0 | 4.0 | | 608 | 572 | 535 | 460 | 390 | 255 |
| MVS-015-23 | 3.0 | 4.0 | | 670 | 640 | 605 | 522 | 450 | 270 |
| MVS-015-25 | 3.0 | 4.0 | | 718 | 685 | 645 | 551 | 475 | 310 |
| | | | | 780 | 750 | 710 | 608 | 520 | 325 |

Replace the 3rd digit in model name as "C" for Cast Iron pump base & pump head models and "N" for AISI 316 construction.
 The given performance is same for Type - C, S, N
 In view of the continuous developments the information / Descriptions / Specifications / Illustrations are subject to change without notice.

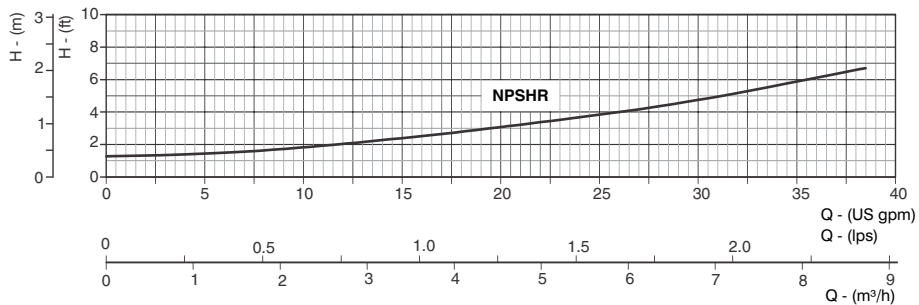


All Dimensions are in mm & Inches

DIMENSIONS & WEIGHT

| PUMP MODEL | APPROX. DIMENSIONS (mm / Inch) | | | | | | | | | | | | | | | APPROX. NETT WEIGHT WITHOUT PACKING (kg / lb) | | | | | | | | | | |
|------------|--------------------------------|------|-----|------|-----|------|------------|------|-------|------|-----|------|-------|------|-----|---|------|----|-------------|----|---------|----|------|----|------|----|
| | L1 MVC | | L2 | | | | L3 | | L4 | | X | | Y (Ø) | | Z | | PUMP | | | | MOTOR | | | | | |
| | | | 1Ph | | 3Ph | | MVS/N(PJE) | | MVS/N | | | | | | | | MVC | | MVS/N (PJE) | | MVS / N | | 1Ph | | 3Ph | |
| | mm | Inch | mm | Inch | mm | Inch | mm | Inch | mm | Inch | mm | Inch | mm | Inch | mm | Inch | kg | lb | kg | lb | kg | lb | kg | lb | kg | lb |
| MVS-020-01 | 287 | 11.3 | 222 | 8.7 | 217 | 8.5 | 267 | 10.5 | 291 | 11.5 | 113 | 4.4 | 140 | 5.5 | 145 | 5.7 | 21.8 | 48 | 16.8 | 37 | 18.1 | 40 | 9.1 | 20 | 8.2 | 18 |
| MVS-020-02 | 287 | 11.3 | 267 | 10.5 | 252 | 9.9 | 294 | 11.6 | 318 | 12.5 | 113 | 4.4 | 140 | 5.5 | 145 | 5.7 | 22.7 | 50 | 17.2 | 38 | 19.0 | 42 | 11.8 | 26 | 14.1 | 31 |
| MVS-020-03 | 314 | 12.4 | 267 | 10.5 | 252 | 9.9 | 321 | 12.6 | 345 | 13.6 | 113 | 4.4 | 140 | 5.5 | 145 | 5.7 | 23.1 | 51 | 18.1 | 40 | 19.5 | 43 | 11.8 | 26 | 14.1 | 31 |
| MVS-020-04 | 341 | 13.4 | 295 | 11.6 | 295 | 11.6 | 348 | 13.7 | 372 | 14.6 | 118 | 4.6 | 187 | 7.4 | 163 | 6.4 | 24.5 | 54 | 19.0 | 42 | 20.9 | 46 | 20.0 | 44 | 20.0 | 44 |
| MVS-020-05 | 368 | 14.5 | 320 | 12.6 | 295 | 11.6 | 375 | 14.8 | 399 | 15.7 | 118 | 4.6 | 187 | 7.4 | 163 | 6.4 | 24.9 | 55 | 20.0 | 44 | 21.8 | 48 | 24.0 | 53 | 20.0 | 44 |
| MVS-020-06 | 395 | 15.6 | 320 | 12.6 | 295 | 11.6 | 402 | 15.8 | 426 | 16.8 | 136 | 5.4 | 187 | 7.4 | 163 | 6.4 | 25.9 | 57 | 20.9 | 46 | 22.2 | 49 | 24.0 | 53 | 20.0 | 44 |
| MVS-020-07 | 440 | 17.3 | - | - | 320 | 12.6 | 447 | 17.6 | 471 | 18.5 | 136 | 5.4 | 187 | 7.4 | 163 | 6.4 | 26.8 | 59 | 21.3 | 47 | 23.1 | 51 | - | - | 21.3 | 47 |
| MVS-020-08 | 467 | 18.4 | - | - | 320 | 12.6 | 474 | 18.7 | 498 | 19.6 | 136 | 5.4 | 187 | 7.4 | 163 | 6.4 | 27.2 | 60 | 22.2 | 49 | 23.6 | 52 | - | - | 21.3 | 47 |
| MVS-020-10 | 521 | 20.5 | - | - | 354 | 13.9 | 528 | 20.8 | 552 | 21.7 | 136 | 5.4 | 187 | 7.4 | 163 | 6.4 | 28.6 | 63 | 23.6 | 52 | 24.9 | 55 | - | - | 27.7 | 61 |
| MVS-020-12 | 575 | 22.6 | - | - | 354 | 13.9 | 582 | 22.9 | 606 | 23.9 | 136 | 5.4 | 187 | 7.4 | 163 | 6.4 | 29.9 | 66 | 24.9 | 55 | 26.3 | 58 | - | - | 27.7 | 61 |
| MVS-020-14 | 629 | 24.8 | - | - | 385 | 15.2 | 636 | 25.0 | 660 | 26.0 | 204 | 8.0 | 204 | 8.0 | 197 | 7.8 | 32.7 | 72 | 27.2 | 60 | 29.0 | 64 | - | - | 41.3 | 91 |
| MVS-020-16 | 683 | 26.9 | - | - | 385 | 15.2 | 690 | 27.2 | 714 | 28.1 | 204 | 8.0 | 204 | 8.0 | 197 | 7.8 | 34.0 | 75 | 28.6 | 63 | 30.4 | 67 | - | - | 41.3 | 91 |

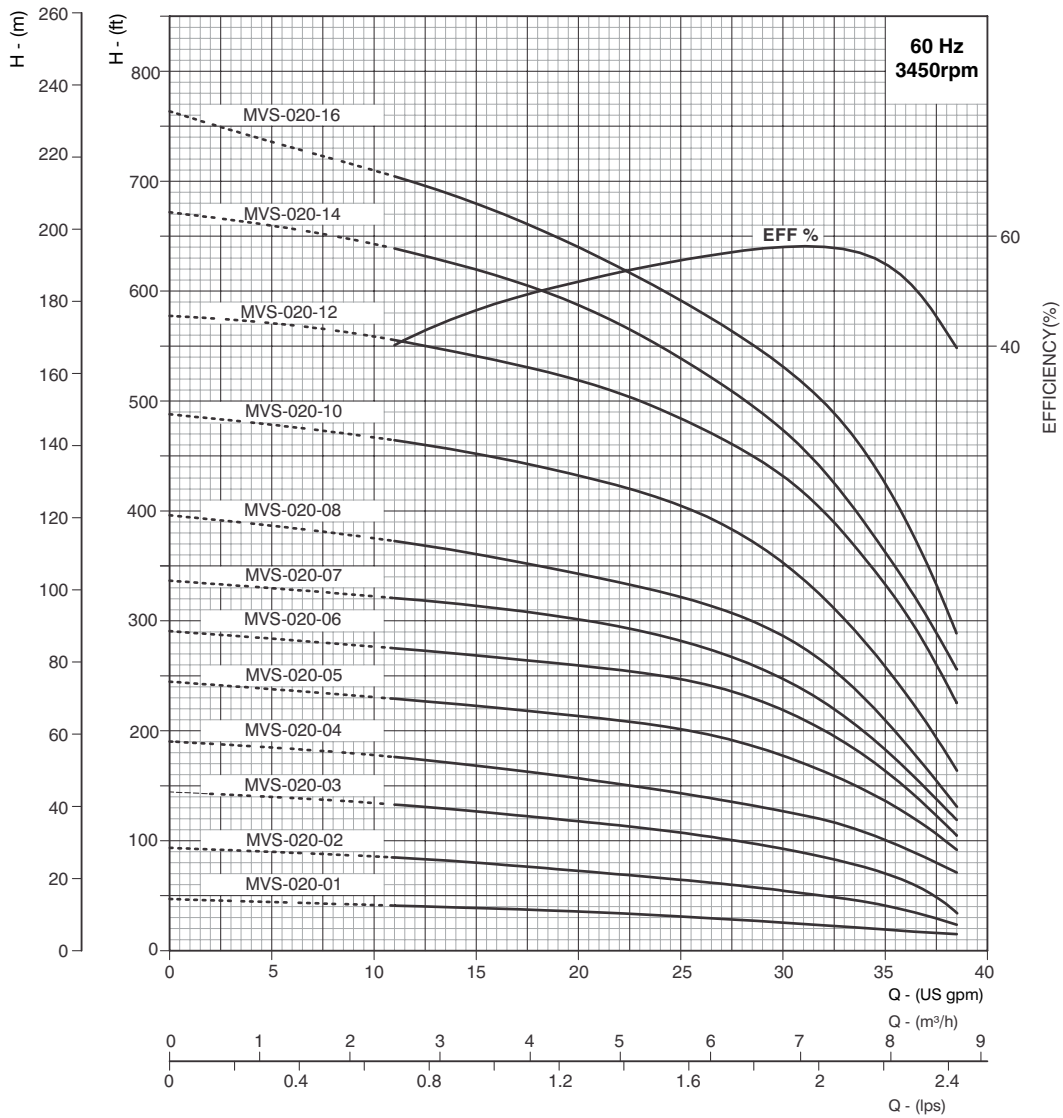
NPSHR CURVE



MV-020

PERFORMANCE CURVES

NOMINAL FLOW : 20 gpm

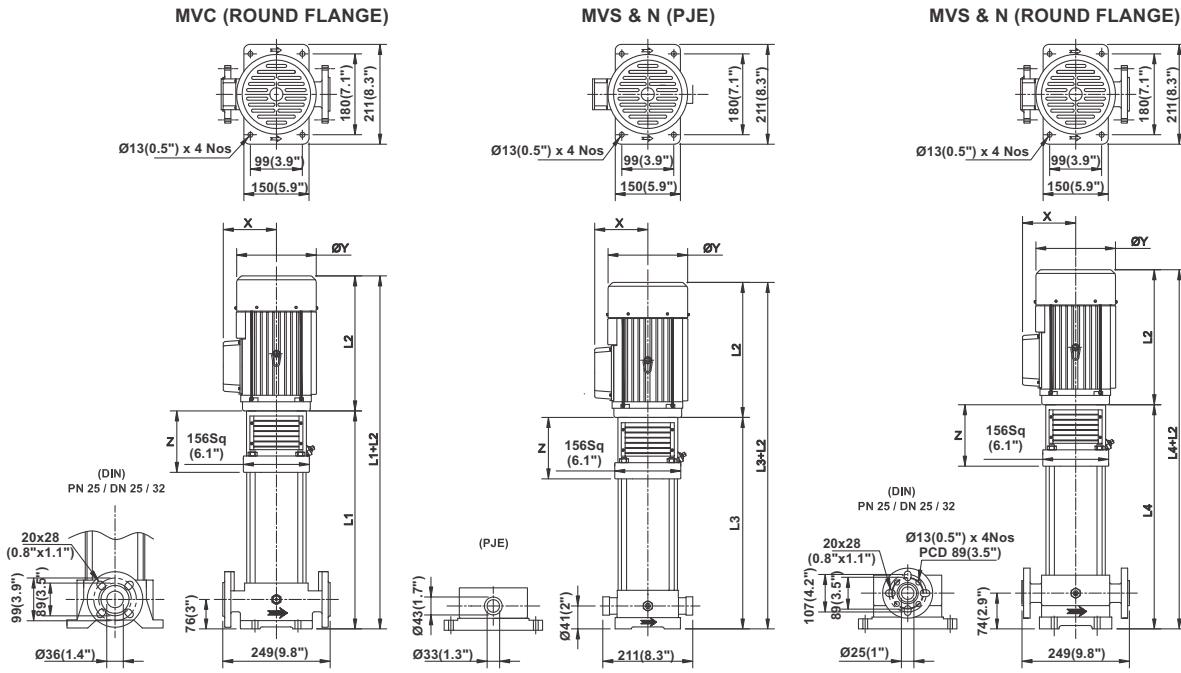


PERFORMANCE TABLE

PIPE SIZE : DN 25 / 32

| PUMP MODEL | MOTOR POWER | | DISCHARGE | | | | | | | |
|------------|-------------|-----|-------------------------------|-----|-----|-------|-----|-------|-----|-----|
| | kW | HP | m³/h | 0 | 2.5 | 3.4 | 4.5 | 5.7 | 8 | 8.6 |
| MVS-020-01 | 0.37 | 0.5 | US gpm | 0 | 11 | 15 | 20 | 25 | 35 | 38 |
| MVS-020-02 | 0.75 | 1.0 | TOTAL MANOMETRIC HEAD IN FEET | 47 | 40 | 39 | 36 | 32 | 20 | 16 |
| MVS-020-03 | 0.75 | 1.0 | | 94 | 84 | 80 | 71 | 65 | 41 | 26 |
| MVS-020-04 | 1.5 | 2.0 | | 144 | 132 | 127 | 119 | 107.5 | 70 | 42 |
| MVS020-05 | 2.2 | 3.0 | | 190 | 178 | 168 | 158 | 144 | 100 | 75 |
| MVS-020-06 | 2.2 | 3.0 | | 245 | 230 | 223 | 202 | 202 | 137 | 99 |
| MVS-020-07 | 3 | 4.0 | | 290 | 276 | 268.5 | 260 | 247 | 163 | 113 |
| MVS-020-08 | 3 | 4.0 | | 337 | 320 | 314 | 301 | 282 | 182 | 128 |
| MVS-020-10 | 4 | 5.5 | | 395 | 372 | 360 | 341 | 322 | 210 | 143 |
| MVS-020-12 | 4 | 5.5 | | 488 | 465 | 452 | 432 | 405 | 259 | 180 |
| MVS-020-14 | 5.5 | 7.5 | | 579 | 555 | 541 | 520 | 484 | 333 | 243 |
| MVS-020-16 | 5.5 | 7.5 | | 671 | 640 | 620 | 589 | 539 | 362 | 272 |
| | | | | 763 | 705 | 680 | 640 | 592 | 425 | 310 |

Replace the 3rd digit in model name as "C" for Cast Iron pump base & pump head models and "N" for AISI 316 construction.
 The given performance is same for Type - C, S, N
 In view of the continuous developments the Information / Descriptions / Specifications / Illustrations are subject to change without notice.

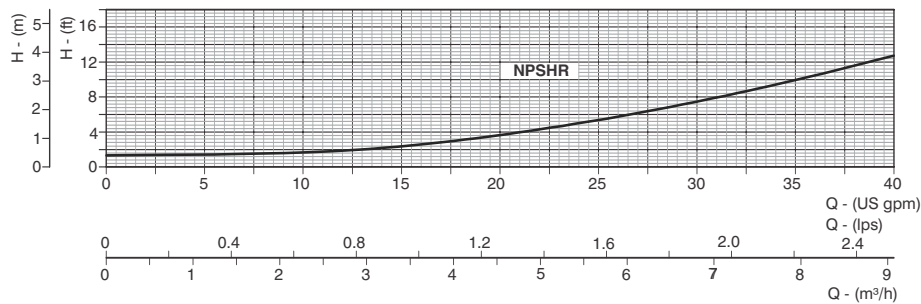


All Dimensions are in mm & Inches

DIMENSIONS & WEIGHT

| PUMP MODEL | APPROX. DIMENSIONS (mm / Inch) | | | | | | | | | | | | | | | APPROX. NETT WEIGHT WITHOUT PACKING (kg / lb) | | | | | | | | | | |
|------------|--------------------------------|------|-----|------|-----|------|------------|------|-------|------|-----|------|-------|------|-----|---|------|----|-------------|----|---------|----|------|----|------|-----|
| | L1 MVC | | L2 | | | | L3 | | L4 | | X | | Y (Ø) | | Z | | PUMP | | | | | | | | | |
| | | | 1Ph | | 3Ph | | MVS/N(PJE) | | MVS/N | | | | | | | | MVC | | MVS/N (PJE) | | MVS / N | | 1Ph | | 3Ph | |
| | mm | Inch | mm | Inch | mm | Inch | mm | Inch | mm | Inch | mm | Inch | mm | Inch | mm | Inch | kg | lb | kg | lb | kg | lb | kg | lb | kg | lb |
| MVS-025-02 | 287 | 11.3 | 242 | 9.5 | 232 | 9.1 | 267 | 10.5 | 291 | 11.5 | 113 | 4.4 | 140 | 5.5 | 145 | 5.7 | 22.7 | 50 | 17.2 | 38 | 19.0 | 42 | 10.0 | 22 | 9.1 | 20 |
| MVS-025-03 | 314 | 12.4 | 284 | 11.2 | 264 | 10.4 | 294 | 11.6 | 318 | 12.5 | 118 | 4.6 | 160 | 6.3 | 145 | 5.7 | 23.6 | 52 | 18.1 | 40 | 20.0 | 44 | 15.0 | 33 | 14.1 | 31 |
| MVS-025-04 | 341 | 13.4 | 284 | 11.2 | 264 | 10.4 | 321 | 12.6 | 345 | 13.6 | 118 | 4.6 | 160 | 6.3 | 145 | 5.7 | 24.5 | 54 | 19.0 | 42 | 20.9 | 46 | 15.0 | 33 | 14.1 | 31 |
| MVS-025-05 | 368 | 14.5 | 294 | 11.6 | 295 | 11.6 | 348 | 13.7 | 372 | 14.6 | 136 | 5.4 | 187 | 7.4 | 163 | 6.4 | 25.9 | 57 | 20.4 | 45 | 22.2 | 49 | 20.0 | 44 | 20.0 | 44 |
| MVS-025-06 | 395 | 15.6 | 320 | 12.6 | 295 | 11.6 | 375 | 14.8 | 399 | 15.7 | 136 | 5.4 | 187 | 7.4 | 163 | 6.4 | 26.8 | 59 | 21.3 | 47 | 23.1 | 51 | 24.0 | 53 | 20.0 | 44 |
| MVS-025-07 | 422 | 16.6 | 320 | 12.6 | 295 | 11.6 | 402 | 15.8 | 426 | 16.8 | 136 | 5.4 | 187 | 7.4 | 163 | 6.4 | 27.7 | 61 | 22.2 | 49 | 24.0 | 53 | 24.0 | 53 | 20.0 | 44 |
| MVS-025-08 | 449 | 17.7 | 320 | 12.6 | 295 | 11.6 | 429 | 16.9 | 453 | 17.8 | 136 | 5.4 | 187 | 7.4 | 163 | 6.4 | 28.6 | 63 | 23.1 | 51 | 24.9 | 55 | 24.0 | 53 | 20.0 | 44 |
| MVS-025-09 | 494 | 19.4 | 320 | 12.6 | 295 | 11.6 | 474 | 18.7 | 498 | 19.6 | 136 | 5.4 | 187 | 7.4 | 163 | 6.4 | 29.5 | 65 | 24.0 | 53 | 25.9 | 57 | 24.0 | 53 | 20.0 | 44 |
| MVS-025-10 | 521 | 20.5 | - | - | 320 | 12.6 | 501 | 19.7 | 525 | 20.7 | 136 | 5.4 | 187 | 7.4 | 163 | 6.4 | 30.4 | 67 | 24.9 | 55 | 26.8 | 59 | - | - | 24.0 | 53 |
| MVS-025-11 | 548 | 21.6 | - | - | 320 | 12.6 | 528 | 20.8 | 552 | 21.7 | 136 | 5.4 | 187 | 7.4 | 163 | 6.4 | 31.3 | 69 | 25.9 | 57 | 27.7 | 61 | - | - | 24.0 | 53 |
| MVS-025-12 | 575 | 22.6 | - | - | 320 | 12.6 | 555 | 21.9 | 579 | 22.8 | 136 | 5.4 | 187 | 7.4 | 163 | 6.4 | 32.2 | 71 | 26.8 | 59 | 28.6 | 63 | - | - | 24.0 | 53 |
| MVS-025-13 | 602 | 23.7 | - | - | 340 | 13.4 | 582 | 22.9 | 606 | 23.9 | 136 | 5.4 | 187 | 7.4 | 163 | 6.4 | 32.7 | 72 | 27.7 | 61 | 29.5 | 65 | - | - | 27.7 | 61 |
| MVS-025-14 | 629 | 24.8 | - | - | 340 | 13.4 | 609 | 24.0 | 633 | 24.9 | 136 | 5.4 | 187 | 7.4 | 163 | 6.4 | 33.6 | 74 | 28.6 | 63 | 30.4 | 67 | - | - | 27.7 | 61 |
| MVS-025-15 | 656 | 25.8 | - | - | 340 | 13.4 | 636 | 25.0 | 660 | 26.0 | 136 | 5.4 | 187 | 7.4 | 163 | 6.4 | 34.5 | 76 | 29.5 | 65 | 31.3 | 69 | - | - | 27.7 | 61 |
| MVS-025-16 | 683 | 26.9 | - | - | 340 | 13.4 | 663 | 26.1 | 687 | 27.0 | 136 | 5.4 | 187 | 7.4 | 163 | 6.4 | 35.4 | 78 | 30.4 | 67 | 32.2 | 71 | - | - | 27.7 | 61 |
| MVS-025-18 | 737 | 29.0 | - | - | 385 | 15.2 | 717 | 28.2 | 741 | 29.2 | 204 | 8.0 | 257 | 10.1 | 197 | 7.8 | 38.5 | 85 | 33.1 | 73 | 34.9 | 77 | - | - | 41.3 | 91 |
| MVS-025-20 | 791 | 31.1 | - | - | 385 | 15.2 | 771 | 30.4 | 795 | 31.3 | 204 | 8.0 | 257 | 10.1 | 197 | 7.8 | 40.4 | 89 | 34.9 | 77 | 36.7 | 81 | - | - | 41.3 | 91 |
| MVS-025-22 | 845 | 33.3 | - | - | 385 | 15.2 | 825 | 32.5 | 849 | 33.4 | 204 | 8.0 | 257 | 10.1 | 197 | 7.8 | 42.2 | 93 | 36.7 | 81 | 38.5 | 85 | - | - | 41.3 | 91 |
| MVS-025-24 | 899 | 35.4 | - | - | 424 | 16.7 | 879 | 34.6 | 903 | 35.6 | 204 | 8.0 | 257 | 10.1 | 197 | 7.8 | 43.5 | 96 | 38.5 | 85 | 40.4 | 89 | - | - | 47.6 | 105 |

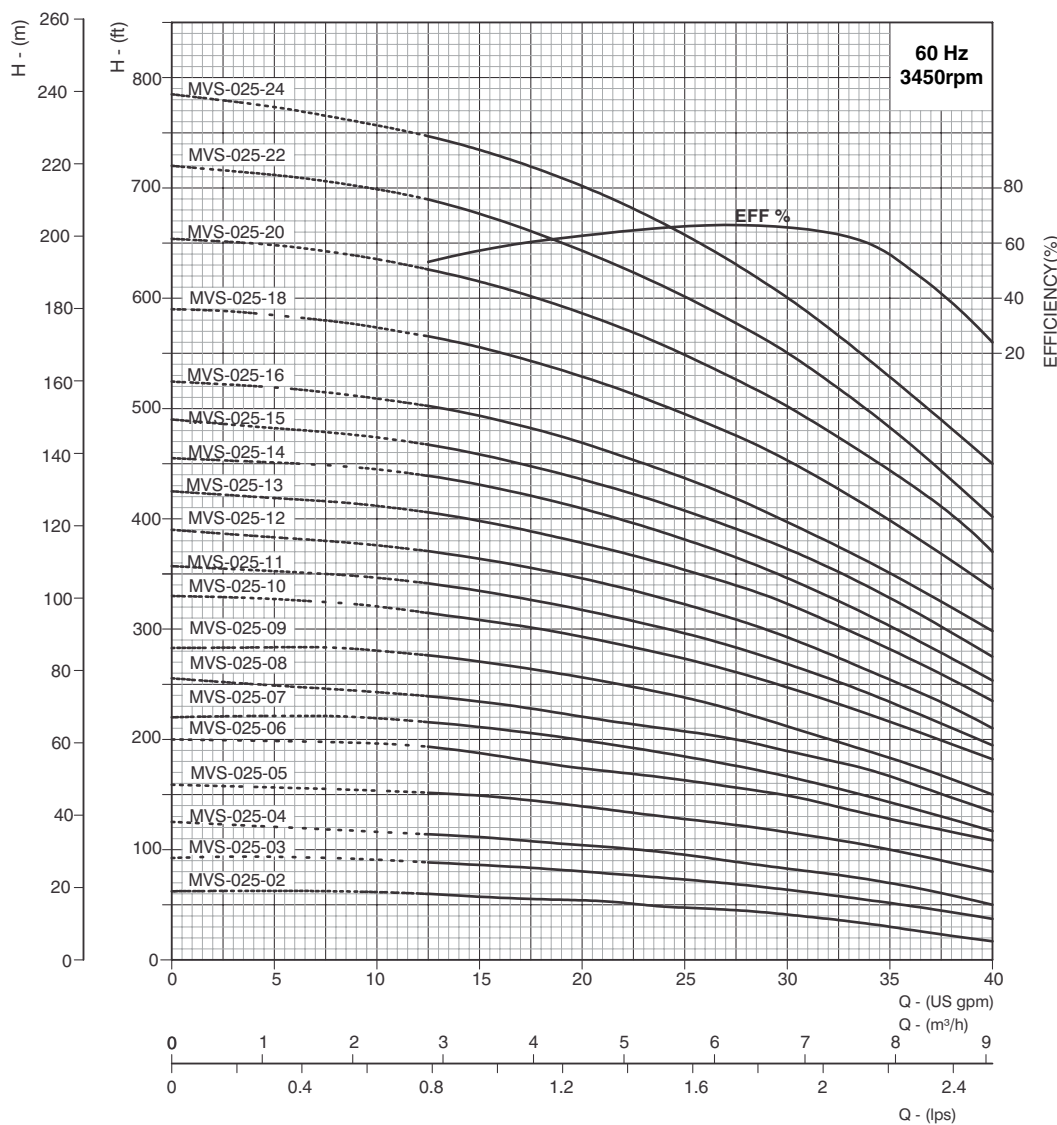
NPSHR CURVE



MV-025

PERFORMANCE CURVES

NOMINAL FLOW : 25 gpm

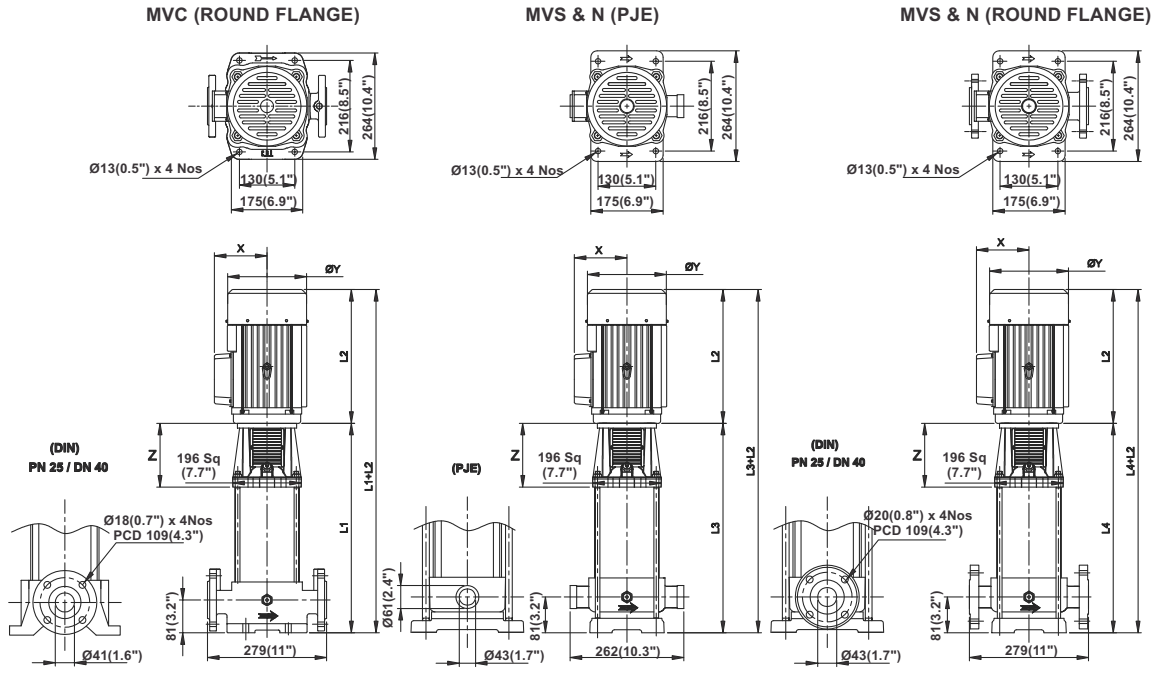


PERFORMANCE TABLE

PIPE SIZE : DN 25 / 32

| PUMP MODEL | MOTOR POWER | | DISCHARGE | | | | | | | | |
|------------|-------------|------|-------------------------------|-----|------|-----|-----|-----|-----|-----|-----|
| | kW | HP | m³/h | 0 | 2.8 | 4.6 | 5.7 | 6.8 | 8 | 9.1 | |
| MVS-025-02 | 0.55 | 0.75 | US gpm | 0 | 12.5 | 20 | 25 | 30 | 35 | 40 | |
| MVS-025-03 | 1.1 | 1.5 | TOTAL MANOMETRIC HEAD IN FEET | 62 | 60 | 54 | 48 | 41 | 30 | 18 | |
| MVS-025-04 | 1.1 | 1.5 | | 92 | 89 | 80 | 73 | 64 | 51 | 38 | |
| MVS-025-05 | 1.5 | 2.0 | | 125 | 114 | 104 | 95 | 82 | 70 | 50 | |
| MVS-025-06 | 2.2 | 3.0 | | 159 | 156 | 140 | 129 | 116 | 100 | 80 | |
| MVS-025-07 | 2.2 | 3.0 | | 200 | 193 | 174 | 162 | 150 | 129 | 109 | |
| MVS-025-08 | 2.2 | 3.0 | | 220 | 216 | 200 | 185 | 166 | 142 | 118 | |
| MVS-025-09 | 2.2 | 3.0 | | 255 | 240 | 220 | 208 | 190 | 166 | 135 | |
| MVS-025-10 | 2.2 | 3.0 | | 288 | 277 | 256 | 239 | 211 | 182 | 150 | |
| MVS-025-11 | 3.0 | 4.0 | | 330 | 315 | 292 | 273 | 248 | 217 | 182 | |
| MVS-025-12 | 3.0 | 4.0 | | 358 | 340 | 319 | 296 | 269 | 234 | 195 | |
| MVS-025-13 | 3.0 | 4.0 | | 390 | 370 | 347 | 322 | 292 | 254 | 210 | |
| MVS-025-14 | 4.0 | 5.5 | | 424 | 407 | 379 | 353 | 322 | 280 | 235 | |
| MVS-025-15 | 4.0 | 5.5 | | 455 | 440 | 410 | 380 | 345 | 302 | 253 | |
| MVS-025-16 | 4.0 | 5.5 | | 490 | 468 | 435 | 408 | 372 | 329 | 275 | |
| MVS-025-18 | 5.5 | 7.5 | | 525 | 502 | 470 | 439 | 398 | 350 | 300 | |
| MVS-025-20 | 5.5 | 7.5 | | 590 | 567 | 530 | 495 | 453 | 400 | 339 | |
| MVS-025-22 | 5.5 | 7.5 | | 653 | 632 | 587 | 549 | 501 | 445 | 370 | |
| MVS-025-24 | 7.5 | 10 | | 720 | 690 | 642 | 600 | 550 | 482 | 400 | |
| | | | | | 785 | 748 | 701 | 658 | 600 | 530 | 450 |

Replace the 3rd digit in model name as "C" for Cast Iron pump base & pump head models and "N" for AISI 316 construction.
 The given performance is same for Type - C, S, N
 In view of the continuous developments the Information / Descriptions / Specifications / Illustrations are subject to change without notice.

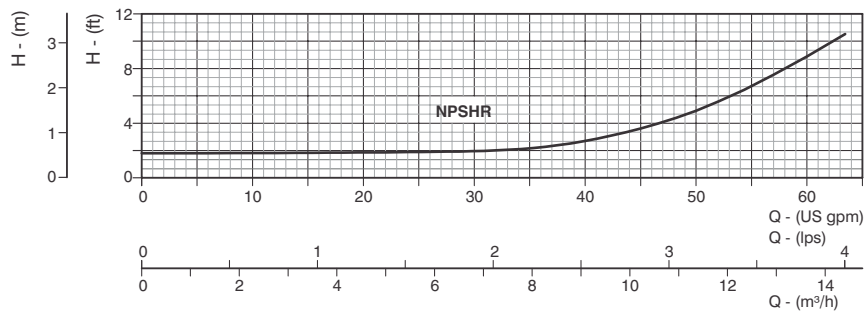


All Dimensions are in mm & Inches

DIMENSIONS & WEIGHT

| PUMP MODEL | APPROX. DIMENSIONS (mm / Inch) | | | | | | | | | | | | | | APPROX. NETT WEIGHT WITHOUT PACKING (kg / lb) | | | | | | | | | | | |
|------------|--------------------------------|------|-----|------|-----|------|------------|------|-------|------|-----|------|-------|------|---|------|------|-----|-------------|----|---------|-----|------|----|------|-----|
| | L1 | | L2 | | | | L3 | | L4 | | X | | Y (Ø) | | Z | | PUMP | | | | MOTOR | | | | | |
| | MVC | | 1Ph | | 3Ph | | MVS/N(PJE) | | MVS/N | | | | | | | | MVC | | MVS/N (PJE) | | MVS / N | | 1Ph | | 3Ph | |
| | mm | Inch | mm | Inch | mm | Inch | mm | Inch | mm | Inch | mm | Inch | mm | Inch | mm | Inch | kg | lb | kg | lb | kg | lb | kg | lb | kg | lb |
| MVS-040-01 | 347 | 13.7 | 267 | 10.5 | 252 | 9.9 | 353 | 13.9 | 353 | 13.9 | 113 | 4.4 | 140 | 5.5 | 145 | 5.7 | 32.7 | 72 | 27.7 | 61 | 28.6 | 63 | 11.8 | 26 | 14.1 | 31 |
| MVS-040-02 | 379 | 14.9 | 294 | 11.6 | 295 | 11.6 | 385 | 15.2 | 385 | 15.2 | 136 | 5.4 | 187 | 7.4 | 163 | 6.4 | 34.0 | 75 | 29.0 | 64 | 29.9 | 66 | 20.0 | 44 | 20.0 | 44 |
| MVS-040-03 | 411 | 16.2 | 320 | 12.6 | 295 | 11.6 | 417 | 16.4 | 417 | 16.4 | 136 | 5.4 | 187 | 7.4 | 163 | 6.4 | 34.9 | 77 | 29.9 | 66 | 30.8 | 68 | 24.0 | 53 | 20.0 | 44 |
| MVS-040-04 | 454 | 17.9 | - | - | 320 | 12.6 | 460 | 18.1 | 460 | 18.1 | 136 | 5.4 | 187 | 7.4 | 163 | 6.4 | 35.8 | 79 | 30.8 | 68 | 31.7 | 70 | - | - | 24.0 | 53 |
| MVS-040-05 | 486 | 19.1 | - | - | 320 | 12.6 | 492 | 19.4 | 492 | 19.4 | 136 | 5.4 | 187 | 7.4 | 163 | 6.4 | 36.7 | 81 | 31.7 | 70 | 33.1 | 73 | - | - | 24.0 | 53 |
| MVS-040-06 | 518 | 20.4 | - | - | 354 | 13.9 | 524 | 20.6 | 524 | 20.6 | 136 | 5.4 | 187 | 7.4 | 163 | 6.4 | 38.1 | 84 | 33.1 | 73 | 34.0 | 75 | - | - | 27.7 | 61 |
| MVS-040-08 | 582 | 22.9 | - | - | 385 | 15.2 | 588 | 23.1 | 588 | 23.1 | 204 | 8.0 | 257 | 10.1 | 197 | 7.8 | 44.0 | 97 | 39.0 | 86 | 39.9 | 88 | - | - | 41.3 | 91 |
| MVS-040-10 | 656 | 25.8 | - | - | 385 | 15.2 | 662 | 26.1 | 662 | 26.1 | 204 | 8.0 | 257 | 10.1 | 197 | 7.8 | 45.8 | 101 | 40.8 | 90 | 41.7 | 92 | - | - | 41.3 | 91 |
| MVS-040-12 | 720 | 28.3 | - | - | 424 | 16.7 | 726 | 28.6 | 726 | 28.6 | 204 | 8.0 | 257 | 10.1 | 197 | 7.8 | 48.1 | 106 | 43.1 | 95 | 44.0 | 97 | - | - | 47.6 | 105 |
| MVS-040-14 | 784 | 30.9 | - | - | 424 | 16.7 | 790 | 31.1 | 790 | 31.1 | 204 | 8.0 | 257 | 10.1 | 197 | 7.8 | 49.9 | 110 | 44.9 | 99 | 45.8 | 101 | - | - | 47.6 | 105 |

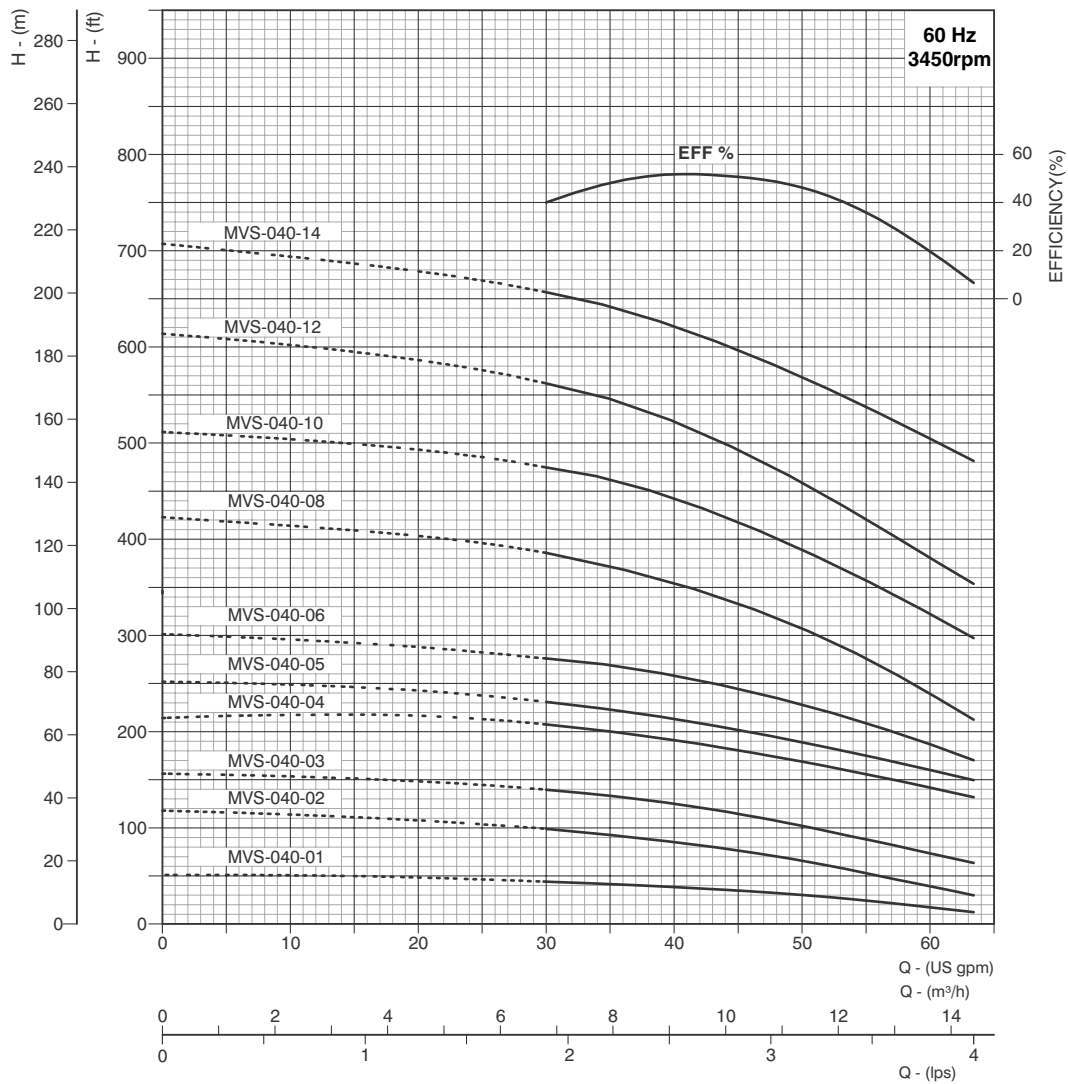
NPSHR CURVE



MV-040

PERFORMANCE CURVES

NOMINAL FLOW : 40 gpm



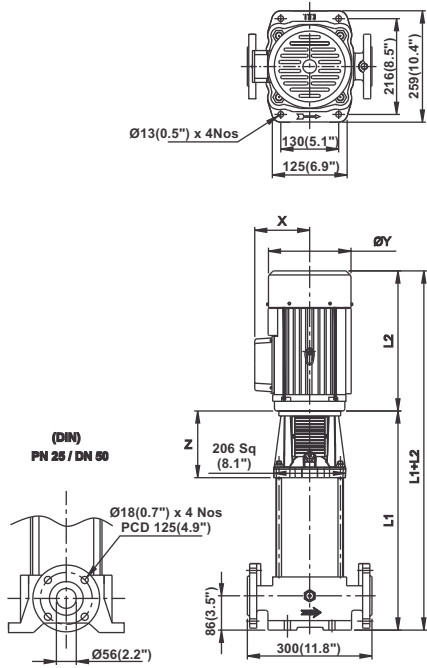
PERFORMANCE TABLE

PIPE SIZE : DN 40

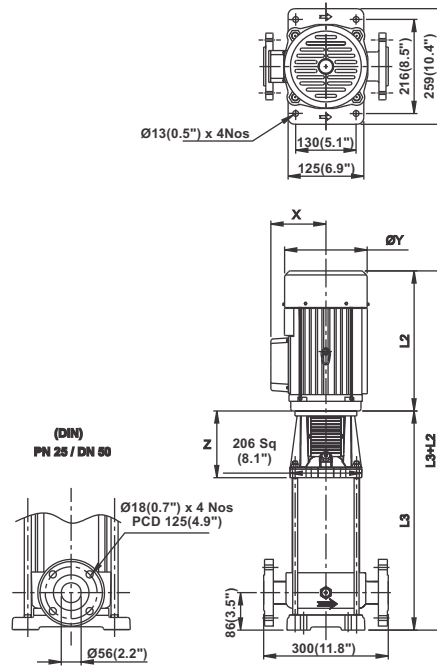
| PUMP MODEL | MOTOR POWER | | DISCHARGE | TOTAL MANOMETRIC HEAD IN FEET | | | | | |
|------------|-------------|-----|-----------|-------------------------------|-----|-----|------|------|------|
| | kW | HP | | 0 | 6.8 | 9.1 | 10.3 | 11.4 | 13.6 |
| | | | US gpm | 0 | 30 | 40 | 45 | 50 | 60 |
| MVS-040-01 | 0.75 | 1.0 | | 52 | 44 | 39 | 35 | 30 | 18 |
| MVS-040-02 | 1.5 | 2.0 | | 118 | 99 | 85 | 79 | 66 | 40 |
| MVS-040-03 | 2.2 | 3.0 | | 157 | 140 | 125 | 115 | 101 | 73 |
| MVS-040-04 | 3.0 | 4.0 | | 214 | 208 | 191 | 180 | 170 | 142 |
| MVS-040-05 | 3.0 | 4.0 | | 252 | 231 | 213 | 202 | 189 | 160 |
| MVS-040-06 | 4.0 | 5.5 | | 301 | 277 | 258 | 245 | 229 | 187 |
| MVS-040-08 | 5.5 | 7.5 | | 423 | 387 | 354 | 332 | 309 | 240 |
| MVS-040-10 | 5.5 | 7.5 | | 511 | 475 | 442 | 420 | 389 | 322 |
| MVS-040-12 | 7.5 | 10 | | 613 | 562 | 522 | 490 | 460 | 380 |
| MVS-040-14 | 7.5 | 10 | | 707 | 657 | 621 | 595 | 569 | 505 |

Replace the 3rd digit in model name as "C" for Cast Iron pump base & pump head models and "N" for AISI 316 construction.
 The given performance is same for Type - C, S, N
 In view of the continuous developments the Information / Descriptions / Specifications / Illustrations are subject to change without notice.

MVC (ROUND FLANGE)



MVS & N (ROUND FLANGE)

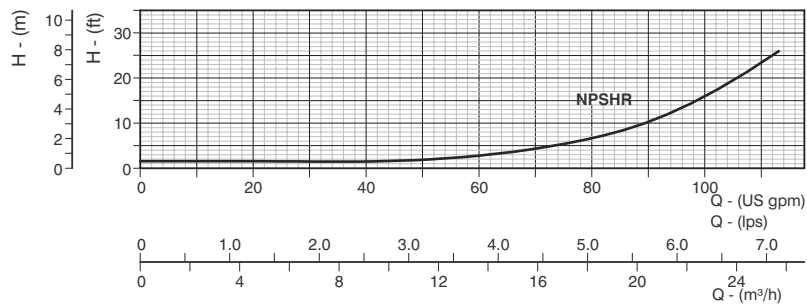


All Dimensions are in mm & Inches

DIMENSIONS & WEIGHT

| PUMP MODEL | APPROX. DIMENSIONS (mm / Inch) | | | | | | | | | | | | APPROX. NETT WEIGHT WITHOUT PACKING (kg / lb) | | | | | |
|------------|--------------------------------|------|-----|------|------------|------|-----|------|-------|------|-----|------|---|-----|------|-----|-------|-----|
| | L1 MVC (R) | | L2 | | L3 MVC (R) | | X | | Y (Ø) | | Z | | PUMP | | | | MOTOR | |
| | mm | Inch | mm | Inch | mm | Inch | mm | Inch | mm | Inch | mm | Inch | kg | lb | kg | lb | kg | lb |
| MVS-080-03 | 477 | 18.8 | 385 | 15.2 | 473 | 18.6 | 204 | 8.0 | 257 | 10.1 | 197 | 7.8 | 45.4 | 100 | 40.4 | 89 | 41.3 | 91 |
| MVS-080-04 | 522 | 20.6 | 424 | 16.7 | 518 | 20.4 | 204 | 8.0 | 257 | 10.1 | 197 | 7.8 | 46.3 | 102 | 41.3 | 91 | 47.6 | 105 |
| MVS-080-05 | 567 | 22.3 | 424 | 16.7 | 563 | 22.2 | 204 | 8.0 | 257 | 10.1 | 197 | 7.8 | 47.6 | 105 | 42.6 | 94 | 47.6 | 105 |
| MVS-080-06 | 612 | 24.1 | 495 | 19.5 | 608 | 23.9 | 223 | 8.8 | 312 | 12.3 | 225 | 8.9 | 64.9 | 143 | 59.9 | 132 | 121.5 | 268 |
| MVS-080-07 | 657 | 25.9 | 495 | 19.5 | 653 | 25.7 | 223 | 8.8 | 312 | 12.3 | 225 | 8.9 | 65.8 | 145 | 60.8 | 134 | 121.5 | 268 |
| MVS-080-08 | 702 | 27.6 | 495 | 19.5 | 698 | 27.5 | 223 | 8.8 | 312 | 12.3 | 225 | 8.9 | 66.7 | 147 | 61.7 | 136 | 130.6 | 288 |

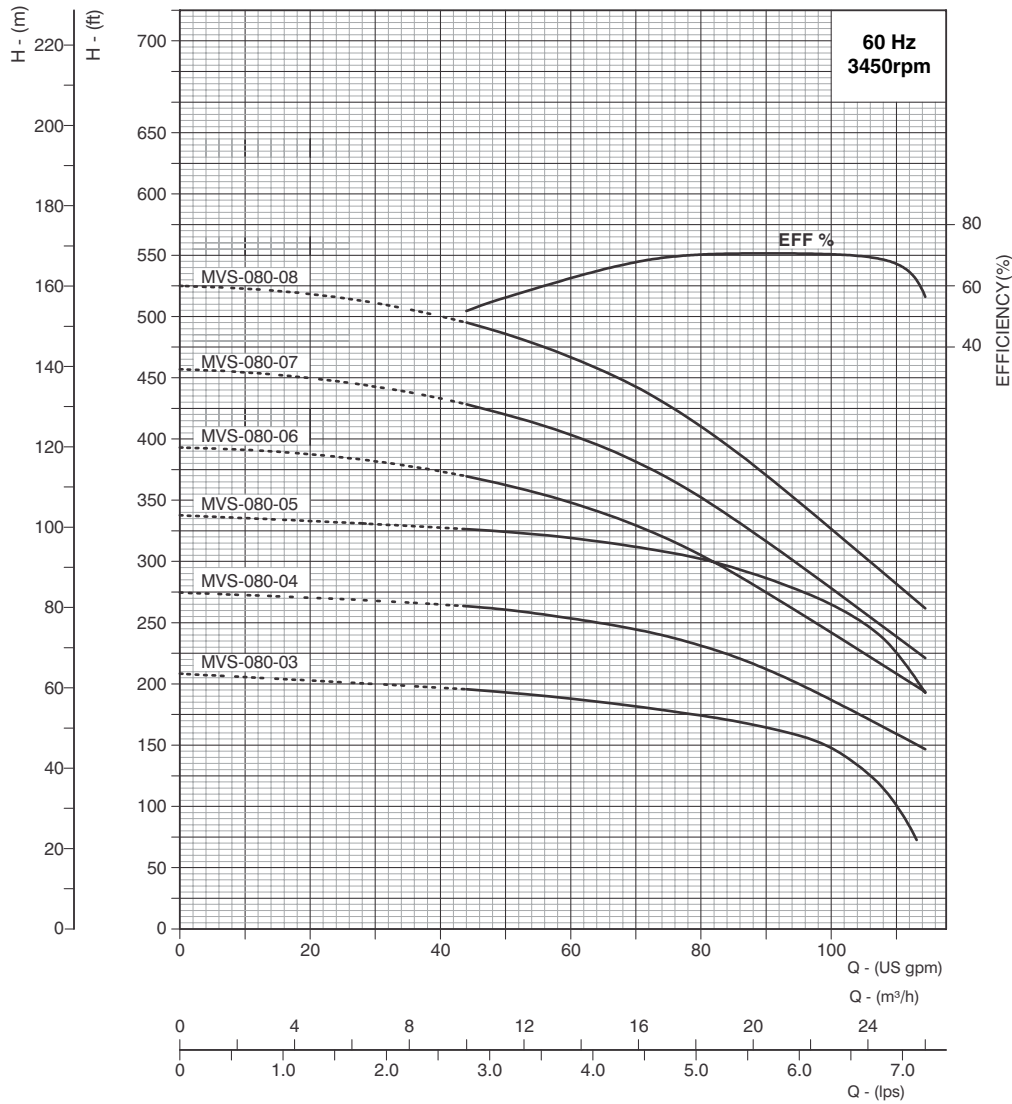
NPSHR CURVE



MV-080

PERFORMANCE CURVES

NOMINAL FLOW : 80 gpm



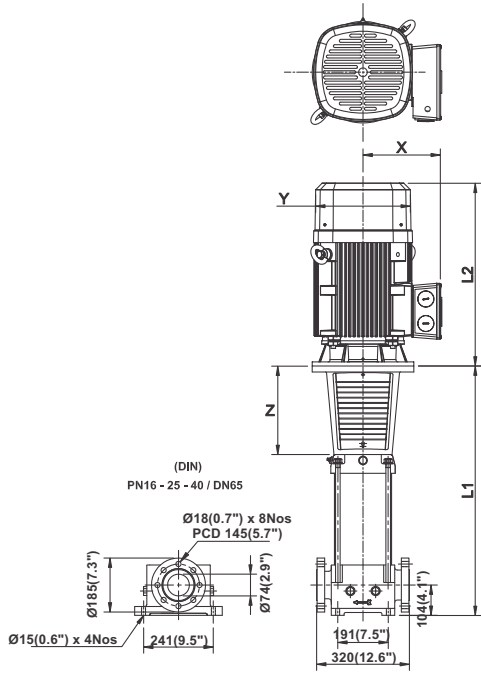
PERFORMANCE TABLE

PIPE SIZE : DN 50

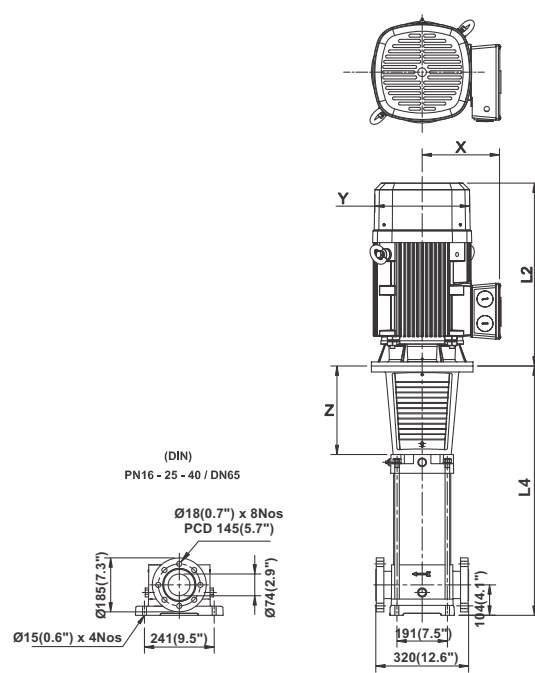
| PUMP MODEL | MOTOR POWER | | DISCHARGE | | | | | | | |
|------------|-------------|------|-------------------------------|-------|-----|-------|-------|------|-------|-------|
| | kW | HP | m³/h US gpm | 0 | 10 | 13.6 | 18.2 | 20.5 | 22.7 | 25 |
| MVS-080-03 | 5.5 | 7.5 | TOTAL MANOMETRIC HEAD IN FEET | 208 | 195 | 188.5 | 174.5 | 165 | 147.5 | 100 |
| MVS-080-04 | 7.5 | 10.0 | | 274.5 | 264 | 254 | 231 | 218 | 187 | 160 |
| MVS-080-05 | 7.5 | 10.0 | | 337.5 | 326 | 319 | 302.5 | 290 | 265 | 225 |
| MVS-080-06 | 11.0 | 15.0 | | 393 | 370 | 348 | 305 | 275 | 242 | 208.5 |
| MVS-080-07 | 11.0 | 15.0 | | 457 | 429 | 404 | 352.5 | 315 | 278.5 | 239 |
| MVS-080-08 | 15.0 | 20.0 | | 525 | 495 | 466.5 | 410 | 370 | 327 | 281.5 |

Replace the 3rd digit in model name as "C" for Cast Iron pump base & pump head models and "N" for AISI 316 construction.
The given performance is same for Type - C, S, N
In view of the continuous developments the Information / Descriptions / Specifications / Illustrations are subject to change without notice.

MVC (ROUND FLANGE)



MVS & N (ROUND FLANGE)

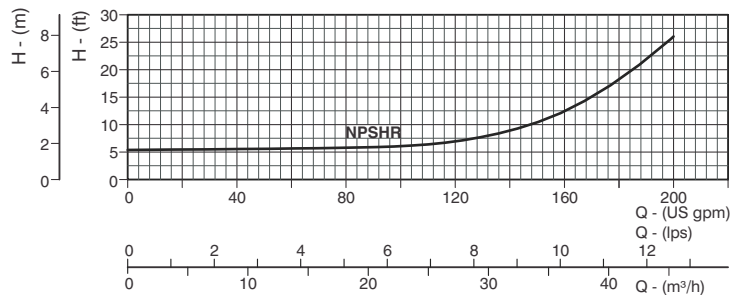


All Dimensions are in mm & Inches

DIMENSIONS & WEIGHT

| PUMP MODEL | APPROX. DIMENSIONS (mm / Inch) | | | | | | | | | | | | APPROX. NETT WEIGHT WITHOUT PACKING (kg / lb) | | | | | | | |
|-------------|--------------------------------|------|------|------|------|------|-----|------|----------|------|-----|------|---|-----|---------|-----|-------|----|-------|-----|
| | L1 & L4 MVC / S / N | | L2 | | | | X | | Y (Ø) | | Z | | PUMP | | | | MOTOR | | | |
| | | | 1 Ph | | 3 Ph | | | | | | | | MVC | | MVS / N | | 1Ph | | 3Ph | |
| | mm | Inch | mm | Inch | mm | Inch | mm | Inch | mm | Inch | mm | Inch | kg | lb | kg | lb | kg | lb | kg | lb |
| MVS-160-01A | 510 | 20.1 | 294 | 11.6 | 295 | 11.6 | 136 | 5.4 | 187 | 7.4 | 201 | 7.9 | 58.5 | 129 | 63.5 | 140 | 24 | 53 | 20.0 | 44 |
| MVS-160-01 | 510 | 20.1 | - | - | 354 | 13.9 | 136 | 5.4 | 187 | 7.4 | 201 | 7.9 | 58.5 | 129 | 63.5 | 140 | - | - | 27.7 | 61 |
| MVS-160-02B | 580 | 22.8 | - | - | 385 | 15.2 | 204 | 8.0 | 257 | 10.1 | 201 | 7.9 | 61.2 | 135 | 66.2 | 146 | - | - | 41.3 | 91 |
| MVS-160-02A | 580 | 22.8 | - | - | 385 | 15.2 | 204 | 8.0 | 257 | 10.1 | 201 | 7.9 | 61.2 | 135 | 66.2 | 146 | - | - | 41.3 | 91 |
| MVS-160-02 | 580 | 22.8 | - | - | 385 | 15.2 | 204 | 8.0 | 257 | 10.1 | 201 | 7.9 | 61.2 | 135 | 66.2 | 146 | - | - | 41.3 | 91 |
| MVS-160-03B | 650 | 25.6 | - | - | 424 | 16.7 | 204 | 8.0 | 257 | 10.1 | 201 | 7.9 | 63.5 | 140 | 68.5 | 151 | - | - | 47.6 | 105 |
| MVS-160-03 | 650 | 25.6 | - | - | 495 | 19.5 | 223 | 8.8 | 312 | 12.3 | 305 | 12.0 | 76.2 | 168 | 81.2 | 179 | - | - | 121.5 | 268 |
| MVS-160-04B | 720 | 28.3 | - | - | 495 | 19.5 | 223 | 8.8 | 312 | 12.3 | 305 | 12.0 | 79.4 | 175 | 84.4 | 186 | - | - | 121.5 | 268 |
| MVS-160-04 | 720 | 28.3 | - | - | 495 | 19.5 | 223 | 8.8 | 312 | 12.3 | 305 | 12.0 | 79.4 | 175 | 84.4 | 186 | - | - | 121.5 | 268 |
| MVS-160-05B | 895 | 35.2 | - | - | 495 | 19.5 | 223 | 8.8 | 312 | 12.3 | 305 | 12.0 | 82.5 | 182 | 87.5 | 193 | - | - | 130.6 | 288 |
| MVS-160-05 | 895 | 35.2 | - | - | 495 | 19.5 | 223 | 8.8 | 312 | 12.3 | 305 | 12.0 | 82.5 | 182 | 87.5 | 193 | - | - | 130.6 | 288 |
| MVS-160-06B | 965 | 38.0 | - | - | 495 | 19.5 | 223 | 8.8 | 312 | 12.3 | 305 | 12.0 | 85.3 | 188 | 90.2 | 199 | - | - | 150.6 | 332 |
| MVS-160-06 | 965 | 38.0 | - | - | 495 | 19.5 | 223 | 8.8 | 312 | 12.3 | 305 | 12.0 | 85.3 | 188 | 90.2 | 199 | - | - | 150.6 | 332 |
| MVS-160-07B | 1035 | 40.7 | - | - | 495 | 19.5 | 223 | 8.8 | 312 | 12.3 | 305 | 12.0 | 88.4 | 195 | 93.4 | 206 | - | - | 150.6 | 332 |
| MVS-160-07 | 1035 | 40.7 | - | - | 630 | 24.8 | 271 | 10.7 | 340 | 13.4 | 305 | 12.0 | 88.4 | 195 | 93.4 | 206 | - | - | 179.6 | 396 |
| MVS-160-08B | 1105 | 43.5 | - | - | 630 | 24.8 | 271 | 10.7 | 340 | 13.4 | 305 | 12.0 | 88.4 | 201 | 96.1 | 206 | - | - | 179.6 | 396 |
| MVS-160-08 | 1105 | 43.5 | - | - | 630 | 24.8 | 271 | 10.7 | 340 | 13.4 | 305 | 12.0 | 91.2 | 201 | 96.1 | 212 | - | - | 179.6 | 396 |
| MVS-160-09B | 1175 | 46.3 | - | - | 630 | 24.8 | 271 | 10.7 | 340 | 13.4 | 305 | 12.0 | 94.3 | 208 | 99.3 | 219 | - | - | 241.3 | 532 |
| MVS-160-09 | 1175 | 46.3 | - | - | 630 | 24.8 | 271 | 10.7 | 340 | 13.4 | 305 | 12.0 | 94.3 | 208 | 99.3 | 219 | - | - | 241.3 | 532 |
| MVS-160-10B | 1245 | 49.0 | - | - | 630 | 24.8 | 271 | 10.7 | 340 | 13.4 | 305 | 12.0 | 97.5 | 215 | 102.5 | 226 | - | - | 241.3 | 532 |
| MVS-160-10 | 1245 | 49.0 | - | - | 630 | 24.8 | 271 | 10.7 | 340 | 13.4 | 305 | 12.0 | 97.5 | 215 | 102.5 | 226 | - | - | 241.3 | 532 |
| MVS-160-11B | 1319 | 51.9 | - | - | 630 | 24.8 | 271 | 10.7 | 340 | 13.4 | 305 | 12.0 | 100.2 | 221 | 105.2 | 232 | - | - | 241.3 | 532 |

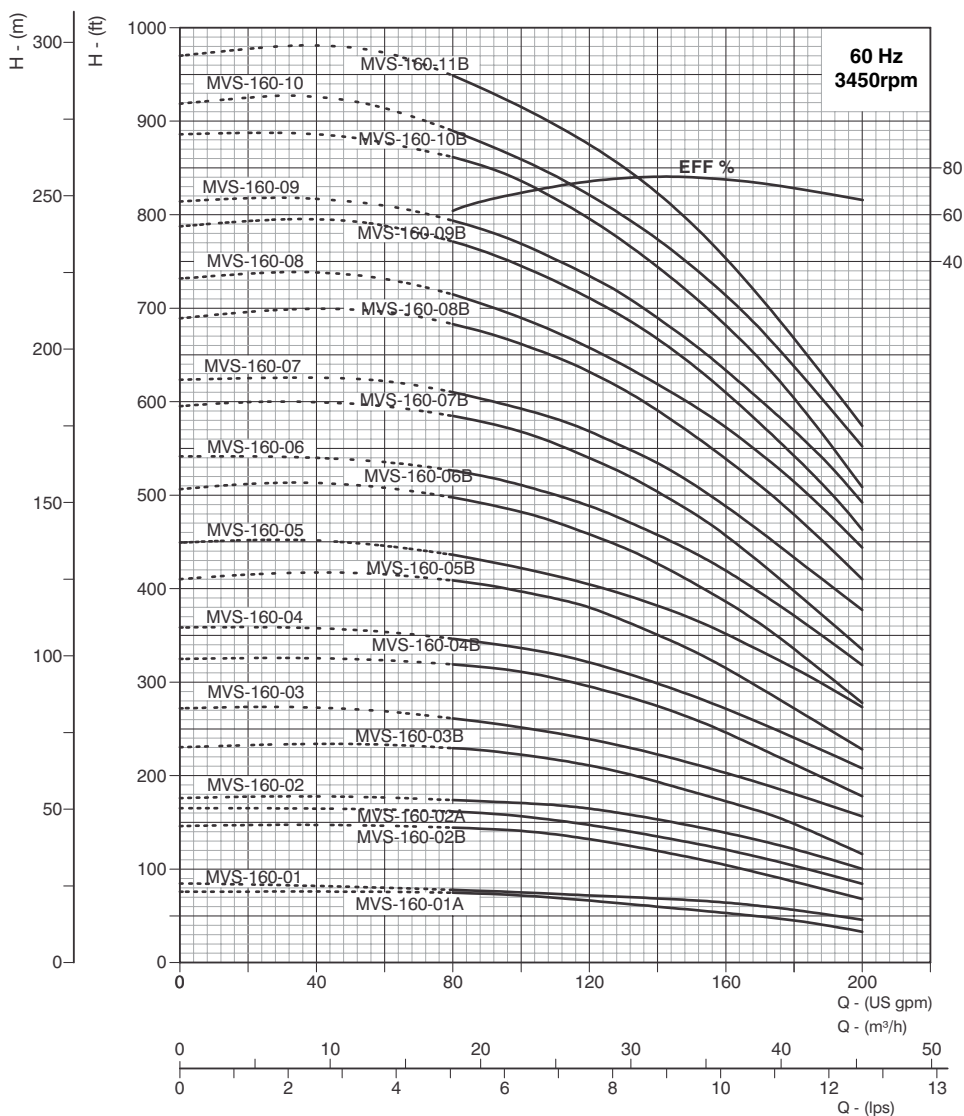
NPSHR CURVE



MV-160

PERFORMANCE CURVES

NOMINAL FLOW : 160 gpm



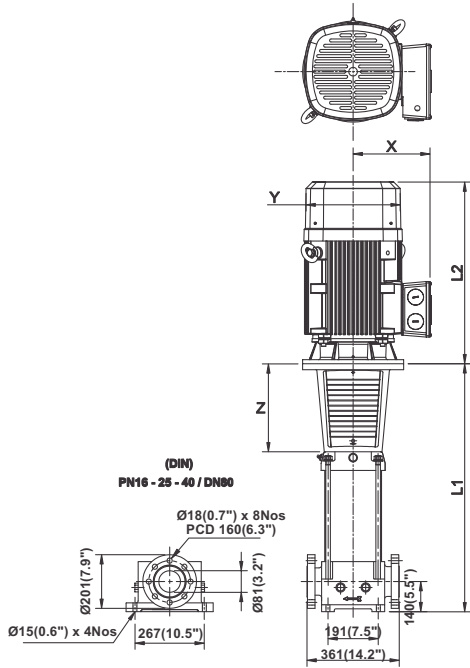
PERFORMANCE TABLE

PIPE SIZE : DN 65

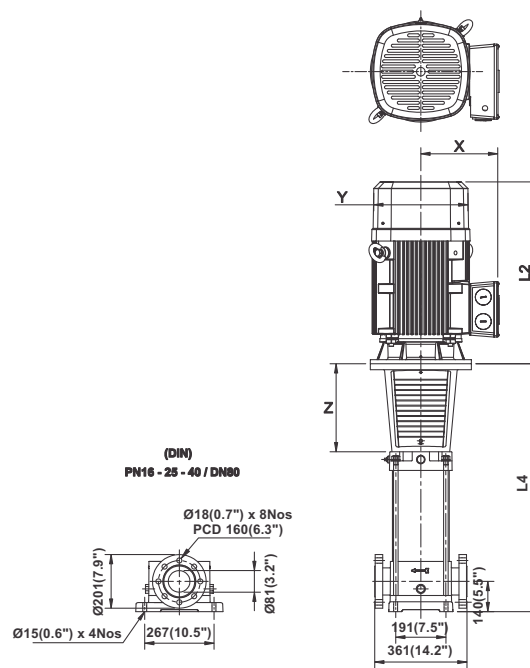
| PUMP MODEL | MOTOR POWER | | DISCHARGE | | | | | | |
|-------------|-------------|-----|-------------------------------|-----|------|------|------|------|------|
| | kW | HP | m³/h | 0 | 18.2 | 27.3 | 36.4 | 40.9 | 45.6 |
| MVS-160-01A | 2.2 | 3 | US gpm | 0 | 80 | 120 | 160 | 180 | 200 |
| MVS-160-01 | 4 | 5.5 | TOTAL MANOMETRIC HEAD IN FEET | 75 | 74 | 65 | 52 | 45 | 32 |
| MVS-160-02B | 5 | 7.5 | | 85 | 79 | 71 | 65 | 58 | 48 |
| MVS-160-02A | 5 | 7.5 | | 147 | 145 | 132 | 105 | 87 | 69 |
| MVS-160-02 | 5 | 7.5 | | 165 | 160 | 149 | 120 | 103 | 85 |
| MVS-160-03B | 7.5 | 10 | | 175 | 172 | 165 | 140 | 121 | 100 |
| MVS-160-03 | 11 | 15 | | 231 | 230 | 210 | 170 | 150 | 119 |
| MVS-160-03B | 11 | 15 | | 271 | 251 | 240 | 201 | 180 | 155 |
| MVS-160-04B | 11 | 15 | | 325 | 320 | 295 | 245 | 211 | 179 |
| MVS-160-04 | 11 | 15 | | 359 | 345 | 321 | 270 | 240 | 209 |
| MVS-160-05B | 15 | 20 | | 410 | 409 | 380 | 315 | 271 | 239 |
| MVS-160-05 | 15 | 20 | | 450 | 436 | 404 | 350 | 325 | 274 |
| MVS-160-06B | 18.5 | 25 | | 508 | 498 | 459 | 385 | 345 | 279 |
| MVS-160-06 | 18.5 | 25 | | 541 | 527 | 490 | 420 | 370 | 319 |
| MVS-160-07B | 18.5 | 25 | | 596 | 585 | 540 | 457 | 400 | 335 |
| MVS-160-07 | 22 | 30 | | 622 | 610 | 570 | 490 | 431 | 379 |
| MVS-160-08B | 22 | 30 | | 690 | 687 | 631 | 540 | 480 | 410 |
| MVS-160-08 | 22 | 30 | | 731 | 715 | 659 | 572 | 512 | 442 |
| MVS-160-09B | 30 | 40 | | 789 | 771 | 710 | 610 | 541 | 462 |
| MVS-160-09 | 30 | 40 | | 813 | 793 | 735 | 632 | 570 | 492 |
| MVS-160-10B | 30 | 40 | 885 | 861 | 795 | 680 | 601 | 510 | |
| MVS-160-10 | 30 | 40 | 920 | 890 | 820 | 710 | 640 | 551 | |
| MVS-160-11B | 30 | 40 | 970 | 950 | 877 | 751 | 670 | 572 | |

Replace the 3rd digit in model name as "C" for Cast Iron pump base & pump head models and "N" for AISI 316 construction.
 The given performance is same for Type - C, S, N
 In view of the continuous developments the Information / Descriptions / Specifications / Illustrations are subject to change without notice.

MVC (ROUND FLANGE)



MVS & N (ROUND FLANGE)

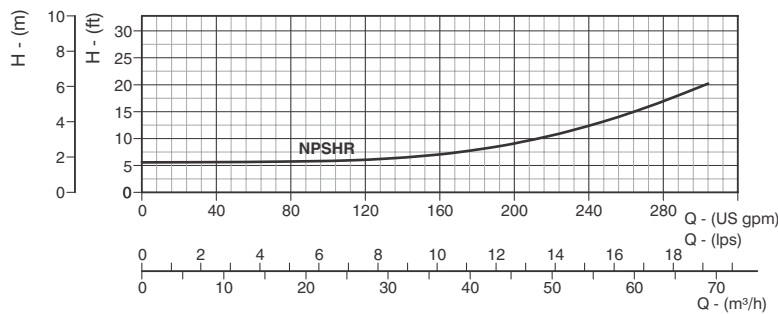


All Dimensions are in mm & Inches

DIMENSIONS & WEIGHT

| PUMP MODEL | APPROX. DIMENSIONS (mm / Inch) | | | | | | | | | | APPROX. NETT WEIGHT WITHOUT PACKING (kg / lb) | | | | | |
|-------------|--------------------------------|------|------------|------|-----|------|----------|------|-----|------|---|-----|-------|-----|-------|------|
| | L1 & L4 MVC / S / N | | L2 3 Ph | | X | | Y (Ø) | | Z | | PUMP | | MOTOR | | | |
| | mm | Inch | mm | Inch | mm | Inch | mm | Inch | mm | Inch | kg | lb | kg | lb | | |
| | | | | | | | | | | | | | 3Ph | | | |
| MVS-220-01A | 564 | 22.2 | 385 | 15.2 | 204 | 8.0 | 257 | 10.1 | 201 | 7.9 | 30.4 | 67 | 29.0 | 64 | 18.7 | 41.3 |
| MVS-220-01 | 564 | 22.2 | 385 | 15.2 | 204 | 8.0 | 257 | 10.1 | 201 | 7.9 | 30.4 | 67 | 29.0 | 64 | 18.7 | 41.3 |
| MVS-220-02B | 644 | 25.4 | 495 | 19.5 | 223 | 8.8 | 312 | 12.3 | 305 | 12.0 | 38.1 | 84 | 36.7 | 81 | 55.3 | 122 |
| MVS-220-02A | 644 | 25.4 | 495 | 19.5 | 223 | 8.8 | 312 | 12.3 | 305 | 12.0 | 38.1 | 84 | 36.7 | 81 | 55.3 | 122 |
| MVS-220-02 | 644 | 25.4 | 495 | 19.5 | 223 | 8.8 | 312 | 12.3 | 305 | 12.0 | 38.1 | 84 | 36.7 | 81 | 55.3 | 122 |
| MVS-220-03B | 828 | 32.6 | 495 | 19.5 | 223 | 8.8 | 312 | 12.3 | 305 | 12.0 | 40.4 | 89 | 39.0 | 86 | 59.4 | 131 |
| MVS-220-03A | 828 | 32.6 | 495 | 19.5 | 223 | 8.8 | 312 | 12.3 | 305 | 12.0 | 40.4 | 89 | 39.0 | 86 | 68.5 | 151 |
| MVS-220-03 | 828 | 32.6 | 495 | 19.5 | 223 | 8.8 | 312 | 12.3 | 305 | 12.0 | 40.4 | 89 | 39.0 | 86 | 68.5 | 151 |
| MVS-220-04B | 908 | 35.7 | 630 | 24.8 | 271 | 10.7 | 340 | 13.4 | 305 | 12.0 | 42.2 | 93 | 40.8 | 90 | 81.6 | 180 |
| MVS-220-04A | 908 | 35.7 | 630 | 24.8 | 271 | 10.7 | 340 | 13.4 | 305 | 12.0 | 42.2 | 93 | 40.8 | 90 | 81.6 | 180 |
| MVS-220-04 | 908 | 35.7 | 630 | 24.8 | 271 | 10.7 | 340 | 13.4 | 305 | 12.0 | 42.2 | 93 | 40.8 | 90 | 81.6 | 180 |
| MVS-220-05B | 988 | 38.9 | 630 | 24.8 | 271 | 10.7 | 340 | 13.4 | 305 | 12.0 | 44.0 | 97 | 42.6 | 94 | 109.8 | 242 |
| MVS-220-05A | 988 | 38.9 | 630 | 24.8 | 271 | 10.7 | 340 | 13.4 | 305 | 12.0 | 44.0 | 97 | 42.6 | 94 | 109.8 | 242 |
| MVS-220-05 | 988 | 38.9 | 630 | 24.8 | 271 | 10.7 | 340 | 13.4 | 305 | 12.0 | 44.0 | 97 | 42.6 | 94 | 109.8 | 242 |
| MVS-220-06B | 1068 | 42.0 | 650 | 25.6 | 276 | 10.9 | 395 | 15.6 | 305 | 12.0 | 47.2 | 104 | 45.8 | 101 | 117.0 | 258 |
| MVS-220-06 | 1068 | 42.0 | 650 | 25.6 | 276 | 10.9 | 395 | 15.6 | 305 | 12.0 | 47.2 | 104 | 45.8 | 101 | 117.0 | 258 |
| MVS-220-07B | 1148 | 45.2 | 650 | 25.6 | 276 | 10.9 | 395 | 15.6 | 305 | 12.0 | 49.4 | 109 | 48.1 | 106 | 117.0 | 258 |
| MVS-220-07 | 1148 | 45.2 | 695 | 27.4 | 297 | 11.7 | 435 | 17.1 | 305 | 12.0 | 49.4 | 109 | 48.1 | 106 | 145.1 | 320 |
| MVS-220-08A | 1228 | 48.3 | 695 | 27.4 | 297 | 11.7 | 435 | 17.1 | 305 | 12.0 | 51.2 | 113 | 49.9 | 110 | 145.1 | 320 |

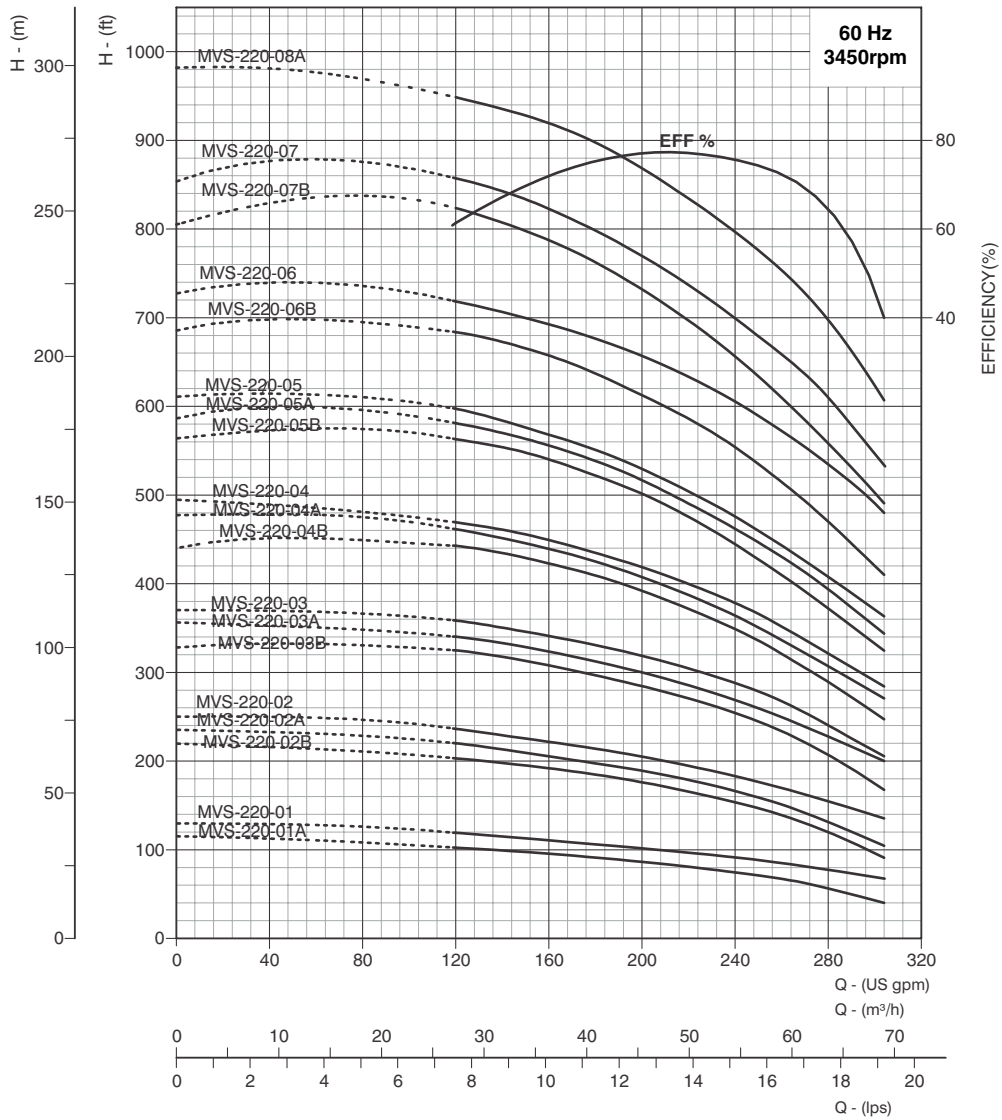
NPSHR CURVE



MV-220

PERFORMANCE CURVES

NOMINAL FLOW : 220 gpm



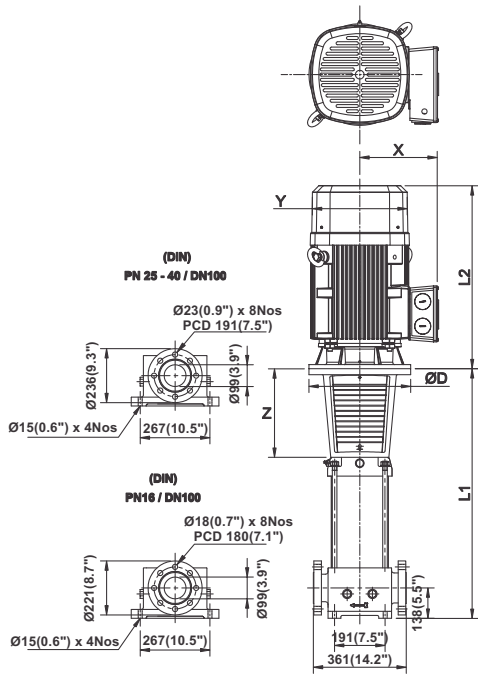
PERFORMANCE TABLE

PIPE SIZE : DN 80

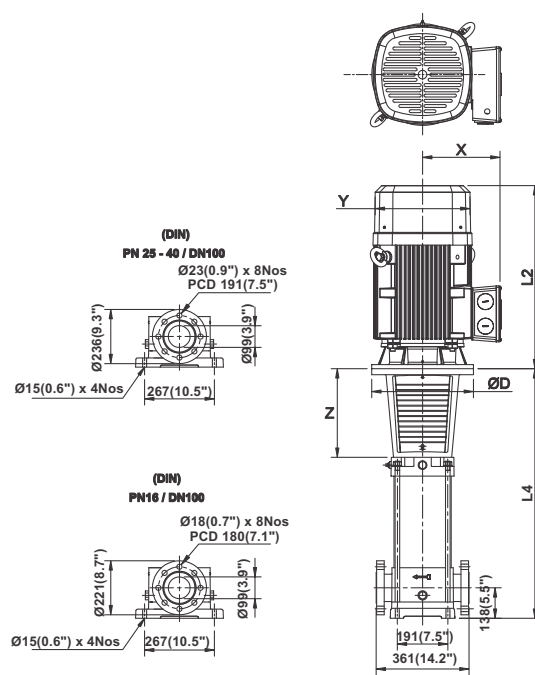
| PUMP MODEL | MOTOR POWER | | DISCHARGE | | | | | | | |
|-------------|-------------|-----|-------------------------------|-----|------|------|------|-----|------|------|
| | kW | HP | m³/h | 0 | 23.3 | 36.4 | 45.5 | 50 | 54.6 | 69.1 |
| MVS-220-01A | 5.5 | 7.5 | US gpm | 0 | 120 | 160 | 200 | 220 | 240 | 304 |
| MVS-220-01 | 5.5 | 7.5 | TOTAL MANOMETRIC HEAD IN FEET | 116 | 102 | 97 | 87 | 80 | 75 | 40 |
| MVS-220-02B | 11 | 15 | | 130 | 120 | 110 | 101 | 98 | 91 | 70 |
| MVS-220-02A | 11 | 15 | | 220 | 203 | 192 | 179 | 166 | 155 | 90 |
| MVS-220-02 | 11 | 15 | | 237 | 220 | 205 | 190 | 180 | 168 | 105 |
| MVS-220-03B | 15 | 20 | | 250 | 237 | 221 | 205 | 194 | 182 | 135 |
| MVS-220-03A | 18.5 | 25 | | 328 | 323 | 308 | 284 | 271 | 255 | 170 |
| MVS-220-03 | 18.5 | 25 | | 358 | 340 | 322 | 300 | 286 | 270 | 200 |
| MVS-220-04B | 22 | 30 | | 370 | 359 | 341 | 320 | 304 | 290 | 208 |
| MVS-220-04A | 22 | 30 | | 440 | 442 | 422 | 392 | 371 | 350 | 250 |
| MVS-220-04 | 22 | 30 | | 479 | 460 | 440 | 410 | 390 | 364 | 270 |
| MVS-220-05B | 30 | 40 | | 496 | 470 | 450 | 420 | 400 | 380 | 285 |
| MVS-220-05A | 30 | 40 | | 565 | 562 | 540 | 500 | 476 | 442 | 325 |
| MVS-220-05 | 30 | 40 | | 587 | 580 | 555 | 518 | 491 | 460 | 345 |
| MVS-220-06B | 37 | 50 | | 612 | 598 | 568 | 530 | 504 | 478 | 365 |
| MVS-220-06 | 37 | 50 | | 685 | 684 | 658 | 612 | 587 | 555 | 410 |
| MVS-220-07B | 37 | 50 | | 728 | 720 | 691 | 658 | 632 | 608 | 480 |
| MVS-220-07 | 45 | 60 | | 805 | 823 | 787 | 730 | 698 | 658 | 490 |
| MVS-220-08A | 45 | 60 | | 855 | 858 | 822 | 770 | 739 | 700 | 537 |
| | | | 982 | 950 | 920 | 870 | 834 | 798 | 610 | |

Replace the 3rd digit in model name as "C" for Cast Iron pump base & pump head models and "N" for AISI 316 construction.
 The given performance is same for Type - C, S, N
 In view of the continuous developments the Information / Descriptions / Specifications / Illustrations are subject to change without notice.

MVC (ROUND FLANGE)



MVS & N (ROUND FLANGE)

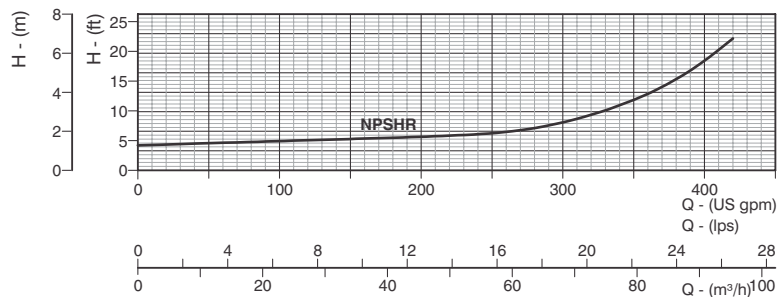


All Dimensions are in mm & Inches

DIMENSIONS & WEIGHT

| PUMP MODEL | APPROX. DIMENSIONS (mm / Inch) | | | | | | | | | | APPROX. NETT WEIGHT WITHOUT PACKING (kg / lb) | | | | | |
|-------------|--------------------------------|------|------------|------|-----|------|-------|------|-----|------|---|-----|-------|-----|--------------|-----|
| | L1 & L4 MVC / S / N | | L2 3 Ph | | X | | Y (Ø) | | Z | | PUMP | | | | MOTOR 3Ph | |
| | mm | Inch | mm | Inch | mm | Inch | mm | Inch | mm | Inch | kg | lb | kg | lb | kg | lb |
| | | | | | | | | | | | | | | | | |
| MVS-330-01A | 564 | 22.2 | 424 | 16.7 | 204 | 8.0 | 257 | 10.1 | 201 | 7.9 | 97.5 | 215 | 80.3 | 177 | 41.3 | 91 |
| MVS-330-01 | 564 | 22.2 | 495 | 19.5 | 223 | 8.8 | 312 | 12.3 | 305 | 12.0 | 97.5 | 215 | 94.3 | 208 | 121.5 | 268 |
| MVS-330-02B | 644 | 25.4 | 495 | 19.5 | 223 | 8.8 | 312 | 12.3 | 305 | 12.0 | 100.2 | 221 | 97.5 | 215 | 130.6 | 288 |
| MVS-330-02A | 644 | 25.4 | 495 | 19.5 | 223 | 8.8 | 312 | 12.3 | 305 | 12.0 | 100.2 | 221 | 97.5 | 215 | 150.6 | 332 |
| MVS-330-02 | 644 | 25.4 | 630 | 24.8 | 271 | 10.7 | 340 | 13.4 | 305 | 12.0 | 100.2 | 221 | 97.5 | 215 | 179.6 | 396 |
| MVS-330-03B | 828 | 32.6 | 630 | 24.8 | 271 | 10.7 | 340 | 13.4 | 305 | 12.0 | 104.3 | 230 | 101.1 | 223 | 179.6 | 396 |
| MVS-330-03A | 828 | 32.6 | 630 | 24.8 | 271 | 10.7 | 340 | 13.4 | 305 | 12.0 | 104.3 | 230 | 101.1 | 223 | 241.3 | 532 |
| MVS-330-03 | 828 | 32.6 | 630 | 24.8 | 271 | 10.7 | 340 | 13.4 | 305 | 12.0 | 104.3 | 230 | 101.1 | 223 | 241.3 | 532 |
| MVS-330-04B | 908 | 35.7 | 630 | 24.8 | 271 | 10.7 | 340 | 13.4 | 305 | 12.0 | 111.1 | 245 | 108.4 | 239 | 257.6 | 568 |
| MVS-330-04A | 908 | 35.7 | 650 | 25.6 | 276 | 10.9 | 395 | 15.6 | 305 | 12.0 | 111.1 | 245 | 108.4 | 239 | 257.6 | 568 |
| MVS-330-04 | 908 | 35.7 | 650 | 25.6 | 276 | 10.9 | 395 | 15.6 | 305 | 12.0 | 111.1 | 245 | 108.4 | 239 | 319.3 | 704 |
| MVS-330-05B | 988 | 38.9 | 695 | 27.4 | 276 | 10.9 | 435 | 17.1 | 305 | 12.0 | 115.2 | 254 | 112.5 | 248 | 319.3 | 704 |

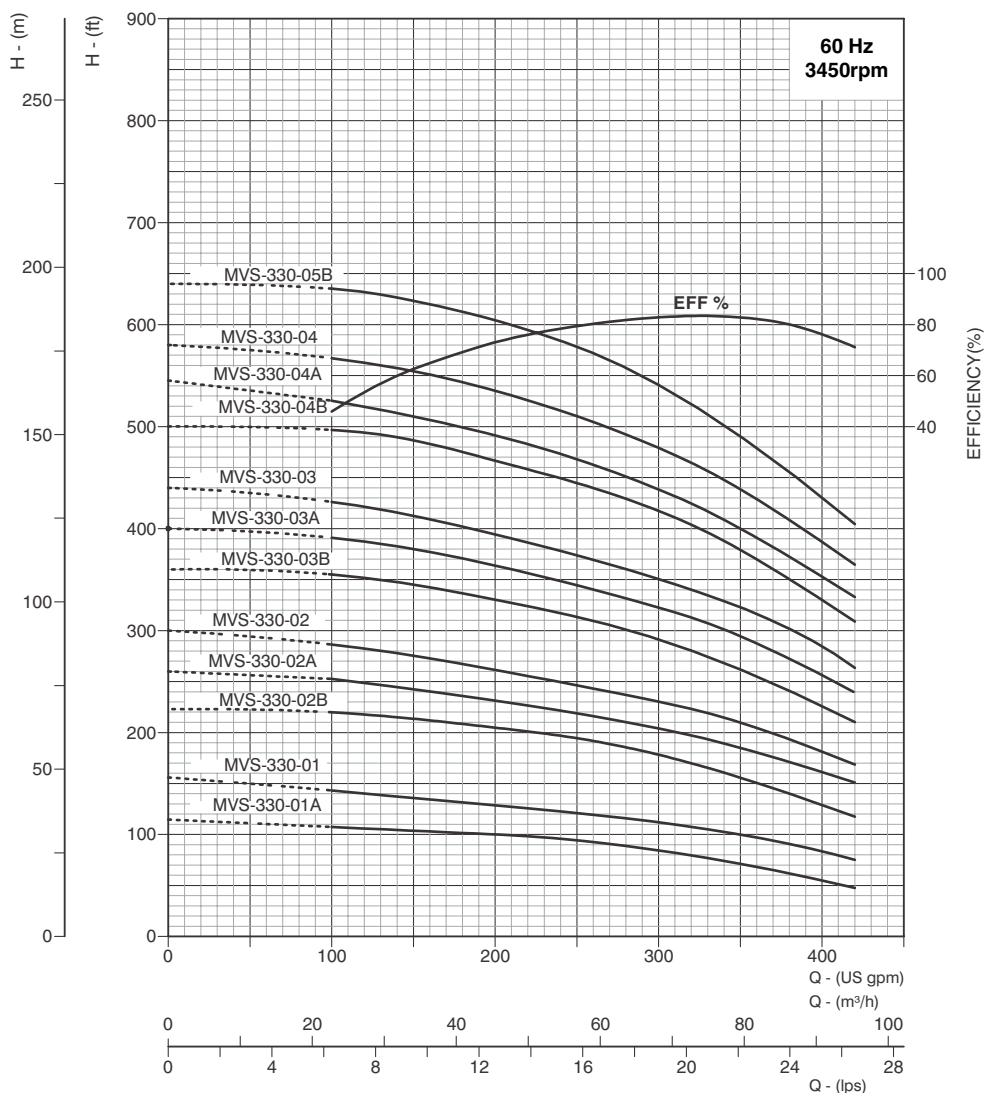
NPSHR CURVE



MV-330

PERFORMANCE CURVES

NOMINAL FLOW : 330 gpm



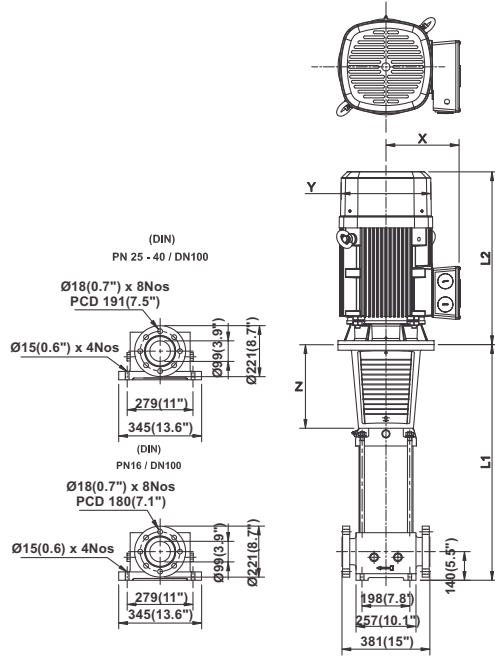
PERFORMANCE TABLE

PIPE SIZE : DN 100

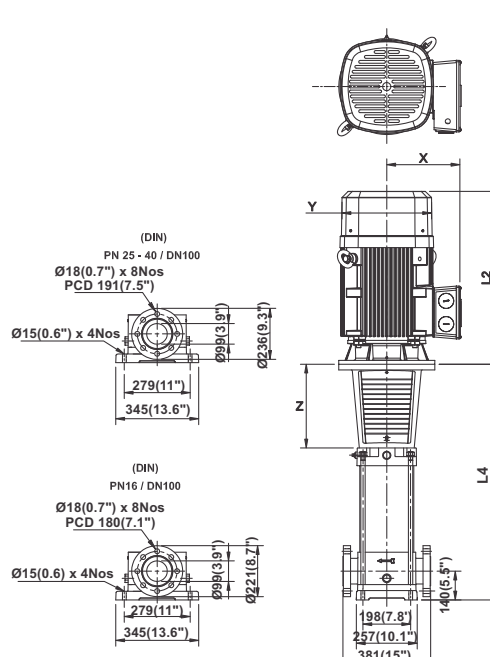
| PUMP MODEL | MOTOR POWER | | DISCHARGE | | | | | | | |
|-------------|-------------|----|-------------------------------|-----|------|------|------|-----|------|------|
| | kW | HP | m³/h | 0 | 22.7 | 45.6 | 68.2 | 75 | 90.9 | 95.6 |
| | | | US gpm | 0 | 100 | 200 | 300 | 330 | 400 | 420 |
| MVS-330-01A | 7.5 | 10 | TOTAL MANOMETRIC HEAD IN FEET | 116 | 108 | 100 | 88 | 78 | 55 | 48 |
| MVS-330-01 | 11 | 15 | | 157 | 143 | 128 | 112 | 105 | 82 | 78 |
| MVS-330-02B | 15 | 20 | | 224 | 220 | 204 | 178 | 165 | 130 | 118 |
| MVS-330-02A | 18.5 | 25 | | 260 | 252 | 234 | 203 | 193 | 160 | 150 |
| MVS-330-02 | 22 | 30 | | 300 | 284 | 260 | 230 | 220 | 180 | 170 |
| MVS-330-03B | 22 | 30 | | 360 | 353 | 330 | 291 | 272 | 224 | 210 |
| MVS-330-03A | 30 | 40 | | 400 | 390 | 363 | 322 | 309 | 255 | 240 |
| MVS-330-03 | 30 | 40 | | 440 | 426 | 392 | 350 | 334 | 284 | 262 |
| MVS-330-04B | 37 | 50 | | 500 | 496 | 468 | 417 | 396 | 330 | 310 |
| MVS-330-04A | 37 | 50 | | 546 | 525 | 494 | 439 | 419 | 352 | 332 |
| MVS-330-04 | 45 | 60 | 580 | 565 | 536 | 480 | 458 | 384 | 364 | |
| MVS-330-05B | 45 | 60 | 640 | 636 | 605 | 540 | 511 | 430 | 402 | |

Replace the 3rd digit in model name as "C" for Cast Iron pump base & pump head models and "N" for AISI 316 construction.
The given performance is same for Type - C, S, N
In view of the continuous developments the Information / Descriptions / Specifications / Illustrations are subject to change without notice.

MVC (ROUND FLANGE)



MVS & N (ROUND FLANGE)

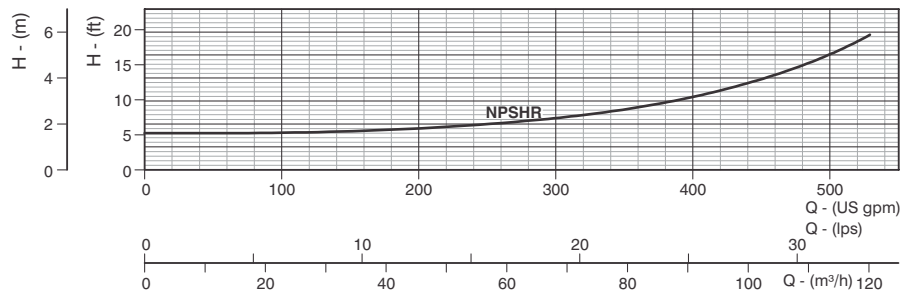


All Dimensions are in mm & Inches

DIMENSIONS & WEIGHT

| PUMP MODEL | APPROX. DIMENSIONS (mm / Inch) | | | | | | | | | | APPROX. NETT WEIGHT WITHOUT PACKING (kg / lb) | | | | | |
|-------------|--------------------------------|------|------------|------|-----|------|----------|------|-----|------|---|-----|-------|-----|-------|-----|
| | L1 & L4 MVC / S / N | | L2 3 Ph | | X | | Y (Ø) | | Z | | PUMP | | MOTOR | | | |
| | mm | Inch | mm | Inch | mm | Inch | mm | Inch | mm | Inch | kg | lb | kg | lb | kg | lb |
| MVS-450-01A | 572 | 22.5 | 495 | 19.5 | 223 | 8.8 | 312 | 12.3 | 305 | 12.0 | 42.6 | 94 | 41.7 | 92 | 55.3 | 122 |
| MVS-450-01 | 572 | 22.5 | 495 | 19.5 | 223 | 8.8 | 312 | 12.3 | 305 | 12.0 | 42.6 | 94 | 41.7 | 92 | 59.4 | 131 |
| MVS-450-02B | 768 | 30.2 | 495 | 19.5 | 223 | 8.8 | 312 | 12.3 | 305 | 12.0 | 46.3 | 102 | 45.4 | 100 | 68.5 | 151 |
| MVS-450-02A | 768 | 30.2 | 630 | 24.8 | 271 | 10.7 | 340 | 13.4 | 305 | 12.0 | 46.3 | 102 | 45.4 | 100 | 81.6 | 180 |
| MVS-450-02 | 768 | 30.2 | 630 | 24.8 | 271 | 10.7 | 340 | 13.4 | 305 | 12.0 | 46.3 | 102 | 45.4 | 100 | 109.8 | 242 |
| MVS-450-03B | 860 | 33.9 | 630 | 24.8 | 271 | 10.7 | 340 | 13.4 | 305 | 12.0 | 51.2 | 113 | 50.3 | 111 | 109.8 | 242 |
| MVS-450-03A | 860 | 33.9 | 650 | 25.6 | 276 | 10.9 | 395 | 15.6 | 305 | 12.0 | 51.2 | 113 | 50.3 | 111 | 117.0 | 258 |
| MVS-450-03 | 860 | 33.9 | 650 | 25.6 | 276 | 10.9 | 395 | 15.6 | 305 | 12.0 | 51.2 | 113 | 50.3 | 111 | 117.0 | 258 |
| MVS-450-04B | 952 | 37.5 | 695 | 27.4 | 297 | 11.7 | 435 | 17.1 | 305 | 12.0 | 54.9 | 121 | 54.0 | 119 | 145.1 | 320 |
| MVS-450-04A | 952 | 37.5 | 695 | 27.4 | 297 | 11.7 | 435 | 17.1 | 305 | 12.0 | 54.9 | 121 | 54.0 | 119 | 145.1 | 320 |

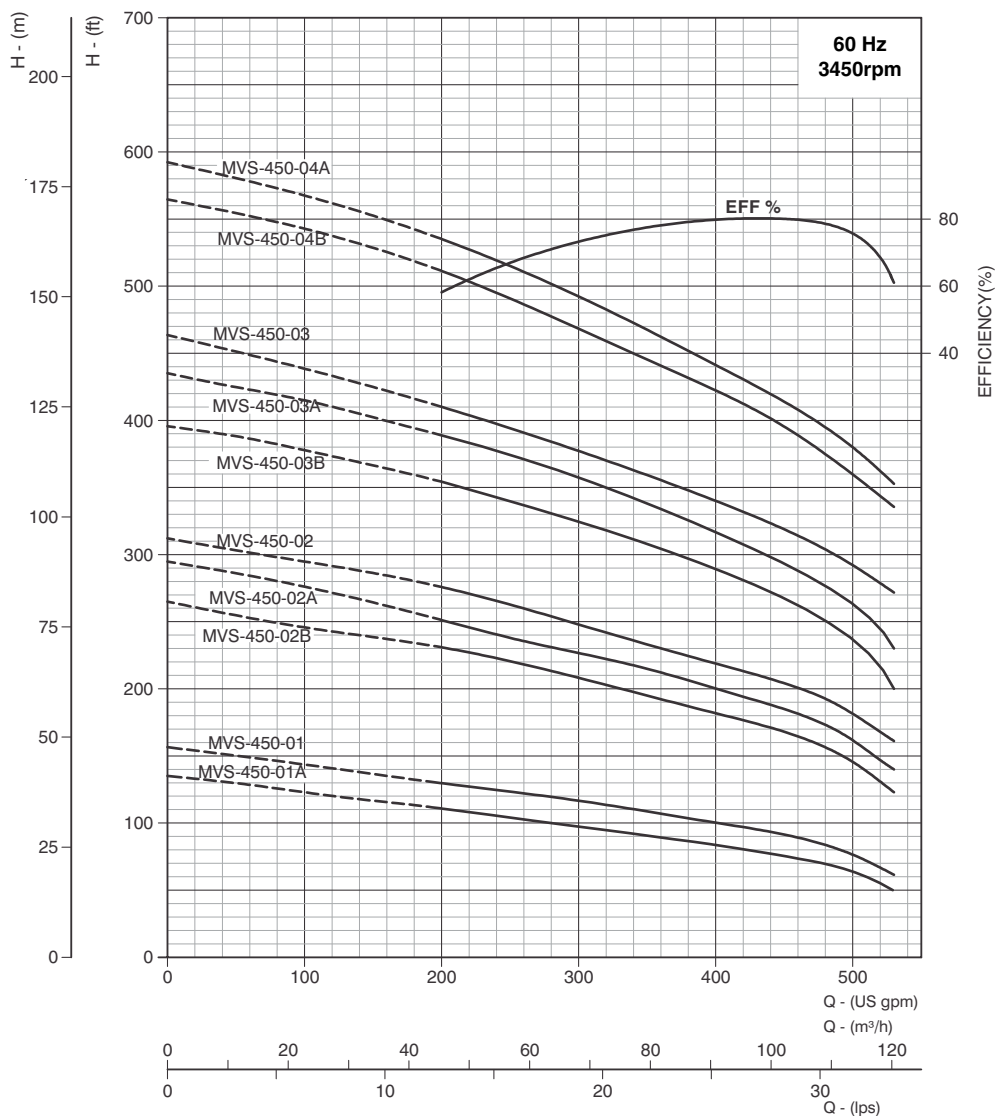
NPSHR CURVE



MV-450

PERFORMANCE CURVES

NOMINAL FLOW : 450 gpm



PERFORMANCE TABLE

PIPE SIZE : DN 100

| PUMP MODEL | MOTOR POWER | | TOTAL MANOMETRIC HEAD IN FEET | DISCHARGE | | | | | | | |
|-------------|-------------|----|-------------------------------|-----------|-----|------|------|------|-------|-------|-------|
| | kW | HP | | US gpm | 0 | 45.6 | 68.2 | 90.9 | 102.3 | 113.6 | 120.5 |
| MVS-450-01A | 11 | 15 | | 0 | 200 | 300 | 400 | 450 | 500 | 530 | |
| MVS-450-01 | 15 | 20 | | 135 | 111 | 97 | 83 | 75 | 64 | 50 | |
| MVS-450-02B | 18.5 | 25 | | 157 | 130 | 117 | 100 | 91 | 78 | 61 | |
| MVS-450-02A | 22 | 30 | | 265 | 231 | 208 | 182 | 169 | 146 | 122 | |
| MVS-450-02 | 30 | 40 | | 295 | 251 | 227 | 200 | 185 | 161 | 140 | |
| MVS-450-03B | 30 | 40 | | 312 | 276 | 247 | 220 | 204 | 180 | 161 | |
| MVS-450-03A | 37 | 50 | | 395 | 354 | 324 | 290 | 268 | 238 | 200 | |
| MVS-450-03 | 37 | 50 | | 435 | 389 | 358 | 317 | 292 | 263 | 230 | |
| MVS-450-04B | 45 | 60 | | 464 | 410 | 378 | 340 | 320 | 291 | 270 | |
| MVS-450-04A | 45 | 60 | | 564 | 511 | 469 | 423 | 395 | 360 | 335 | |
| | | | | 592 | 535 | 493 | 440 | 414 | 380 | 352 | |

Replace the 3rd digit in model name as "C" for Cast Iron pump base & pump head models and "N" for AISI 316 construction.
 The given performance is same for Type - C, S, N
 In view of the continuous developments the Information / Descriptions / Specifications / Illustrations are subject to change without notice.