

6"

140 PR34
140 PRX34

PANELLI®

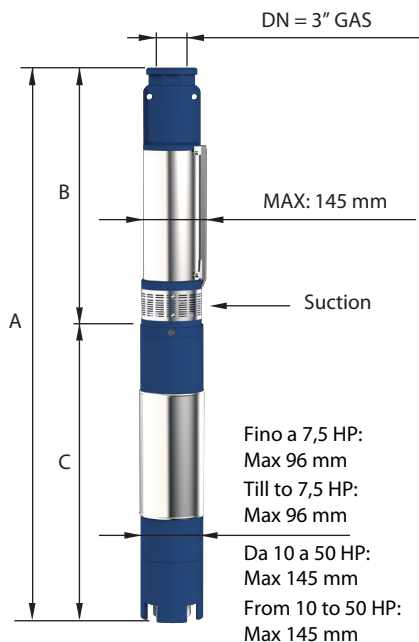
CARATTERISTICHE IDRAULICHE - HYDRAULIC PERFORMANCES

Q= Portata - Capacity - Debit **50 Hz n= 2900 min**

Tipo Type	Power		H(m)	0	300	400	500	600	700	800		
	kW	HP		l/min	l/sec	m ³ /h	l/min	l/sec	m ³ /h	l/min	l/sec	m ³ /h
				0	5	6,67	8,33	10	11,67	13,33		
140 PR34 N/04	5,50	7,5	H(m)	55	48	44	37	30	20	8		
140 PR34 N/05	7,50	10		68	60	54	47	37	24	11		
140 PR34 N/07	9,20	12,5		96	84	76	65	52	34	15		
140 PR34 N/08	11	15		109	96	87	75	60	39	17		
140 PR34 N/09	13	17,5		123	108	98	84	67	44	19		
140 PR34 N/11	15	20		150	132	120	103	82	54	23		
140 PR34 N/13	18,50	25		178	156	141	121	97	63	27		
140 PR34 N/16	22	30		219	192	174	149	119	78	34		
140 PR34 N/19	26	35		260	228	207	177	141	93	40		
140 PR34 N/22	30	40		301	264	239	205	164	107	46		
140 PR34 N/27	37	50		369	324	294	252	201	132	57		

DIMENSIONI D'INGOMBRO E PESI - OVERALL DIMENSIONS AND WEIGHTS

Type	A mm Tri V 400	B mm	C mm Tri	M Kg Tri	P Kg
140 PR34 N/04	1281	583	698	27	15
140 PR34 N/05	1343	642	701	55	16
140 PR34 N/07	1511	760	751	60	19
140 PR34 N/08	1630	819	811	65	20
140 PR34 N/09	1719	878	841	70	22
140 PR34 N/11	1927	996	931	75	24
140 PR34 N/13	2105	1114	991	83	27
140 PR34 N/16	2362	1291	1071	92	30
140 PR34 N/19	2649	1468	1181	100	33
140 PR34 N/22	2896	1645	1251	108	37
140 PR34 N/27	3281	1940	1341	118	42



Versioni disponibili
Available versions
Versions disponibles
Versiones disponibles

140 PRX

Gabbia di aspirazione e mandata
(con piattello) in AISI 304 microfuso

Suction cage and delivery bowl
(with cap valve) in AISI 304 casted



n% = Rendimento della pompa
n% = Rendement de la pompe
n% = Pump efficiency
n% = Rendimiento de la bomba

**Max
57 %**

kW/st = Assorbimento per stadio
kW/st = Absorption par étage
kW/st = Stage absorption
kW/st = Potencia absorbida por etapa

**Max
1,39**

Tolleranze secondo UNI ISO 9906 livello 3B - Tolerances according to UNI ISO 9906 grade 3B