



POOL & SPA  
PRODUCT CATALOGUE

**YOUR PREMIER  
SUPPLIER**

**2023**

Design and manufacture of professional pool products



# ABOUT EMAUX

---

As industry leaders, Emaux Group is proud to deliver exceptional products, innovative solutions, and experience-led designs that reflect our 40 years of expertise in the swimming pool industry. We understand how and why our products fulfill an important role in making your life healthier and happier.

With our 100,000 square metre production plant, Emaux has brought together Research & Development, Production, Quality Control, and Training & Support, to ensure our plant presents a comprehensive one-stop solution for our customers.

We offer complete solutions for both commercial and residential aquatic projects and understand the complete process from design and manufacture to installation and beyond. Thanks to our innovative products and comprehensive services, we are your partner from beginning to end.

# YOUR PREMIER SUPPLIER



## OUR MISSION


We strive to be your trusted water solutions company. With our innovative products and comprehensive services, we endeavour to meet every unique need of our customers and aim to strengthen our offering through synergies with our partners guided by the principles of integrity, transparency, and people focus.

# TABLE OF CONTENT

## Introduction

- 01 Company Introduction
- 03 Table of Content
- 05 Production & Logistic
- 07 Factories & Sustainability
- 09 Innovation & R&D
- 11 Signature Products + New Product
- 13 Website introduction
- 15 General Conditions of Sale
- 16 Warranty Policy

## Filter

- 19 **Max Filters - MFV & MFS Series** 
- 21 **Volumetric Filter** 
- 23 Filters - P & SP Series
- 25 Filter - V & S Series
- 28 Gelcoat Filters - TMG & SMG Series
- 29 Ring Lock Filter - SR Series
- 31 Deep Bed Filter - SDB Series
- 33 **Galaxy Single-Element Cartridge Filter** 
- 35 **Galaxy Multi-Element Cartridge Filter** 
- 37 Cartridge Filter - CF Series
- 38 Deep Bed Filter - HD Series

## Commercial Filter

- 41 General Features
- 42 Commercial Filter - NL, E and K Series
- 45 Commercial Filter - H Series
- 49 Dual Stack Sand Filter
- 51 Large Size Horizontal Sand Filter
- 53 Custom-Built Service

## Filter System

- 57 Ultra - Filter System - FSU Series
- 58 Compact Filter System - FSP Series
- 59 Filter System - FSP Series
- 60 Filter System - FSF Series
- 61 Filter System - FSM Series
- 62 Cartridge Filter System - FSCO Series (SS Pump)
- 63 EMD series In-ground Filter System








## Filtration Media

- 67 Glass Filtration Media





## Selector Valve and Accessories

- 69 Multiport Valves
- 70 Top Mount Multiport Valve
- 73 Side Mount Multiport Valve
- 74 Commercial Multiport Valve
- 75 Valve Manifold
- 76 Flange Connection
- 77 **Flex Valve Actuator** **NEW** 
- 78 **Flex Diverter Valve** **NEW** 
- 79 Valve
- 80 Above-Ground Pool Gate Valve
- 81 Union Set
- 82 Hose Tail Connector
- 83 Pressure Gauge

## Pump

- 87 **E-Power Variable Speed Pump**  (WiFi & Modbus option)
- 90 **E-Power Pump** 
- 91 **Super-Power Variable Speed Pump** 
- 93 **Super-Power Pump**  (2 speeds option)
- 95 Pump - SB and SR Series
- 97 Pump - SC Series
- 98 **All-Star Series Pumps** 
- 101 Pump - SS Series
- 103 Pump - SD and ST Series
- 105 Aqua-Mini Pump
- 106 **Commercial Plastic Pump - Hydra-Power** 
- 109 **Ultra-Power Commercial Pump** 
- 111 Commercial Cast Iron Pump - SE Series
- 113 Commercial Corrosion Resistant FRP Pump-SWP Series
- 117 Basket Strainer
- 118 Air Blower
- 119 Pump Control Box

## Disinfection System

- 123 **SSCone Salt Chlorinator** 
- 125 **Superior SSC Series Salt Chlorinator** 
- 127 SSCmini Salt Chlorinator
- 128 SSC Series Salt Chlorinator
- 129 Ozo-Plus Ozone Generator
- 131 Sacrificial Anode Shield
- 133 **Nano Tech UV-C Disinfection System** 
- 137 Nano Tech MPUV Disinfection System
- 140 FOS Series UV-C Disinfection System
- 141 **CTRL Series Solenoid Driven Metering Pump** 
- 143 Chemical Feeder

New  
2023

**NEW**

Signature  
Product



## Underwater Light

- 147 E-Lumen X Series Underwater Light
- 148 E-Lumen X - "Quartz"
- 149 E-Lumen X - "Quartz (EM)"
- 150 E-Lumen X - Zircon
- 151 E-Lumen X - "Eagle Eye" **NEW**
- 153 E-Lumen X - "Topaz"
- 154 E-Lumen X - ColourTouch Control Box
- 155 E-Lumen Series Underwater Light
- 156 E-Lumen Ultra-Thin LED Panel
- 157 E-Lumen Underwater Light
- 158 EL-NP300 Series Underwater Light
- 159 EL-H200 Series Underwater Light
- 160 EL-S300 Series Underwater Light
- 161 EL-S100 Series Underwater Light
- 162 Flat Type Underwater Light - TP100
- 163 Flat Type Underwater Light - P100
- 164 Flat Type Underwater Light - CP100
- 165 Aurora Underwater Light
- 167 E-Lumen Compact Light
- 169 Underwater Light - Housing Type - P300
- 170 Underwater Light - Housing Type - NP300
- 171 Underwater Light - Housing Type - S300
- 172 Underwater Light - Housing Type - S100
- 173 Underwater Light - Housing Type - H100/200
- 174 Spa Light P50 / P10
- 175 Terra-Lux Light
- 176 Fountain Light - F20/F20A Series
- 177 **Glow+ LED Stripes**
- 179 Light Control Box
- 180 Transformer and Junction Box

## Pool Fittings

- 183 Heavy Duty Skimmer
- 185 Standard Skimmer
- 186 **Surface Skimmer** **NEW**
- 187 VGB Anti Vortex Main Drain
- 189 Main Drain
- 191 Suction Fitting, Vacuum and Outlet Fitting
- 193 Return Inlets and Wall Return
- 195 Floor Inlet
- 196 Spa Jet and Jet Body
- 197 Grating System
- 201 Spa Fittings
- 203 Other Equipment - Water Regulator and Conduit

## Water Features

- 205 Water Descent
- 206 LED Water Descent Control Box
- 207 PBA / PBS Series
- 208 RA / RS Series
- 209 Countercurrent Jet

## Surrounding Equipment

- 215 Pool Ladders
- 216 NSL / SLF Series
- 217 NSF / SFF Series
- 218 NMU / MUF Series
- 219 OF / OFF Series
- 220 BHK / BHL Series
- 221 Exit Handrail, and Other Components
- 223 Shower Head
- 225 Starting Platform
- 226 Water Cascade

## Cleaning Equipment

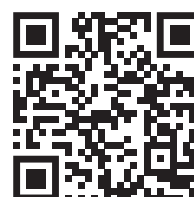
- 229 **CleanTop Series**
- 231 Automatic Pool Cleaner - CE306
- 232 Pool Cleaning Tools - Pole and Hose
- 233 Pool Cleaning Tools - Hand Skimmer and Brush
- 234 Pool Cleaning Tools - Vacuum Head
- 235 Pool Cleaning Tools - Thermoment and Test Kit
- 236 Salinity Meter
- 237 PH Meter, ORP Meter

## Heating

- 239 HE Series Heat Exchanger
- 241 Inverter Heat Pump
- 243 B2 Series Heat Pump
- 244 B Series Heat Pump
- 245 A Series Heat Pump

## Useful Information

- 250 Unit Conversion Table



Download the  
catalogue on our website



## **PRODUCTION & LOGISTIC**

We are committed to creating a lean and responsible production facility while maintaining an environmentally friendly and safe factory. With the assistance of automation, industry 4.0 and advanced warehouse/logistics system, Emaux is able to offer an improved delivery experience.



# NEW ERA OF WATER TECHNOLOGY

## ENVIRONMENTAL FRIENDLY



Combating climate change, accessing clean air, and reducing energy costs. Emaux continues to innovate in order to develop the most energy-efficient products available today. With much lower energy costs and carbon emissions, the users of Emaux products benefit from our economical and environmentally friendly products.



## AUTOMATION

Emaux's automated manufacturing process employs the most advanced technologies in mould making, plastic blow moulding, plastic injection, metal production, fiberglass production, motor & pump production, light manufacturing, and assembly. We provide flexible one-stop solutions to meet every need for your water treatment projects.

# FACTORIES & SUSTAINABILITY

Emaux is a company with a global footprint. To broaden our diversity and opportunity, we expanded our factory by not only size, but also region. Emaux's new factory in Spain (Barcelona) is ready to provide quality pool/spa products. To achieve the goal of sustainability, our Chinese factory also expanded its production capacity, extended its product catalogue and usage of automation.



## INTERNATIONAL QUALITY STANDARD

Our production facility is ISO9001:2008 certified, and the most stringent international standards have been met for individual products, including UL, ETL and CSA (Canada and the U.S), TUV-GS and RoHS (Europe), SAA and C-Tick (Australia and New Zealand), CCC (China), and SASO (Saudi Arabia).





## CHINA PRODUCTION PLANT



Our manufacturing unit in Zhongshan, China is an advanced 100,000 sqm purpose-built production facility. Emaux not only increased its production capabilities but also focused on streamlining our manufacturing process through the use of the latest hi-tech production equipment.



## SPAIN PRODUCTION PLANT & SALES OFFICE



Emaux's overseas manufacturing plant and marketing office, based in Barcelona, Spain, specializing in manufacturing HDPE filters through extrusion technology. A modern new factory to better serve the European market, with state-of-the-art technology, being close to our European dealers.

Our new production premises places Emaux on strong international footing and is a testament to our commitment to adapt to different market needs.

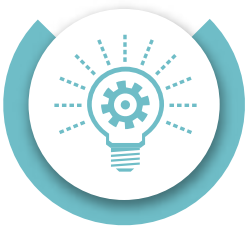
# TECHNOLOGY

## INNOVATION & R&D

Innovation and R&D are both critical in the modern world. Emaux continues to take steps towards energy/operational efficiency, smart control with IoT, high-quality user experience and environmental friendly pool/spa products. With our pool/spa experience and strong R&D background, we strive to spark collaboration and innovation with our customers through new hi-tech ideas.

### ENERGY EFFICIENCY

At Emaux, we always put our users' interests as our top priority. We strive for our products to be economical, environmentally friendly, and energy efficient. We aim to design and manufacture innovative goods that reduce our carbon footprint, and ultimately, lower our users' energy consumption and costs. As a result, we continually work to improve our offerings to achieve that objective.



### SMART CONTROL WITH IoT

With continuous improvement in technology, Emaux also introduced its Internet of Things (IoT) technology to provide connectivity for all systems and components.



### HIGH-QUALITY USER EXPERIENCE

There is beauty in simplicity. In order to make it easier for pool owners to use Emaux's products, we have invested heavily in designing and optimizing the user interface for a high-quality user experience.



# DRIVE GROWTH AND IMPROVE OPERATIONS



# SIGNATURE PRODUCTS



Emaux offers pool and spa products for both residential and commercial applications. Our exceptionally innovative products are matched by exceptional value and competitive pricing with no compromise on quality. We design with an understanding that our products will serve you for a very long time.



# 2023 New Products



## E-lumen X – “Eagle Eye” Series

EAGLE EYE is a slim, high efficiency LED light with a powerful 18W output. The nicheless design allows for installation in 1.5 inch/50mm PVC pipes, suction fittings, or wall conduits. An easy-change lens cover provides a handy option for switching lighting effects.



## FLEX Valve Actuator

Emaux FLEX Valve Actuator is a universal 24-Volt actuator that can work with other manufacturers' automatic controls on 2-way and 3-way valves.

Two-Way Valve



Three-Way Valve

## Flex Diverter Valve

Emaux FLEX diverter valve is a maintenance-free valve with an ergonomic design handle. The PTFE coating gasket gives high reliability and smoothes the turning torque for the valve.



## Surface Skimmer

This 600mm wide surface skimmer enables the water line to be close to the pool deck level and creates an elegant finish similar to an overflow pool. A wide skimmer mouth and a large basket maximize water circulation and skimming efficiency.



# RESOURCE CENTER

Our current and future clients will find useful information about our services on our homepage. Our revamped website offers a fresh new look and easier access to all you need to know. Not only is it the hub for details about us and what we do and make, but it is also a portal for general knowledge about pool products.

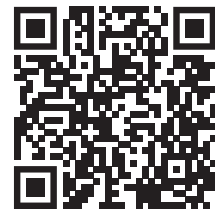
**Support - Download Center**     <https://emauxgroup.com/support/technical-support/>



## Product Brochures

Conveniently find all of our product brochures on one page. Easy to learn more about Emaux's products.

<https://emauxgroup.com/support/cat/product-brochures/>



## Product Manuals

In order to facilitate customers to find manuals of different products, all product manuals can be found on one page.

<https://emauxgroup.com/support/cat/product-manuals/>



## Replacement Parts Catalogue

This is a new feature that makes it easier for customers to find information about replacement parts.

<https://emauxgroup.com/support/cat/replacement-parts-catalogue/>





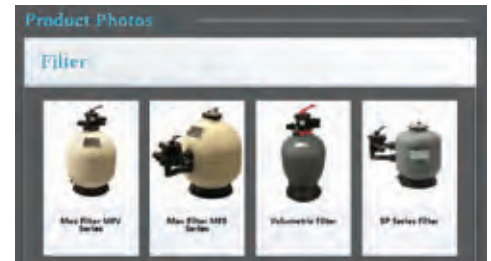
## Support - Dealer Login

Dealers can obtain a login & password from a dedicated Emaux representative to download more information.

## Product Photos

Provide high-quality photos of each product that dealers can use for marketing.

<https://emaugroup.com/support/cat/hires-product-photos/>



## Certification

Dealers can download product certifications for marketing and attesting to the quality of Emaux products.

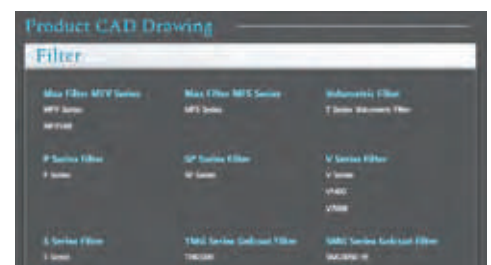
<https://emaugroup.com/support/cat/certification/>



## Product CAD Drawing

Available in pdf, 2D dwg and 3D dwg formats that dealers can use to produce engineering construction drawings.

<https://emaugroup.com/support/cat/product-cad-drawing/>



## Warranty Form

Dealers can fill in information about product maintenance on the webpage, the process is simple and fast. Allow relevant departments to effectively follow up.

<https://emaugroup.com/support/warranty-form/>



# GENERAL CONDITIONS OF SALE

## 1. Buyer's Acceptance of Seller's General Conditions of Sale

A. The General Conditions of Sale herein shall apply to every contract of "Emaux Water Technology Co., Ltd." (hereinafter referred to as "the Seller") for the sale of manufactured materials, parts, finished products and services (hereinafter referred to as "the Goods") to any person or company who has purchased or agreed to purchase the Goods from the Seller (hereinafter referred to as "the Buyer"), unless the Seller otherwise specifically agrees in writing.

B. By placing an order to purchase the Goods, the Buyer agrees to the General Conditions of Sale herein.

C. Any alterations or amendments to the General Conditions of sale herein must be accepted by the Seller in writing. Otherwise, they should be null and void.

## 2. Minimum Order

Unless otherwise specifically agreed by the Seller, the Buyer shall be charged a processing fee of USD150.00 if the Buyer places an order whereby the purchase price of the Finished Products is less than USD1,000.00; And USD 20.00 will be charged for an order of the Parts less than USD100.00.

## 3. Acceptance and Confirmation of Order

A. Unless stated otherwise by the Seller, all quotations made by the Seller are subject to change and non-binding.

B. Any information provided by the Seller in its price lists, catalogues, prospectuses, brochures, and/or any other document is indicative only. The Seller makes no representations about the suitability of the information therein.

C. The Seller reserves the right to make adjustments to the pricing and offerings of the Goods at any time without prior notice for reasons including, but not limited to, changing market conditions, product discontinuation, product unavailability and manufacturer price changes.

D. The Seller is under no obligation to accept any order made by the Buyer.

E. No order of the Buyer shall be deemed accepted or binding upon the Seller unless accepted by the Seller on the Seller's form of order confirmation drawn up on its own letterhead, signed by an officer or employee of the Seller duly authorized to sign on behalf of the Seller, as proof of entry into the contract between the Seller and the Buyer for the sale and purchase of the Goods set out in the order confirmation and the General Conditions of Sale herein (hereinafter referred to as "the Contract").

F. Once an order has been accepted/confirmed by the Seller, the order will be considered finalised and no further changes will be accepted.

G. Each shipment is allowed to consolidate a maximum of two orders.

H. Any arrangement with agents, representatives or other intermediaries of the Seller shall be binding upon the Seller only if such arrangement is confirmed in writing by the Seller.

## 4. Letter of Credit

If the purchase price of the Goods is no less than USD8,000.00, the Seller shall agree to accept payment of the Goods from the Buyer by way of letter of credit (hereinafter referred to as the "L/C") satisfactory to the Seller, established by the Buyer in favour of the Seller and confirmed by a bank acceptable to the Seller. The L/C shall be for the purchase price payable for the Goods (together with any tax, VAT or customs clearance duties payable) to the Seller under the Contract. Further details on the procedure of L/C can be requested from the administrative department of the Seller at any time.

## 5. Charges and Payment

A. The purchase price of the Goods quoted by the Seller is exclusive of all costs and charges of packaging, insurance, transportation and shipping of the Goods and any financial charges levied by the Buyer from the payment for the Goods, which shall be paid by the Buyer.

B. The purchase price of the Goods quoted by the Seller is exclusive of all tax, VAT or customs clearance duties which are Buyer's responsibility to pay and clear under their local laws.

C. The Seller reserves the right to increase the purchase price of the Goods, by giving notice to the Buyer at any time before the delivery of the Goods that is due to:

I. any request from the Buyer to change the delivery date, quantities or types of the Goods ordered, or the specifications of the Goods;

II. any factors beyond the reasonable control of the Seller; and/or

III. any delay caused by the Buyer's instruction in respect of the Goods or failure of the Buyer to give the Seller adequate or accurate information or instructions.

D. Any grant of credit terms must be agreed in advance in writing by the Seller. Full payment is then due in accordance with the agreed credit terms.

E. The Seller reserves the right to cancel the Buyer's credit at any time by giving written notice to the Buyer in which case all amounts due from the Buyer shall become immediately due and payable.

F. The Seller shall issue an invoice to the Buyer in accordance to the agreed terms under the Contract and the General Conditions of Sale herein. The Buyer shall pay for each invoice in full to a bank account nominated in writing by the Seller in accordance with any agreed credit terms under the Contract. The invoices are due and payable within the time period specified on the invoice, measured from the date of invoice.

G. Without limiting any other right or remedy available to the Seller, if the Buyer fails to make any payment to the Seller by the due date, the Seller shall have the right to charge an interest on the overdue amount at the rate of 1.5 percent per month accumulating on a daily basis from the due date until the date on which the full payment of the overdue amount is received by the Seller.

H. In the event of any delay in payment, even partial, the Seller shall have the right to suspend deliveries of the Goods and may, at its option, require immediate payment of all sums owed by the Buyer or terminate the Contract.

I. The Buyer shall pay all amounts due under the Contract in full without any counterclaim, set-off, deduction or withholding (except for any deduction or withholding required by law). Only in cases when the Seller issues a credit note to the Buyer, the Buyer can withhold payment to the extent that the withholding amount is not more than the amount stated on the issued credit note.

## 6. Title and Risk

A. Title to the Goods shall remain vested in the Seller and shall not pass to the Buyer until the purchase price for the Goods has been paid in full and received by the Seller. Until title to the Goods has passed to the Buyer:

I. the Seller shall have authority to retake, sell or otherwise deal with and/or dispose of all or any part of the Goods prior to the full payment;

II. the Buyer shall hold the Goods on trust for the Seller;

III. the Seller (and its agents and employees) shall be authorized, at any time and without the need to give notice (and accompanied by any court representative is mandatory under the applicable law), enter the Buyer's premises during working hours in order to proceed with an examination or recovery of Goods to which it has retained title;

IV. the Buyer shall store or mark the Goods in a manner reasonably satisfactory to the Seller indicating that title to the Goods remains vested in the Seller;

V. the Buyer shall insure the Goods to their full replacement value, and arrange for the Seller to be noted on the policy of insurance as the loss payee; and

VI. the Buyer shall indemnify and hold harmless the Seller from and against any claim, action, suit or demand or any expense, loss, damage or liability suffered or incurred arising out of or incidentally to any misrepresentation, breach of warranty or breach or non-fulfillment of any material covenant, obligation or agreement of the Buyer set forth in the General Conditions of Sale herein, associated with the order or under the Contract.

B. Irrespective of whether title to the Goods remains vested in the Seller, all risk of loss or damage to the Goods shall pass to the Buyer immediately upon delivery of Goods by the Seller.

C. The Buyer shall not be entitled to pledge or in any way charge by way of security for any indebtedness of the Goods which remain the property of the Seller, but if the Buyer does so, all monies owing by the Buyer to the Seller shall (without prejudice to any other right or remedy of the Seller) forthwith become due and payable.

## 7. Termination and Cancellation

Without limiting its other rights or remedies, the Seller reserves the full right to terminate any transaction if the Buyer breaches any of the terms herein or under the Contract, or delay partial or total payment of the order, or delay the payment of previous orders. The Buyer cannot cancel an order or any part of an order without the express consent of the Seller in writing and any cancellation that the Seller may in its sole discretion consent to shall be subject to a handling fee equivalent to 30% of the purchase price of the Goods affected by the cancellation or the deposit paid by the Buyer (whichever is higher), without limiting the Seller's right to claim the damages caused by the cancellation of the order.

## 8. Storage Policy

All orders must be shipped within ten (10) days of completion to avoid storage fees. A storage fee of \$50 per container per day will be charged if the order is not shipped after ten (10) days of completion. For orders not shipped after twenty (20) days of completion, Emaux reserve the right to cancel the entire order. And if there are any deposit payments, they will result in forfeiture.

## 9. Claims

Any claims must be made in writing and must indicate in detail the defects and/or non-compliances contested within 14 days of the receipt of the Goods. If the Goods happened to be damaged in the shipment process, the claims must be filed to the delivering carrier and noted on the freight bill before the receipt of the Goods.

## 10. Force majeure

The Seller shall not be liable or responsible for any delays in delivery and failure to do so if the conditions were deemed out of the control of the Seller, including but not limited to fires, act of God, strikes, labor difficulties, acts of government and military authorities. Should such events continue to prevent the Seller from performing the Contract, the Seller may terminate the Contract.



# PRODUCT WARRANTY POLICY

## Introduction

This warranty supersedes all previous publications. Emaux Water Technology Co., Ltd. ("Emaux") manufactures its products with the highest standard of workmanship, using the best materials available through state of the art process. Emaux proudly warrants its products as follows:

## Warranty for Specific Products (from Date of Invoice)

Product	Warranty Period
<b>FILTER</b>	
MFV & MFS Series Max Filter	5 years - filter tank, 1 year - all other parts
T series Volumetric Filter	5 years - filter tank, 1 year - all other parts
P & SP Series Filter	3 years - filter tank, 1 year - all other parts
V, S, SR, SDB, LF, HD Series filament wound Filter	5 years Pro-Rata - filter tank, 1 year - all other parts
TMG & SMG Series Gelcoat Filter	5 years Pro-Rata - filter tank, 1 year - all other parts
Cartridge Filter - Galaxy Series, CF Series	2 years Pro-Rata - filter tank, 1 year - all other parts
<b>COMMERCIAL FILTER</b>	
NL, E & K series Vertical Filter	5 years Pro-Rata - filter tank, 1 year - all other parts
H series Horizontal Filter	5 years Pro-Rata - filter tank, 1 year - all other parts
Large Size Horizontal Sand Filter	5 years Pro-Rata - filter tank, 1 year - all other parts
<b>PUMP</b>	
EPV, EPH, SPV, SPH Pump	3 years (Variable Speed Driver - 2 year, Seal & Oring - 1 year)
SB, SR, SC, SS Pump	2 years (Seal & Oring - 1 year)
All-Star, SD, ST, AquaMini	1 year
Hydrau-Power, Ultra-power, SE Commercial Pump	3 years (Seal & Oring - 1 year)
SWP Commercial Pump	5 years Pro-Rata (Seal & Oring - 1 year)
Basket Strainer	3 years (seal & Oring - 1 year)
Air Blower	1 year
Pump Control Box	1 year
<b>DISINFECTION</b>	
Nano-Tech UV-C, MPUV, and FOS Series system	2 years (lamp & sleeve - 1 year)
Salt Chlorinator	2 years
Ozo-Plus Ozone Generator OZG-4G and OZG-8G System	2 years
Chemical feeder CL/CLL Series	1 year
CTRL Series solenoid Driven Metering Controller	2 years (Sensor - 1 year)
<b>UNDERWATER LIGHT</b>	1 year
<b>SURROUNDING EQUIPMENTS</b>	1 year
<b>HEAT PUMP &amp; HEAT EXCHANGER</b>	1 year
<b>WHITE GOODS</b>	1 year
<b>CLEANING EQUIPMENT &amp; ALL OTHERS</b>	1 year

**NOTE: Pro-rata = 3yrs full, 4th 50%, 5th 30%**

## This warranty shall not apply in the event of:-

1. Damage caused by careless handling, improper repackaging, or shipping.
2. Damage due to misapplication, misuse, abuse or failure to operate and install the equipment as specified in the owner's manual.
3. Damage caused by misuse, abuse or failure to operate and install the equipment out of the scope of a professional level demanded in similar equipment or installation type.
4. Damage due to unauthorized product modifications or failure to use original replacement parts of Emaux.
5. Damage caused by negligence or failure to properly maintain products as specified in the owner's manual.
6. Damage caused by failure to maintain water chemistry in conformity with the standards of the swimming pool industry for any length of time.

7. Damage caused by water freezing inside the product.
8. Accidental damage, fire, or other circumstances outside the control of Emaux
9. any willful modification, alteration, or repair in any way made to any part of the product by any person that is not authorized by Emaux.
10. Wear & tear parts.
11. Damage caused by the misapplication of electricity, natural calamities, or physical force.

## Claim Process

Summary of Emaux's Claim Process in 3 Steps:-

1. Claim against the warranty: Customer contacts Emaux's salesperson and provides completed details of the claim which includes:
  - Information about the failed/damaged products e.g. the product part number(s) and serial number(s)
  - Description of the complaint/failure
  - Relevant pictures
2. Once the complaint is received, it will be reviewed by Emaux's Quality Department in accordance with the "Emaux Warranty Policy" in the 2021 Emaux Product Catalogue.
3. After the investigation is completed, Emaux will inform the distributor of the said products and follow up with the customer accordingly.

## Emaux's Liability for the Products

Emaux warrants that its products are of sound material and workmanship. Should a defect become evident during the term of the warranty, Emaux will, at its option, repair or replace such item or part at its own cost and expense. The customer will need to follow the above warranty claim process from Emaux in order to obtain the benefit of this warranty.

Emaux is not, however, responsible under this warranty for any cost of shipping or transportation for the return of the products to Emaux and the delivery of repaired or replacement product to the customer. Emaux shall not be liable for any loss of time, inconvenience, incidental expenses such as labor cost, phone calls, legal cost or material cost incurred in connection with the replacement or removal of the product, and any other consequential or incidental damage on persons or assets. Emaux will not be responsible for any business profit loss due to operation stop and the non-conformity product. No indemnity or damages can be claimed on any account what so ever.

## Warranty or Representations by Others

No dealer or other person has the authority to provide any warranty on behalf of Emaux or its brands/group. Accordingly, Emaux shall not responsible for any such warranty or representation.

Emaux Warranty Policy (2020/2021): This document supersedes all previous versions of our statements / publications.

Emaux Water Technology Co., Ltd. reserves the final right to exercise all warranties in case of disputes.



# FILTER

## OUR PASSION FOR PERFECTION

---

Combining the best in raw materials with advanced technology, we are dedicated to the design and manufacture of a comprehensive range of high quality filters. We offer products suited to meet many applications and customer needs, including polyethylene filters, bobbin-wound fibreglass filters, and gelcoat filters for both residential and commercial pools. All filters are equipped with a pressure gauge and a top mount or side mount multiport valve which is assembled from strong ABS and marine grade stainless steel components.



# Max Series Filter

For residential and semi-commercial pools



Model: MFS24

Model: MFV17

Max Series Filters are equipped with:

1. 6-way multiport valve  
(MFV: 1.5"MPV07, 2"MPV08)  
(MFS: 1.5"MPV03, 2"MPV04)
2. Universal standard of union connection
3. Pressure gauge
4. PVC & ABS lateral system
5. Piping kit

## Tank Material

HDPE

## Max Operating Pressure

40 psi / 2.8 bar

## Max Temperature

50°C (122°F)

## Suggested Size of Media

0.5-0.8mm

## USER - FRIENDLY AND INNOVATIVE DESIGN

Emaux's innovative design and advanced technology offer superior filtration performance and crystal clear water. Max series filters are seamless, one-piece blow-molded filter tank in high density polyethylene for heavy duty use and reliability.

## Features



Unique one-piece clamp with screw-type lock simplifies installation, allowing tool-free servicing.



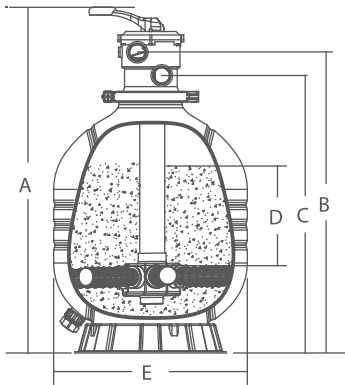
Equipped with a 6-way multiport valve which is constructed with sturdy ABS and marine-grade stainless steel.



Easy-to-read pressure gauge for inspection, and one-piece clamp for easy removal of lid and access to interior.

## MFV Series

### Top Mount Filters



### Product Dimensions

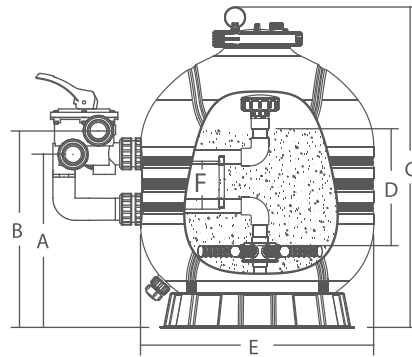
Model	A mm	B mm	C mm	D mm	E mm
MFV17	816	695	625	195	425
MFV20	889	772	712	225	500
MFV24	980	860	800	280	600
MFV24B	1032	873	807	280	600
MFV27A	1081	963	903	300	675
MFV27	1133	976	910	300	675
MFV31A	1126	1008	948	370	775
MFV31	1178	1021	955	370	775
MFV35	1296	1139	1073	440	875

### Technical Information

Code	Model	Filter Area (m <sup>2</sup> )	Valve Connections	Max Flow Rate	Sand (kg)
88012526	MFV17	0.14	1.5" / 50mm	117 lpm 7.0m <sup>3</sup> /h	40
88012527	MFV20	0.20	1.5" / 50mm	167 lpm 10.0m <sup>3</sup> /h	70
88012528	MFV24	0.28	1.5" / 50mm	233 lpm 14.0m <sup>3</sup> /h	125
88012545	MFV24B	0.28	2.0" / 63mm	233 lpm 14.0m <sup>3</sup> /h	125
88012529	MFV27A	0.36	1.5" / 50mm	240 lpm 14.4m <sup>3</sup> /h	185
88012530	MFV27	0.36	2.0" / 63mm	300 lpm 18.0m <sup>3</sup> /h	185
88012531	MFV31A	0.47	1.5" / 50mm	313 lpm 18.8m <sup>3</sup> /h	250
88012532	MFV31	0.47	2.0" / 63mm	392 lpm 23.5m <sup>3</sup> /h	250
88012533	MFV35	0.61	2.0" / 63mm	508 lpm 30.5m <sup>3</sup> /h	325

## MFS Series

### Side Mount Filters



### Product Dimensions

Model	A mm	B mm	C mm	D mm	E mm	F mm
MFS17	355	418	670	195	425	125
MFS20	396	549	760	225	500	125
MFS24	430	493	825	280	600	125
MFS27A	480	543	946	300	675	125
MFS27	460	546	946	300	675	130
MFS31A	506	569	968	370	775	125
MFS31	508	594	968	370	775	130
MFS35	564	650	1086	440	875	130

### Technical Information

Code	Model	Filter Area (m <sup>2</sup> )	Valve Connections	Max Flow Rate	Sand (kg)
88012626	MFS17	0.14	1.5" / 50mm	117 lpm 7.0m <sup>3</sup> /h	40
88012627	MFS20	0.20	1.5" / 50mm	167 lpm 10.0m <sup>3</sup> /h	70
88012628	MFS24	0.28	1.5" / 50mm	233 lpm 14.0m <sup>3</sup> /h	125
88012629	MFS27A	0.36	1.5" / 50mm	240 lpm 14.4m <sup>3</sup> /h	185
88012630	MFS27	0.36	2.0" / 63mm	300 lpm 18.0m <sup>3</sup> /h	185
88012631	MFS31A	0.47	1.5" / 50mm	313 lpm 18.8m <sup>3</sup> /h	250
88012632	MFS31	0.47	2.0" / 63mm	392 lpm 23.5m <sup>3</sup> /h	250
88012633	MFS35	0.61	2.0" / 63mm	508 lpm 30.5m <sup>3</sup> /h	325

# Volumetric Filter

For residential and semi-commercial pools



Volumetric Filter is equipped with:

- 1. 6-way clamp style multiport valve (1.5"MPV07, 2"MPV08)
- 2. Universal standard of union connection
- 3. Pressure gauge
- 4. ABS lateral system



Model: T450

Model: T600



Product Video

## Tank Material

HDPE

## Max Operating Pressure

58 psi / 4.0 bar

## Max Temperature

50°C (122°F)

## Suggested Size of Media

0.5-0.8mm

## ENGINEERED FOR THE DIFFERENCE

One-piece blow-molded filter tank combining the technology of structural engineered high-density polyethylene material manufactured to maximize the strength of the filter. It is perfectly suited for all pools with different disinfection systems (Salt chlorinator , Ozone, UV, and chemical dosing).

The Volumetric Filter is designed for the best clarity of filtered water and has an outstanding pressure standard among the market benchmarks.

The filter incorporates a multiport valve manufactured from robust components to create the most efficient, reliable, and user-friendly filter positioning it in the market for the best return on investment.

## Advantages

### 1. Better Water:

30% more volume of filtration bed compared to other filters in the market improves the filtration quality.

### 2. Less Backwash:

The high volume of filtration bed allows the filter to trap more dirt and as a result, less frequency of backwash is required.

### 3. User-friendly:

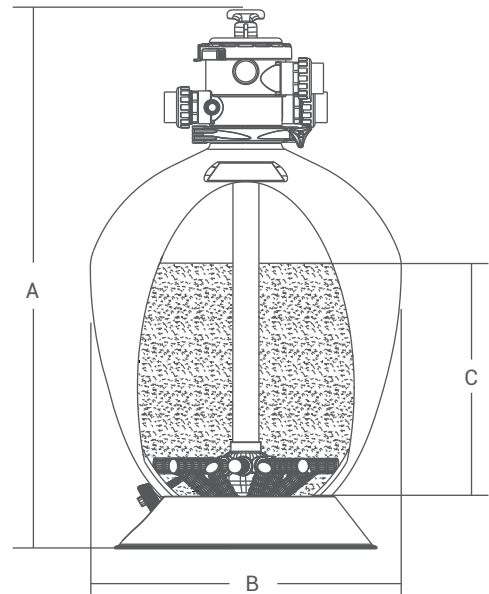
Easy to install, maintain and replace. Affordable spare parts available.

### 4. High compatibility:

The filter and its components are compatible with all different kinds of pool applications.

### 5. Robust Performance:

HDPE filter body provides the best protection under any extreme weather conditions.



## Product Information

Code	Model	Filter Area (m <sup>2</sup> )	Valve Connections	Max Flow Rate	Sand (kg)	A mm	B mm	C mm
88016003	T450	0.16	1.5" / 50mm	8.0m <sup>3</sup> /h	75	964	457	353
88016004	T500	0.20	1.5" / 50mm	10.0m <sup>3</sup> /h	95	1040	508	400
88016046	T600	0.29	1.5" / 50mm	14.6m <sup>3</sup> /h	165	1090	610	457
88016007	T700	0.39	1.5" / 50mm	19.5m <sup>3</sup> /h	200	1180	711	516
88016047	T600B	0.29	2.0" / 63mm	14.6m <sup>3</sup> /h	165	1142	610	457
88016008	T700B	0.39	2.0" / 63mm	19.5m <sup>3</sup> /h	200	1232	711	516

## Professional approach for creating better water

### 1. 6-Way Multiport Valve

Unique design allows tool-free service and maintenance

### 2. Filtration Bed

30% higher filtration bed promotes deeper water filtration for better water quality

### 3. Drain Cover

Robust and reliable to reduce operating and maintenance costs

### 4. Handy Clamp Lock

The hinged clamp allows 360° rotation of the valve to simplify installation and plumbing work

### 5. Filter Tank

An innovative T-shaped filter tank is designed for better backwashing. The tank in HDPE material can withstand higher water pressure and water temperature

### 6. Double-Layered Lateral System

Benefits from uniform filtered water collection and provides thorough backwashing of the filter media



# P & SP Series Filters

For above-ground and residential pools

P Series Filter is equipped with :

1. 6-way clamp style multiport valve (1.5"MPV01)
2. universal standard of union connection
3. pressure gauge
4. lateral system

SP Series Filter is equipped with :

1. 6-way multiport valve (1.5"MPV03)
2. universal standard of union connection
3. piping kit
4. pressure gauge
5. lateral system



Tank Material

HDPE

Max Operating Pressure

28 psi / 2.0 bar

Max Temperature

40°C (104 °F)

Suggested Size of Media

0.5-0.8mm

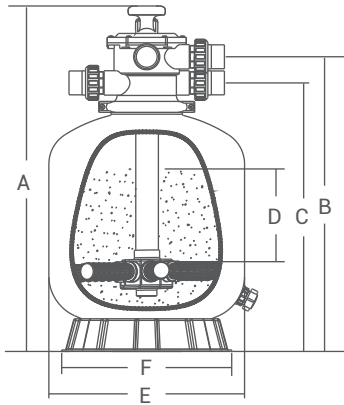
## LIGHT YET STRONG

P and SP Series Filters withstand many years of prolonged exposure to sunlight. The UV-resistant one-piece blow-molded filter tank has been well-received by the industry, not only because of the durability of the material, but also due to its reliable performance and economy.



# P Series

## Top Mount Filters



### P Series Product Dimensions

Model	A mm	B mm	C mm	D mm	E mm	F mm
P350	726	619	550	160	350	298
P400	757	640	590	175	400	390
P450	814	698	638	210	449	390
P500	845	730	670	235	527	500
P650	950	835	775	300	627	500
P700	1020	905	845	330	703	500

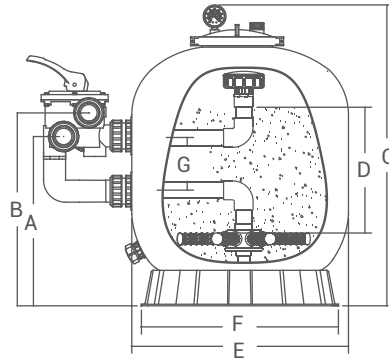
### P Series Technical Information

Code	Model	Filter Area (m <sup>2</sup> )	Valve Connections	Max Flow Rate	Sand (kg)
88011601	P350	0.10	1.5" / 50mm	72 lpm 4.32m <sup>3</sup> /h	20
88011602	P400	0.13	1.5" / 50mm	102 lpm 6.12m <sup>3</sup> /h	35
88011603	P450	0.16	1.5" / 50mm	130 lpm 7.80m <sup>3</sup> /h	45
88011604	P500	0.22	1.5" / 50mm	180 lpm 10.80m <sup>3</sup> /h	85
88011605	P650	0.31	1.5" / 50mm	255 lpm 15.30m <sup>3</sup> /h	145
88011607	P700	0.39	1.5" / 50mm	320 lpm 19.20m <sup>3</sup> /h	210



# SP Series

## Side Mount Filters



### SP Series Product Dimensions

Model	A mm	B mm	C mm	D mm	E mm	F mm	G mm
SP450	370	433	730	210	449	390	125
SP500	375	438	770	235	527	500	125
SP650	425	488	850	300	627	500	125
SP700	460	523	960	330	703	500	125

### SP Series Technical Information

Code	Model	Filter Area (m <sup>2</sup> )	Valve Connections	Max Flow Rate	Sand (kg)
88011703	SP450	0.16	1.5" / 50mm	130 lpm 7.80m <sup>3</sup> /h	45
88011704	SP500	0.22	1.5" / 50mm	180 lpm 10.80m <sup>3</sup> /h	85
88011705	SP650	0.31	1.5" / 50mm	255 lpm 15.30m <sup>3</sup> /h	145
88011707	SP700	0.39	1.5" / 50mm	320 lpm 19.20m <sup>3</sup> /h	210

Suggested sand weight varies with the differences in filter media size. For reference only.



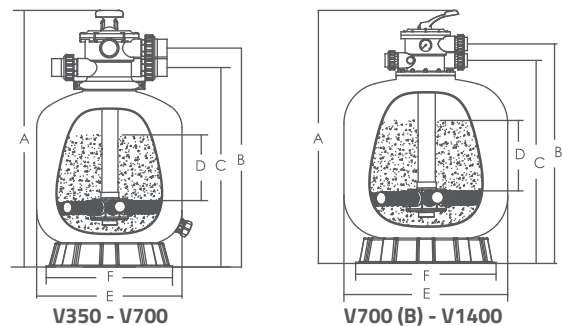
# V & S Series Filters

For residential and semi-commercial pools



## V Series Product Dimensions

Model No	A mm	B mm	C mm	D mm	E mm	F mm
V350	726	619	550	160	355	298
V400	757	640	590	175	410	390
V450	814	698	638	210	455	390
V500	845	730	670	235	535	500
V650,V650PB	950	835	775	300	635	500
V650(B)	957	815	731	300	635	500
V700	1020	905	845	330	710	500
V700(B)	1092	960	877	390	723	500
V800	1200	1085	1002	425	800	780
V900	1300	1172	1090	480	900	780
V900(C)	1334	1242	1145	480	900	780
V1000	1400	1340	1260	580	1000	780
V1000(C)	1434	1410	1160	580	1000	780
V1200	1600	1550	1468	740	1200	1000
V1200(C)	1634	1620	1368	740	1200	1000
V1400	1845	1683	1586	750	1400	1000



V Series Filter is equipped with :

1. 6-way clamp/bolt style multiport valve (1.5"MPV01, 2"MPV02, 2.5"MPV12)
2. universal standard of union connection
3. pressure gauge
4. lateral system

### Tank Material

Bobbin Wound  
Reinforced Fiberglass

### Max Operating Pressure

36 psi / 2.5 bar

### Max Temperature

43°C (109°F)

### Suggested Size of Media

0.5-0.8mm

## V Series Technical Information

Code (2.5 Bar)	Code (4 Bar)	Model	Filter Area (m <sup>2</sup> )	Valve Connections	Max Flow Rate	Sand (kg)
88010101	/	V350	0.09	1.5" / 50mm	72 lpm 4.32m <sup>3</sup> /h	20
88010102	/	V400	0.13	1.5" / 50mm	108 lpm 6.48m <sup>3</sup> /h	35
88010103	/	V450	0.16	1.5" / 50mm	135 lpm 8.10m <sup>3</sup> /h	45
88010104	/	V500	0.22	1.5" / 50mm	185 lpm 11.10m <sup>3</sup> /h	85
88010105	/	V650	0.32	1.5" / 50mm	260 lpm 15.60m <sup>3</sup> /h	145
88010106	/	V650(PB)	0.32	2.0" / 63mm	267 lpm 16.00m <sup>3</sup> /h	145
88010606	/	V650(B)	0.32	2.0" / 63mm	267 lpm 16.00m <sup>3</sup> /h	145
88010107	/	V700	0.40	1.5" / 50mm	325 lpm 19.50m <sup>3</sup> /h	210
88010608	/	V700(B)	0.41	2.0" / 63mm	336 lpm 20.16m <sup>3</sup> /h	215
88010609	/	V800	0.50	2.0" / 63mm	415 lpm 24.90m <sup>3</sup> /h	355
88010610	88015610	V900	0.64	2.0" / 63mm	520 lpm 31.20m <sup>3</sup> /h	470
88010650	88015650	V900(C)	0.64	2.5" / 75mm	533 lpm 32.00m <sup>3</sup> /h	470
88010611	88015611	V1000	0.79	2.0" / 63mm	650 lpm 39.00m <sup>3</sup> /h	620
88010651	88015651	V1000(C)	0.79	2.5" / 75mm	658 lpm 39.50m <sup>3</sup> /h	620
88010613	88015613	V1200	1.13	2.0" / 63mm	860 lpm 51.60m <sup>3</sup> /h	860
88010652	88015652	V1200(C)	1.13	2.5" / 75mm	941 lpm 56.50m <sup>3</sup> /h	860
88010614	88015614	V1400	1.54	2.5" / 75mm	1155 lpm 69.30m <sup>3</sup> /h	1400

# WIDEST CHOICES FOR DIFFERENT POOL SIZES

The bobbin-wound filter is manufactured by computerized fiberglass filament winding technology. This provides the mechanical strength of the filter tank and its ability to withstand pressure. V Series and S Series are manufactured by automatic bobbin winding technology from long-lasting and non-corrosive fiberglass and resin. The UV resistant composites allow the filter to resist extreme weather conditions for a long working life without corrosion.

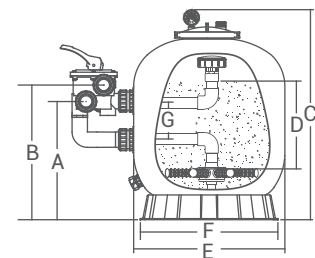
S Series Filter is equipped with :

1. 6-way multiport valve  
(1.5"MPV03, 2"MPV04, 2.5"MPV13)
2. universal standard of union connection
3. piping kit
4. pressure gauge
5. lateral system

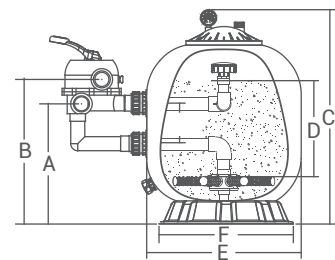


## S Series Product Dimensions

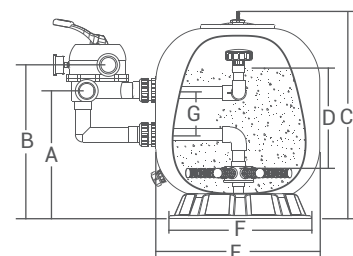
Model No	A mm	B mm	C mm	D mm	E mm	F mm	G mm
S450	370	433	730	210	455	390	125
S500	375	438	770	235	535	500	125
S650	425	488	850	300	635	500	125
S700	460	523	960	330	710	500	125
S700(B)	520	606	890	390	723	500	220
S800	605	691	1050	425	820	780	220
S900	655	741	1180	480	920	780	220
S900(C)	671	768	1180	380	920	780	236
S1000	710	796	1220	580	1020	780	220
S1000(C)	746	843	1220	480	1020	780	236
S1200	820	906	1410	740	1200	1000	220
S1200(C)	836	933	1410	640	1200	1000	236



S450-S700



S700(B)-S900



S1000-S1200

## S Series Technical Information

Code (2.5 Bar)	Code (4 Bar)	Model	Filter Area (m <sup>2</sup> )	Valve Connections	Max Flow Rate	Sand (kg)
88010703	/	S450	0.16	1.5" / 50mm	135 lpm 8.1m <sup>3</sup> /h	45
88010704	/	S500	0.22	1.5" / 50mm	185 lpm 11.10m <sup>3</sup> /h	85
88010705	/	S650	0.32	1.5" / 50mm	260 lpm 15.60m <sup>3</sup> /h	145
88010707	/	S700	0.40	1.5" / 50mm	325 lpm 19.50m <sup>3</sup> /h	210
88011208	/	S700(B)	0.41	2.0" / 63mm	336 lpm 20.16m <sup>3</sup> /h	215
88011209	9011107	S800	0.53	2.0" / 63mm	435 lpm 24.10m <sup>3</sup> /h	355
88011210	9011105	S900	0.66	2.0" / 63mm	495 lpm 29.70m <sup>3</sup> /h	470
88011250	9011108	S900(C)	0.66	2.5" / 75mm	550 lpm 33.00m <sup>3</sup> /h	470
88011311	9011307	S1000	0.82	2.0" / 63mm	670 lpm 40.20m <sup>3</sup> /h	620
88011351	9011308	S1000(C)	0.82	2.5" / 75mm	683 lpm 41.00m <sup>3</sup> /h	620
88011313	9011309	S1200	1.13	2.0" / 63mm	880 lpm 52.80m <sup>3</sup> /h	860
88011352	9011310	S1200(C)	1.13	2.5" / 75mm	975 lpm 58.50m <sup>3</sup> /h	860

# TMG & SMG Series Gelcoat Filters

For residential and commercial pools

TMG Filter is equipped with :

1. 6-way clamp/bolt style multiport valve  
(1.5"MPV07, 2"MPV08, 2"MPV02  
for TMG750 &TMG900)
2. universal standard of union connection
3. pressure gauge
4. ABS lateral system

SMG Filter is equipped with :

1. 6-way multiport valve  
(1.5"MPV03, 2"MPV04)
2. universal standard of  
union connection
3. pressure gauge
4. ABS lateral system
5. piping kit

Tank Material

Gelcoat Fiberglass

Max Operating Pressure

36 psi / 2.5 bar

Max Temperature

43°C (109°F)

Suggested Size of Media

0.5-0.8mm

## Advantages

1. Non corrosive gelcoat fiberglass tank with smooth finish
2. Can be produced in different colours for choice of appearance
3. SMG: Curved valve connecting elbow reduces head loss
4. SMG: Transparent lid provides clear view of filter media, and an air release valve allows trapped air to be evacuated

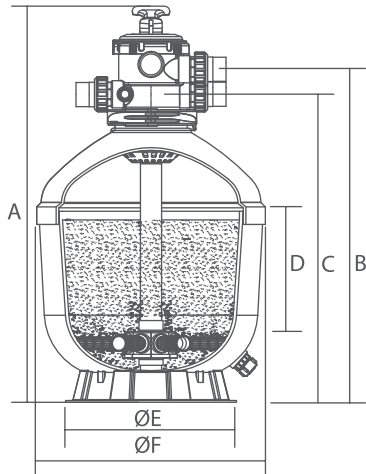


## COMBINATION OF QUALITY AND ELEGANCE

Emaux Gelcoat Filters are produced by skilled workers and experienced engineers in modern manufacturing facilities. Each product is subject to a 100% inspection at every production stage and a strict hydrostatic pressure test. In order to achieve their best performance, 20,000 cycle tests were conducted to determine the specifications of the filters.

# TMG Series

## Top Mount Filters



### TMG Series Product Dimensions

Model	A mm	B mm	C mm	D mm	E mm	F mm
TMG500	886	750	693	286	390	500
TMG650	998	862	805	318	500	650
TMG650(B)	1034	887	821	251	500	650
TMG750	1159	1029	945	393	500	750
TMG900	1294	1163	1080	450	780	900

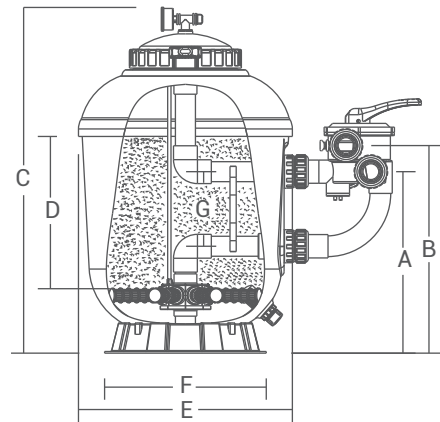
### TMG Series Technical Information

Code	Model	Filter Area (m <sup>2</sup> )	Valve Connections	Max Flow Rate	Sand (kg)
88015504	TMG500	0.20	1.5" / 50mm	167 lpm 10.0m <sup>3</sup> /h	88
88015505	TMG650	0.33	1.5" / 50mm	275 lpm 16.5m <sup>3</sup> /h	158
88015506	TMG650(B)	0.33	2.0" / 63mm	275 lpm 16.5m <sup>3</sup> /h	158
88015563	TMG750	0.44	2.0" / 63mm	366 lpm 22.0m <sup>3</sup> /h	260
88015564	TMG900	0.64	2.0" / 63mm	533 lpm 32.0m <sup>3</sup> /h	422



# SMG Series

## Side Mount Filters



### SMG Series Product Dimensions:

Model	A mm	B mm	C mm	D mm	E mm	F mm	G mm
SMG500	424	487	845	360	516	390	180
SMG650	472	535	943	380	666	500	180
SMG750	517	603	1015	440	770	500	220
SMG900	583	669	1165	480	920	780	220

### SMG Series Technical Information

Code	Model	Filter Area (m <sup>2</sup> )	Valve Connections	Max Flow Rate	Sand (kg)
88014004	SMG500	0.20	1.5" / 50mm	167 lpm 10.0m <sup>3</sup> /h	100
88014005	SMG650	0.33	1.5" / 50mm	275 lpm 16.5m <sup>3</sup> /h	150
88014063	SMG750	0.44	2.0" / 63mm	369 lpm 22.1m <sup>3</sup> /h	250
88014064	SMG900	0.64	2.0" / 63mm	531 lpm 31.8m <sup>3</sup> /h	375



# SMG Series Commercial Gelcoat Filter

For semi-commercial pool / commercial hot spa

SMG Commercial Filter is equipped with :

1. 6-way multiport valve
2. universal standard of union connection
3. pressure gauge
4. ABS lateral system
5. piping kit

## Tank Material

Gelcoat Fiberglass

## Max Operating Pressure

36 psi / 2.5 bar

## Max Temperature

43°C (109°F)

## Suggested Size of Media

0.5-0.8mm

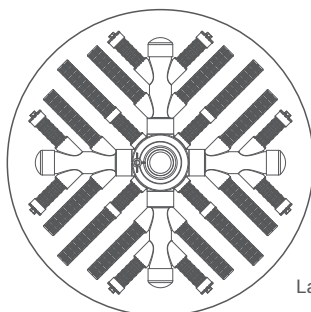


## Technical Information

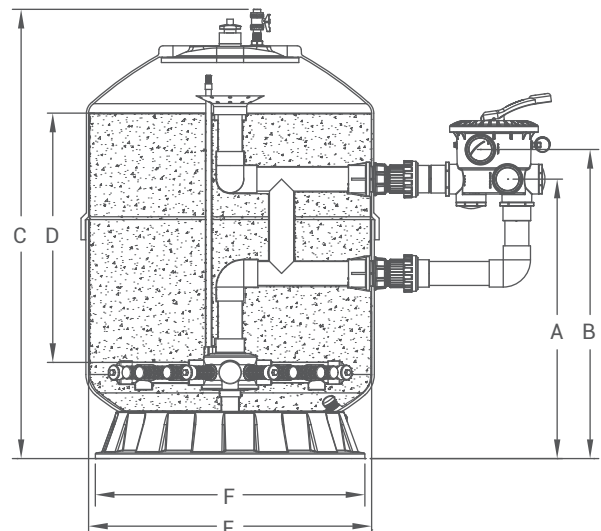
Code	Model	Filter Area (m <sup>2</sup> )	Valve Connections	Max Flow Rate	Sand (kg)
9011607	SMG1050C	0.86	2.5" / 75mm	717 lpm 43.0m <sup>3</sup> /h	1200
9011605	SMG1050	0.86	3.0" / 90mm	717 lpm 43.0m <sup>3</sup> /h	1200
9011606	SMG1200	1.13	3.0" / 90mm	942 lpm 56.5m <sup>3</sup> /h	1600

## Product Dimensions

Model	A mm	B mm	C mm	D mm	E mm	F mm
SMG1050C	687	784	1686	1000	1050	1000
SMG1050	1047	1157	1686	1000	1050	1000
SMG1200	1040	1150	1724	1000	1200	1000



Laterals



# SR Series Ring Lock Filter

For residential and semi-commercial pools

## Tank Material

Bobbin Wound  
Reinforced Fiberglass

## Max Operating Pressure

36 psi / 2.5 bar

## Max Temperature

43°C (109°F)

## Suggested Size of Media

0.5-0.8mm

## SR Series Filter is equipped with :

1. 6-way multiport valve (1.5"MPV03, 2"MPV04)
2. universal standard of union connection
3. piping kit
4. pressure gauge
5. lateral system



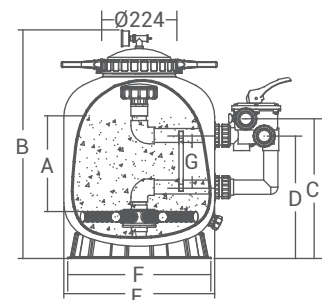
## FOR EASY MAINTENANCE



SR Series Ring Lock Filter includes a bobbin-wound fiberglass reinforced tank. With a UV-resistant surface finish, it is able to operate under prolonged sunlight for years of reliability. The transparent lid is designed for easy inspection of the sand bed. Without using any tools, the lid can be removed by turning the specially designed ring-lock, making maintenance much easier.

## Product Dimensions

Model	A mm	B mm	C mm	D mm	E mm	F mm	G mm
S450R	250	760	493	430	455	390	180
S500R	290	825	508	445	535	500	180
S650R	310	890	568	505	635	500	180
S700R	320	920	573	510	723	500	180
S700R(B)	350	920	606	520	723	500	220
S800R	380	1020	691	605	820	780	220
S900R	410	1130	741	655	920	780	220

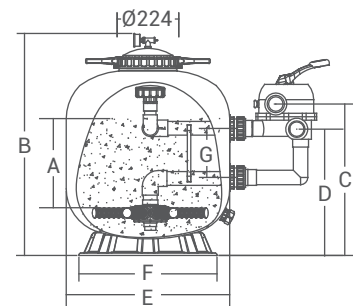


S450R-S700R

## Technical Information

Code	Model	Filter Area (m <sup>2</sup> )	Valve Connections	Max Flow Rate	Sand (kg)
88011103	S450R	0.16	1.5" / 50mm	135 lpm 8.10m <sup>3</sup> /h	45
88011104	S500R	0.22	1.5" / 50mm	185 lpm 11.10m <sup>3</sup> /h	85
88011105	S650R	0.32	1.5" / 50mm	260 lpm 15.60m <sup>3</sup> /h	145
88011107	S700R	0.40	1.5" / 50mm	325 lpm 19.50m <sup>3</sup> /h	210
88011108	S700R(B)	0.41	2.0" / 63mm	336 lpm 20.16m <sup>3</sup> /h	215
88011109	S800R	0.53	2.0" / 63mm	435 lpm 24.10m <sup>3</sup> /h	355
88011110	S900R	0.66	2.0" / 63mm	550 lpm 33.00m <sup>3</sup> /h	470

Suggested sand weight varies with the differences in filter media size. For reference only.



S450R-S700R

# SDB Series Deep Bed Filter

For residential and commercial pools

SDB Series Filter is equipped with :

1. 6-way multiport valve  
(2"MPV04, 2.5"MPV13)
2. universal standard of union connection
3. piping kit
4. pressure gauge
5. dual layers of laterals
6. accessories:  
Ø4" sight glass,  
Ø158mm manhole for servicing,  
Ø1.5" bottom drain



Model:  
SDB1000-1.2

## Tank Material

Bobbin Wound  
Reinforced Fiberglass

## Max Operating Pressure

36 psi / 2.5 bar

## Max Temperature

43°C (109°F)

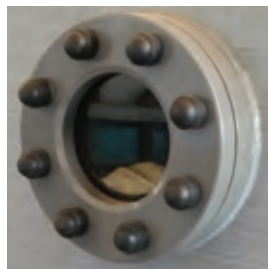
## Suggested Size of Media

0.5-0.8mm

## Features



Manhole



Sightglass



Dual Lateral System



Bottom Drain



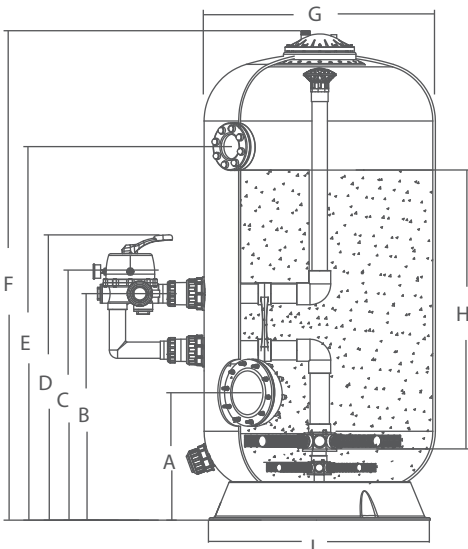
# SUPERIOR FILTRATION THROUGH AN EXTENDED SAND BED

With its 1.0m or 1.2m deep sand bed and dual laterals, SDB Series Side Mount Deep Bed Filter offers an enhanced filtration and provides a high-performance solution for residential and commercial pools and spas. It is UV- resistant and can operate under prolonged sunlight.

## Technical Information

Code	Model	Filter Area (m <sup>2</sup> )	Valve Connections	Max Flow Rate	Sand (kg)
88013835	SDB700-1.0	0.38	2.0" / 63mm	253 lpm 15.20m <sup>3</sup> /h	580
88013836	SDB700-1.2	0.38	2.0" / 63mm	253 lpm 15.20m <sup>3</sup> /h	696
88013837	SDB800-1.0	0.50	2.0" / 63mm	333 lpm 20.00m <sup>3</sup> /h	769
88013838	SDB800-1.2	0.50	2.0" / 63mm	333 lpm 20.00m <sup>3</sup> /h	914
88013839	SDB900-1.0	0.63	2.0" / 63mm	420 lpm 25.20m <sup>3</sup> /h	957
88013840	SDB900-1.2	0.63	2.0" / 63mm	420 lpm 25.20m <sup>3</sup> /h	1146
88013853	SDB900(C)-1.0	0.63	2.5" / 75mm	525 lpm 25.20m <sup>3</sup> /h	957
88013854	SDB900(C)-1.2	0.63	2.5" / 75mm	525 lpm 25.20m <sup>3</sup> /h	1146
88013841	SDB1000-1.0	0.78	2.0" / 63mm	520 lpm 31.20m <sup>3</sup> /h	1204
88013842	SDB1000-1.2	0.78	2.0" / 63mm	520 lpm 31.20m <sup>3</sup> /h	1436
88013855	SDB1000(C)-1.0	0.78	2.5" / 75mm	650 lpm 31.20m <sup>3</sup> /h	1204
88013856	SDB1000(C)-1.2	0.78	2.5" / 75mm	650 lpm 31.20m <sup>3</sup> /h	1436

## Product Dimensions



Model No	A mm	B mm	C mm	D mm	E mm	F mm	G mm	H mm	I mm
SDB700-1.0	500	750	844	987	1270	1672	700	1000	680
SDB700-1.2	500	750	844	987	1470	1872	700	1200	680
SDB800-1.0	500	750	838	981	1270	1702	800	1000	740
SDB800-1.2	500	750	838	981	1470	1902	800	1200	740
SDB900-1.0	500	750	857	1000	1270	1735	900	1000	860
SDB900-1.2	500	750	857	1000	1470	1935	900	1200	860
SDB900(C)-1.0	500	750	931	1083	1270	1735	900	1000	860
SDB900(C)-1.2	500	750	931	1083	1470	1938	900	1200	860
SDB1000-1.0	530	850	971	1114	1270	1813	1000	1000	960
SDB1000-1.2	530	850	971	1199	1470	2013	1000	1200	960
SDB1000(C)-1.0	530	850	1045	1282	1270	1813	1000	1000	960
SDB1000(C)-1.2	530	850	1045	1282	1470	2013	1000	1200	960

# Galaxy Single-Element Cartridge Filter

For residential and semi-commercial pools



Product Video

## Features

Large water drain



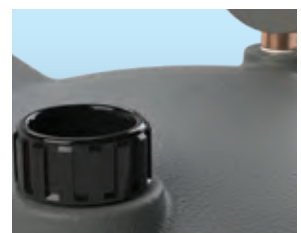
Smart pressure gauge



Quick-release lock ring



Air relief valve



# Deliver Optimal Sparkling Clear Water

Galaxy Single-Element Cartridge Filter is built with high-strength and UV-resistant material to prolong the product life. The compact and low height design is suitable for any pool especially with limited system setup space. The extensive dirt-catching capability of the filter element makes this filter highly efficient. A reliable choice for crystal clear water.

## User friendly

- 4 x mounting holes
- Easy-grip lid handle
- Indicative pressure gauge tells you when to service
- Knee-height tank base facilitates easy cartridge replacement

## Trouble-free maintenance

- Locking ring with quick-release latch allows removing and installing the top tank quickly.
- Large water drain makes fast and easy winterisation.
- Simple cleaning and rinsing the filter element with a garden hose.

## Eco-Friendly

Big one-piece cartridge element provides a large filtration surface for trapping more dirt and debris. Less cleaning required, and unlike sand filters, needs no backwashing thus saving water and its precious chemicals.



## Product Information:

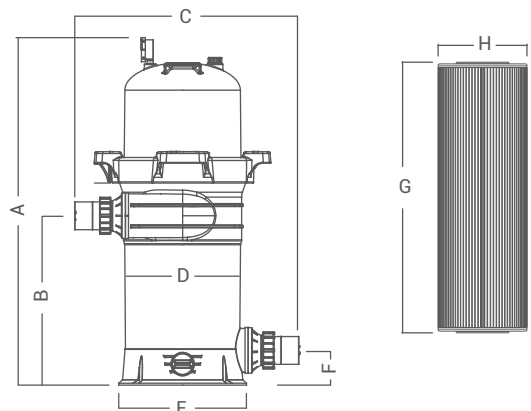
Code	Model	Filter Area		Flow Velocity		Max Flow Rate			In / Outlet Connections		A mm	B mm	C mm	D mm	E mm	F mm
		ft <sup>2</sup>	m <sup>2</sup>	gpm/ft <sup>2</sup>	m <sup>3</sup> /h/m <sup>2</sup>	gpm	lpm	m <sup>3</sup> /h	GB(mm)	ANSI						
9140401	ICF100	100	9.29	1.0	2.443	100	379	22.7	GB50	1.5"/2"	825	444.5	588	304	335	91
									GB63	2"/2.5"						
9140402	ICF150	150	13.94	0.8	1.955	120	454	27.2	GB50	1.5"/2"	910	444.5	588	304	335	91
									GB63	2"/2.5"						
9140403	ICF200	200	18.58	0.6	1.466	120	454	27.2	GB50	1.5"/2"	1033	444.5	588	304	335	91
									GB63	2"/2.5"						

## Cartridge Filter Element:

Code	Model	G mm	H mm	Micron $\mu$ m	Fold Number
914100004	ICF100-CE	497	$\varnothing$ 267	15	137
914100005	ICF150-CE	590	$\varnothing$ 267	15	172
914100006	ICF200-CE	717	$\varnothing$ 267	15	187

Galaxy Series Filter is equipped with :

1. universal standard of union connection
2. pressure gauge
3. cartridge filter element



# Galaxy Multi-element Cartridge Filter

For residential & commercial pool and spa

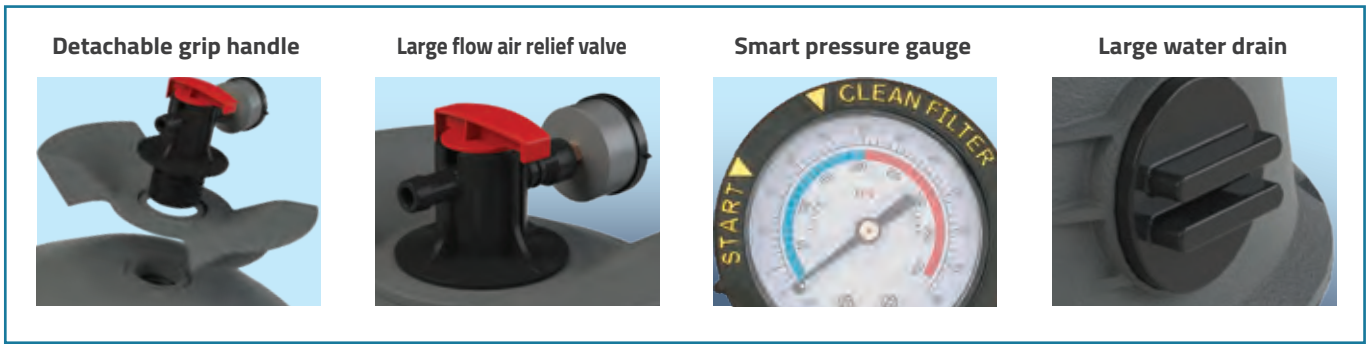


[Product Video](#)

## Deliver superior ultra clear water

The Galaxy Multi-Element Cartridge Filter is designed to be the best in its class. Adopting the latest technology and constructed with non-corroding and durable materials, the Emaux Galaxy Cartridge Filter has a bigger filter area than most models on the market. The high capacity tank partnered with the advanced multi-element raises hydraulic dirt-catching performance to new levels. Due to being eco and user friendly, it's the ideal choice for residential and commercial pools.

## Features



## User friendly

- Indicative pressure gauge tells you when to service
- Optional removable, easy-grip handle
- Knee-height tank base facilitates easy cartridge replacement

## Trouble-free maintenance

- 3-session clamp kit allows removing and installing the top tank quickly
- Large water drain makes fast, easy winterisation and simple cleaning and rinsing with a garden hose.

## Eco-Friendly

Multi-element provides an enormous surface area to block more dirt thus require less cleaning. Also, no backwashing is needed like sand filters. It can save a large amount of water every year.



## Product Information:

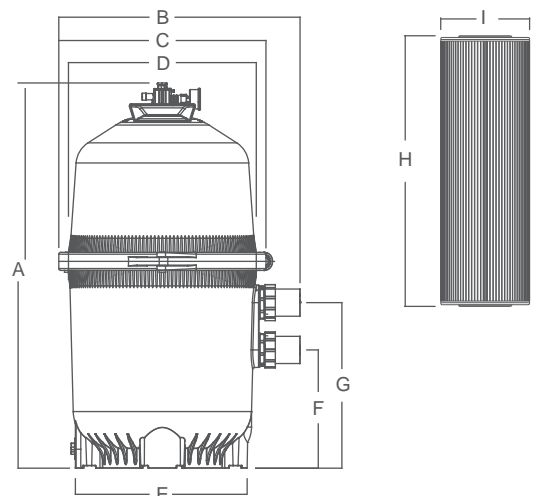
Code	Model	Filter Area		Flow Velocity		Max Flow Rate			In / Outlet Connections		A mm	B mm	C mm	D mm	E mm	F mm	G mm
		ft <sup>2</sup>	m <sup>2</sup>	gpm/ft <sup>2</sup>	m <sup>3</sup> /h/m <sup>2</sup>	gpm	lpm	m <sup>3</sup> /h	GB(mm)	ANSI							
9140404	ICF230	230	21.37	0.375	0.916	86.25	326	19.6	GB50	1.5"/2"	829	648	556	504	462	317.5	444.5
9140405	ICF330	330	30.66	0.375	0.916	123.75	468	28.1	GB50	1.5"/2"	886	648	556	504	462	317.5	444.5
9140406	ICF430	430	39.95	0.349	0.852	150	568	34.1	GB50	1.5"/2"	1035	648	556	504	462	317.5	444.5
9140407	ICF530	530	49.24	0.283	0.692	150	568	34.1	GB50	1.5"/2"	1223	648	556	504	462	317.5	444.5
9140408	ICF680	680	63.17	0.221	0.539	150	568	34.1	GB50	1.5"/2"	1362	648	556	504	462	317.5	444.5

## Cartridge Filter Element:

Code	Model	No. of Element	H mm	I mm	Micron µm	Fold Number
914100007	ICF230-CE	4	441	Ø178	15	156
914100008	ICF330-CE	4	498	Ø178	15	198
914100009	ICF430-CE	4	647	Ø178	15	197
914100010	ICF530-CE	4	835	Ø178	15	187
914100011	ICF680-CE	8	485	Ø178	15	209

Galaxy Series Filter is equipped with :

1. universal standard of union connection
2. pressure gauge
3. cartridge filter element



# CF Series Cartridge Filter

For residential and semi-commercial pools

Model: CF200

**Tank Material**

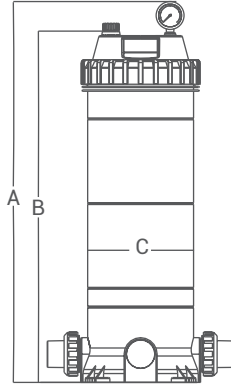
UV Resistant Plastic

**Max Operating Pressure**

250kPa/36psi(2.5bar)

**Max Temperature**

40°C (104°F)



Model: CF25

## COMPACT AND LIGHTWEIGHT

The CF Series Filter comes with a UV resistant tank and a heavy-duty ring-lock lid which allows easy cleaning and replacement of the cartridge element. A screw-type air bleed valve releases trapped air inside the filter tank. The high-quality oil-filled pressure gauge provides an easy overview of the operating pressure.

### Product Information:

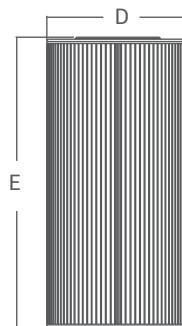
Code	Model	Filter Area (m <sup>2</sup> )	Valve Connections	Max Flow Rate	A mm	B mm	C mm
88060101	CF25	2.25	1.5" / 50mm	92 lpm 5.5m <sup>3</sup> /h	445	387	225
88060102	CF50	4.63	1.5" / 50mm	190 lpm 11.4m <sup>3</sup> /h	625	567	225
88060103	CF75	7.00	1.5" / 50mm	283 lpm 17.0m <sup>3</sup> /h	805	747	225
88060104	CF100	9.40	2.0" / 63mm	382 lpm 22.9m <sup>3</sup> /h	985	927	225
88060105	CF150	13.72	2.0" / 63mm	555 lpm 33.4m <sup>3</sup> /h	1165	1107	225
88060106	CF200	16.82	2.0" / 63mm	680 lpm 40.9m <sup>3</sup> /h	1345	1287	225

CF Series Filter is equipped with :

1. universal standard of union connection
2. pressure gauge
3. cartridge filter element

### Cartridge Filter Element:

Code	Model	D mm	E mm	Micron μm	Fold Number
88270101	CF25-CE	Ø183	184.5	15	150
88270102	CF50-CE	Ø183	364.5	15	150
88270103	CF75-CE	Ø183	544.5	15	150
88270104	CF100-CE	Ø183	724.5	15	150
88270105	CF150-CE	Ø183	904.5	15	175
88270106	CF200-CE	Ø183	544.5 x 2	15	180



# HD Series Deep Bed Filter

For domestic and light commercial filtration

## SLIM DESIGN AND EASY INSTALLATION

HD Series Deep Bed Filter is designed for filtering incoming water supply for domestic and light commercial use. Undesired particles such as rust, sand, dirt, and other impurities found in water are trapped by the filter bed, offering crystal clear filtered water. Simple operation, ultra-long life, robust weather, and sunlight resistant fiberglass tank.



### Tank Material

Bobbin Wound  
Reinforced Fiberglass

### Max Operating Pressure

100 psi / 7 bar

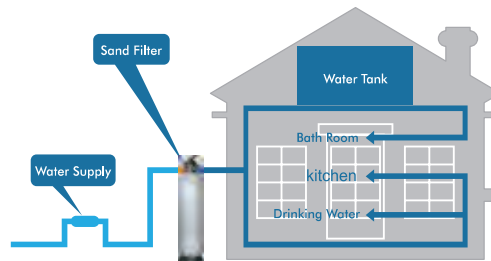
### Max Temperature

50°C (122°F)

### Suggested Size of Media

0.5-0.8mm

### Basic System Overview:



Model:  
HD13300

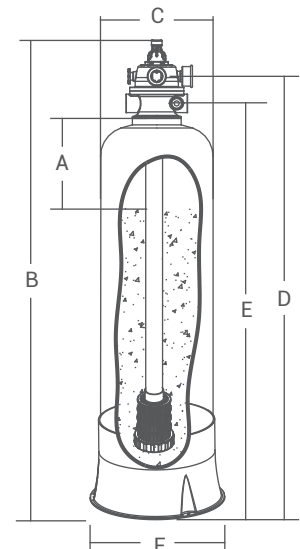
- HD Series Filter is equipped with :
1. 6-way screw style multiport valve (1" MPV06)
  2. universal standard of union connection
  3. pressure gauge
  4. lateral system

### Technical Information:

Code	Model	Filter Area (m <sup>2</sup> )	Valve Connections	Max Flow Rate	Sand (kg)
88012720	HD13300	0.07	1.0" / 33mm	58.5 lpm 3.51m <sup>3</sup> /h	75
88012721	HD13350	0.10	1.0" / 33mm	68.3 lpm 4.10m <sup>3</sup> /h	98
88012722	HD13400	0.13	1.0" / 33mm	78.0 lpm 4.68m <sup>3</sup> /h	130
88012723	HD15300	0.07	1.0" / 33mm	53.3 lpm 3.21m <sup>3</sup> /h	86
88012724	HD15350	0.10	1.0" / 33mm	62.5 lpm 3.75m <sup>3</sup> /h	118
88012725	HD15400	0.13	1.0" / 33mm	71.5 lpm 4.29m <sup>3</sup> /h	154

### Product Dimensions:

Model No	A mm	B mm	C mm	D mm	E mm	F mm
HD13300	400	1300	306	1204	1130	343
HD13350	400	1300	356	1204	1130	390
HD13400	400	1300	406	1204	1130	450
HD15300	500	1500	306	1404	1330	343
HD15350	500	1500	356	1404	1330	390
HD15400	500	1500	406	1404	1330	450





# COMMERCIAL FILTER

## MEETING HIGHEST DEMANDS

---

Our engineering experience and large glass fibre reinforced polyester (GRP) manufacturing facility enable us to produce a wide range of large-scale commercial sand filters. Constructed of a multi-layer moulded structural interior and an outer layer of computer controlled bobbin-wound filament, these sand filters are available with laterals or a nozzle plate system for the best air scouring. Optional accessories include sight glass, manhole, union drain, and air purge. A dual/triple evenly distributed manifold increases the flow rate.

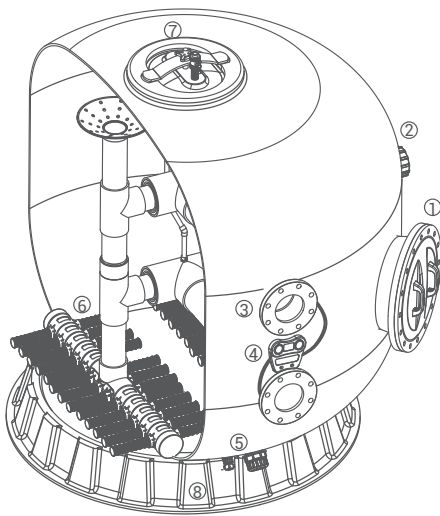




# Commercial Filter

## ABLE TO WORK AND RESIST EXTREME WEATHER CONDITIONS

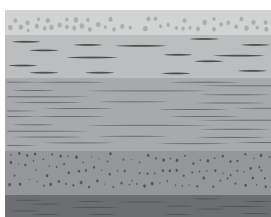
The filter tank is manufactured of durable, non-corrosive fiberglass and resin, with automatic bobbin winding technology, UV resistant composites, which allow the filter to operate under extreme weather conditions.



### Components:

- ① **Manhole**  
Lateral manhole for easy access to internal system maintenance and service
- ② **Sightglass**  
Allows great observation on media status and backwash effect
- ③ **Flange**  
Heavy duty FRP flange connections in either ANSI or DIN standard
- ④ **Manometer**  
High quality pressure gauge to monitor the pressure inside the filter tank
- ⑤ **Union Drain**  
A quick discharge point for water and filter media
- ⑥ **Lateral System**  
Constructed of ABS+PP material with rigid structure and 0.4mm slot
- ⑦ **Air Vent Valve**  
Release air bubble valve in the filtration system
- ⑧ **Base**  
Flat base for increase the stability

### Multi-layer construction (from inner to outer):



- ① ISO or VE gelcoat barrier, corrosion resistant
- ② Woven roving fibers with ISO polyester resin, water proofing
- ③ Woven roving with high content of fiberglass, structural strength
- ④ Continuous outer filament winding with ISO resin, reinforced to withstand pressure
- ⑤ PU surface coating, UV resistant and dirt protection



Computer controlled filament winding



Non-Corrosive



UV Resistance



Chemical Resistance



Nil Maintenance



Non-Electrical Conductive



Long Service Life



Low ratio of Thermal Expansion



Light and Easy Handling

# Commercial Filters NL, E, K Series

For competition swimming pools, aquatic parks, aquariums, commercial spas, fountains and water treatment plants

Filtration System

Laterals / Nozzles

Max Filtration Velocity

50m<sup>3</sup>/h/m<sup>2</sup>

Max Operating Pressure

36psi(2.5bar)

58psi(4.0bar)

Max Temperature

43°C (109°F)

Suggested Size of Media

0.5-0.8mm

1-2mm



## Product Features:

1. Multi-construction layers: non-corrosive and chemical protective
2. UV resistance, suitable for operation under prolonged sunlight
3. High filtration standard with deep sand bed
4. Bobbin wound fiberglass reinforcement with polyester resin
5. Available with laterals or nozzle plate system for air scouring capabilities
6. Optional accessories includes sight glass, manhole, union drain, and air purge.

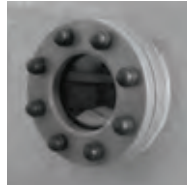
## EXCELLENT PERFORMANCE WITH DEEP SAND BED!

The filter tank is manufactured of durable, non-corrosive fiberglass and resin, with automatic bobbin winding technology, UV resistant composites, which allow the filter to operate under extreme weather conditions.

## Optional Accessories:

### Sightglass: 114mm

Code: E012072



### Air purge: 20mm

Code: E012054



### Manhole: Dia.400mm

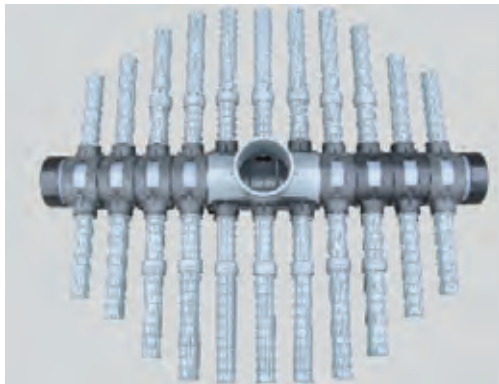
Code: 4105064354

### Manhole: Dia.500mm

Code: 4105067252



## Laterals System:

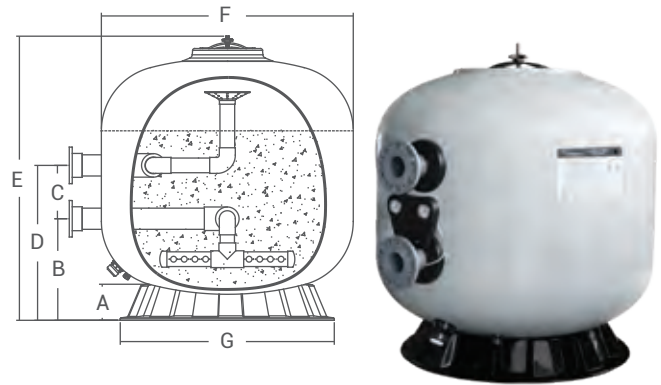


## Nozzle System:



Flange connection standard optional:  
GB(HG20592 PN1.0MPa) or ANSI(ANSI B16.5(1988) Class150)

## NL Series



### Product Dimensions

Model	A mm	B mm	C mm	D mm	E mm	F mm	G mm
NL1200	170	565	350	915	1410	1200	1000
NL1400	190	565	350	915	1570	1400	1220
NL1600	200	650	350	1000	1740	1620	1365
NL1800	220	690	415	1105	2040	1790	1630
NL2000	220	770	415	1185	2210	1945	1630
NL2300	230	950	550	1500	2510	2375	1800
NL2500	230	1050	550	1600	2670	2495	1800

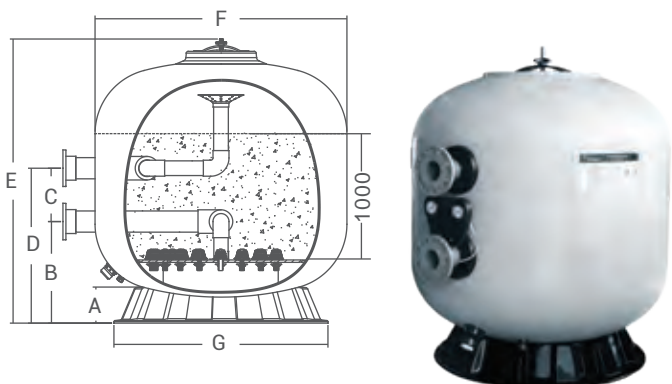
### With Laterals System

Code 2.5bar	Code 4bar	Model	Vol. (m <sup>3</sup> )	Filter Area (m <sup>2</sup> )	Flange Connections		Max Flow Rate		Sand Weight (kg)	
					GB(mm)	ANSI	lpm	m <sup>3</sup> /h	0.5-0.8mm	1-2mm
88012813	88013213	NL1200	1.17	1.13	80	3"	942	56.5	681	359
88012814	88013214	NL1400	1.64	1.54	100	4"	1283	77	941	460
88012815	88013215	NL1600	2.48	2.01	100	4"	1675	100.5	1412	771
88012816	88013216	NL1800	4.02	2.52	150	6"	2100	126	2366	1343
88012817	88013217	NL2000	4.61	2.97	150	6"	2475	148.5	2781	1375
88012818	88013218	NL2300	8.09	4.34	200	8"	3617	217	5539	1682
88012819	88013219	NL2500	10.00	4.89	200	8"	4075	244.5	6366	1972

### With Nozzle System

Code 2.5bar	Code 4bar	Model	Vol. (m <sup>3</sup> )	Filter Area (m <sup>2</sup> )	Flange Connections		Max Flow Rate		Sand Weight (kg)	
					GB(mm)	ANSI	lpm	m <sup>3</sup> /h	0.5-0.8mm	1-2mm
88013313	88013413	NL1200	1.17	1.13	80	3"	942	56.5	575	274
88013314	88013414	NL1400	1.64	1.54	100	4"	1283	77	778	382
88013315	88013415	NL1600	2.48	2.01	100	4"	1675	100.5	1208	496
88013316	88013416	NL1800	4.02	2.52	150	6"	2100	126	2167	609
88013317	88013417	NL2000	4.61	2.97	150	6"	2475	148.5	2550	715
88013318	88013418	NL2300	8.09	4.34	200	8"	3617	217	5075	972
88013319	88013419	NL2500	10.00	4.89	200	8"	4075	244.5	5815	1117

# E Series



## Product Dimensions

Model	A mm	B mm	C mm	D mm	E mm	F mm	G mm
E1050	170	625	550	1175	1816	1050	960
E1200	190	630	550	1180	1816	1200	995
E1400	200	630	550	1180	1816	1400	1220
E1600	220	720	490	1210	1916	1600	1365
E1800	220	750	440	1190	1956	1800	1630
E2000	230	770	490	1260	2060	2000	1630
E2200	230	940	500	1440	2376	2200	1800

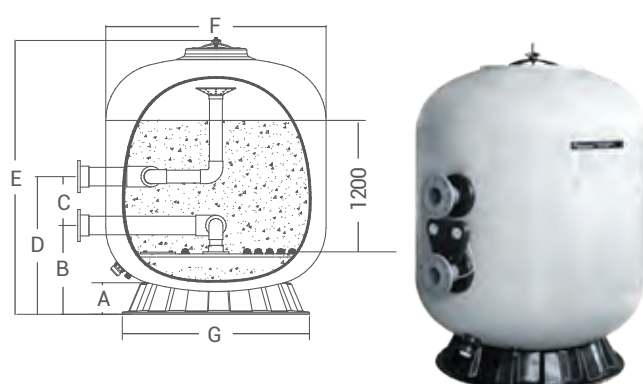
## With Laterals System

Code 2.5bar	Code 4bar	Model	Vol. (m³)	Filter Area (m²)	Flange Connections		Max Flow Rate		Sand Weight (kg)	
					GB(mm)	ANSI	lpm	m³/h	0.5-0.8mm	1-2mm
9014801	9014802	E1050	1.24	0.86	80	3"	717	43	859	272
9014805	9014806	E1200	1.56	1.13	80	3"	942	56.5	1075	428
9014809	9014810	E1400	2.10	1.54	100	4"	1283	77	1495	498
9014813	9014814	E1600	2.84	2.01	100	4"	1675	100.5	1997	949
9014817	9014818	E1800	3.69	2.54	150	6"	2117	127	2366	1343
9014821	9014822	E2000	4.61	3.14	150	6"	2617	157	2781	1375
9014825	9014826	E2200	6.49	3.80	200	8"	3167	190	4568	1479

## With Nozzle System

Code 2.5bar	Code 4bar	Model	Vol. (m³)	Filter Area (m²)	Flange Connections		Max Flow Rate		Sand Weight (kg)	
					GB(mm)	ANSI	lpm	m³/h	0.5-0.8mm	1-2mm
9014803	9014804	E1050	1.24	0.86	80	3"	717	43	772	215
9014807	9014808	E1200	1.56	1.13	80	3"	942	56.5	982	269
9014811	9014812	E1400	2.10	1.54	100	4"	1283	77	1337	383
9014815	9014816	E1600	2.84	2.01	100	4"	1675	100.5	1809	496
9014819	9014820	E1800	3.69	2.54	150	6"	2117	127	2469	609
9014823	9014824	E2000	4.61	3.14	150	6"	2617	157	2550	715
9014827	9014828	E2200	6.49	3.80	200	8"	3167	190	4234	841

# K Series



## Product Dimensions

Model	A mm	B mm	C mm	D mm	E mm	F mm	G mm
K1050	170	625	550	1175	2016	1050	960
K1200	170	665	350	1015	2080	1200	995
K1400	190	675	350	1025	2175	1400	1220
K1600	200	775	350	1125	2310	1600	1365
K1800	220	780	415	1195	2320	1800	1630
K2000	220	865	415	1280	2460	2000	1630
K2300	230	1060	550	1610	2720	2350	1800
K2500	230	1120	550	1670	2750	2500	1800

## With Laterals System

Code 2.5bar	Code 4bar	Model	Vol. (m³)	Filter Area (m²)	Flange Connections		Max Flow Rate		Sand Weight (kg)	
					GB(mm)	ANSI	lpm	m³/h	0.5-0.8mm	1-2mm
9013047	9013048	K1050	1.41	0.86	80	3"	717	43	1105	281
88011513	88013513	K1200	1.93	1.13	80	3"	942	56.5	1319	457
88011514	88013514	K1400	2.57	1.54	100	4"	1283	77	1803	479
88011515	88013515	K1600	3.63	2.01	100	4"	1675	100.5	2341	867
88011516	88013516	K1800	4.73	2.54	150	6"	2100	126	2934	1133
88011517	88013517	K2000	5.86	3.14	150	6"	2475	148.5	3665	1751
88011518	88013518	K2300	8.96	4.34	200	8"	3617	217	6743	1668
88011519	88013519	K2500	10.39	4.90	200	8"	4075	244.5	7685	2103

## With Nozzle System

Code 2.5bar	Code 4bar	Model	Vol. (m³)	Filter Area (m²)	Flange Connections		Max Flow Rate		Sand Weight (kg)	
					GB(mm)	ANSI	lpm	m³/h	0.5-0.8mm	1-2mm
9013049	9013050	K1050	1.41	0.86	80	3"	717	43	1017	214
88012913	88013613	K1200	1.93	1.13	80	3"	942	56.5	1219	262
88012914	88013614	K1400	2.57	1.54	100	4"	1283	77	1661	360
88012915	88013615	K1600	3.63	2.01	100	4"	1675	100.5	2169	472
88012916	88013616	K1800	4.73	2.54	150	6"	2100	126	2722	592
88012917	88013617	K2000	5.86	3.14	150	6"	2475	148.5	3396	728
88012918	88013618	K2300	8.96	4.34	200	8"	3617	217	6308	986
88012919	88013619	K2500	10.39	4.90	200	8"	4075	244.5	7178	1044

# Commercial Filters H Series

For commercial pools, aquatic parks and aquariums and large scale water features

Filtration System

Laterals / Nozzles

Max Filtration Velocity

50m<sup>3</sup>/h/m<sup>2</sup>

Max Operating Pressure

36psi(2.5bar)

58psi(4.0bar)

Max Temperature

43°C (109°F)

Suggested Size of Media

0.5-0.8mm

1-2mm



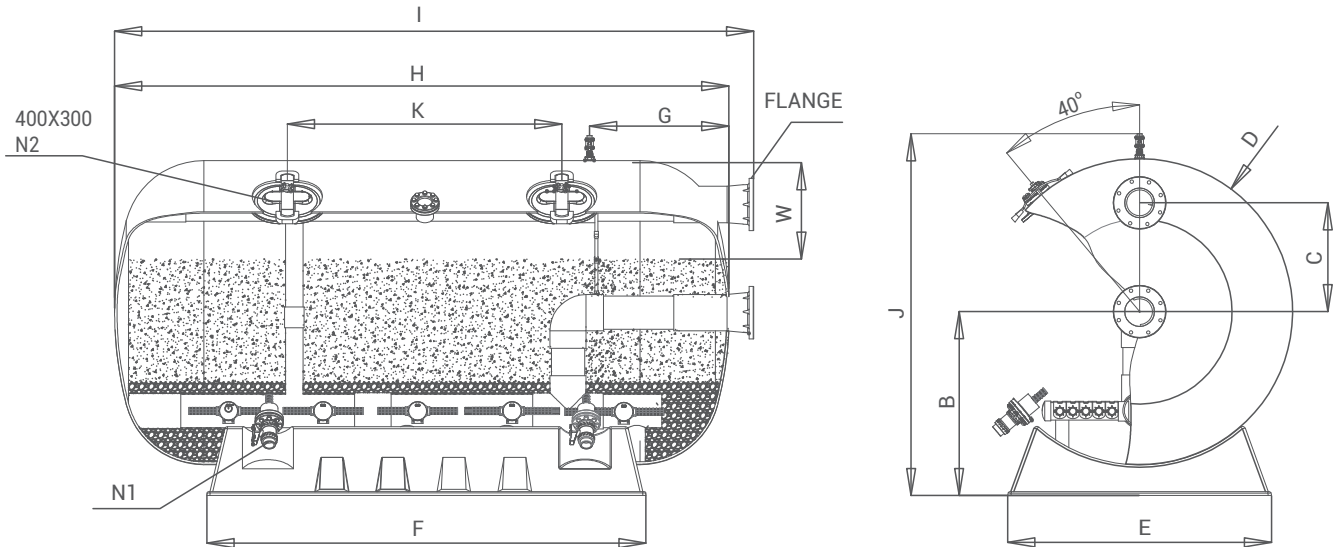
## LONG SERVICE LIFE, HIGH FILTRATION SURFACE

With the professional engineering experience and a large Glassfiber Reinforced Polyester (GRP) production facility, Emaux is capable to design and manufacture a wide variety of commercial sand filters constructed by a multiple-layer moulded structural inner layer, and a continues outer filament winding by computer controlled winding machines.

### Product Features:

1. Multi-construction layers: non-corrosive and chemical protective
2. UV resistance, suitable for operation under prolonged sunlight
3. Inner filtration system with evenly spread laterals enhances filtration performance.
4. Bobbin wound fiberglass reinforcement with polyester resin
5. Service manhole for easy maintenance
6. Equipped with manometer for easy reading of the working pressure of both inlet and outlet.

## Diagrams:



# H Series

**Diameter: 1200mm / Sand bed depth: 0.6m**

## Technical Information and Product Dimensions

Code 2.5bar	Code 4bar	Model	Flange Connections		Max. Flow Rate m <sup>3</sup> /h	Velocity m <sup>3</sup> /h/m <sup>2</sup>	Filtration Area(m <sup>2</sup> )	Sand (kg)		Dimensions (mm)												
			GB(mm)	ANSI				0.4-0.8 mm	1-2mm	B	C	D	E	F	G	H	I	J	K	N1 size pcs	N2	W
88350102	88350107	H1200-1.9	100	4"	39	20	1.96	1100	425	747	325	1200	1100	1190	650	1900	2030	1500	/	2"*1	1	350
88350103	88350108		150	6"	79	40											2060		/			
88350202	88350207	H1200-2.3	100	4"	48	20	2.42	1425	550	747	325	1200	1100	1590	650	2300	2430	1500	/	2"*1	1	350
88350203	88350208		150	6"	97	40											2460		/			
88350302	88350307	H1200-2.5	100	4"	53	20	2.65	1750	700	747	325	1200	1100	1790	650	2500	2630	1500	/	2"*1	1	350
88350303	88350308		150	6"	107	40											2660		/			
88350402	88350407	H1200-2.7	100	4"	57	20	2.87	2075	825	747	325	1200	1100	1990	650	2700	2830	1500	/	2"*1	1	350
88350403	88350408		150	6"	115	40											2860		/			
88350502	88350507	H1200-3.0	100	4"	64	20	3.21	2325	925	747	325	1200	1100	2290	650	3000	3130	1500	1330	2"*1	2	350
88350503	88350508		150	6"	129	40											3160		1330			

**Diameter: 1400mm / Sand bed depth: 0.8m**

## Technical Information and Product Dimensions

Code 2.5bar	Code 4bar	Model	Flange Connections		Max. Flow Rate m <sup>3</sup> /h	Velocity m <sup>3</sup> /h/m <sup>2</sup>	Filtration Area(m <sup>2</sup> )	Sand (kg)		Dimensions (mm)												
			GB(mm)	ANSI				0.4-0.8 mm	1-2mm	B	C	D	E	F	G	H	I	J	K	N1 size pcs	N2	W
88350602	88350607	H1400-1.9	100	4"	45	20	2.23	2100	575	847	390	1400	1130	1340	730	1900	2030	1700	/	2"*1	1	390
88350603	88350608		150	6"	89	40											2060		/			
88350702	88350707	H1400-2.5	100	4"	60	20	3.02	2825	800	847	390	1400	1130	1840	730	2500	2630	1700	/	2"*1	1	390
88350703	88350708		150	6"	121	40											2660		/			
88350802	88350807	H1400-3.0	100	4"	73	20	3.67	3450	1000	847	390	1400	1130	2340	730	3000	3130	1700	1260	2"*1	2	390
88350803	88350808		150	6"	110	30											3160		1260			
88350804	88350809		200	8"	147	40											3180		1260	2"*1	2	390

# H Series

## Diameter: 1600mm / Sand bed depth: 1.0m

### Technical Information and Product Dimensions

Code 2.5bar	Code 4bar	Model	Flange Connections		Max. Flow Rate m³/h	Velocity m³/h/m²	Filtration Area (m²)	Sand (kg)		Dimensions (mm)												
			GB(mm)	ANSI				0.4-0.8mm	1-2mm	B	C	D	E	F	G	H	I	J	K	N1 size*pcs	N2	W
88350902	88350907	H1600-1.9	100	4"	49	20	2.47	2850	600	945	475	1600	1440	1210	810	1900	2130	1900	/	4"*1	1	470
88350903	88350908		150	6"	99	40											2160		/	4"*1	1	
88351003	88351008	H1600-2.5	150	6"	101	30	3.36	3875	850	945	475	1600	1440	1710	810	2500	2660	1900	/	4"*1	1	470
88351004	88351009		200	8"	134	40											2680		/	4"*1	1	
88351103	88351108	H1600-3.0	150	6"	123	30	4.10	4750	1050	945	475	1600	1440	2210	810	3000	3160	1900	1200	4"*1	2	470
88351104	88351109		200	8"	164	40											3180		1200	4"*1	2	

## Diameter: 1800mm / Sand bed depth: 1.0m

### Technical Information and Product Dimensions

Code 2.5bar	Code 4bar	Model	Flange Connections		Max. Flow Rate m³/h	Velocity m³/h/m²	Filtration Area (m²)	Sand (kg)		Dimensions (mm)												
			GB(mm)	ANSI				0.4-0.8mm	1-2mm	B	C	D	E	F	G	H	I	J	K	N1 size*pcs	N2	W
88351203	88351208	H1800-2.5	150	6"	112	30	3.74	4850	975	1100	550	1800	1380	1560	850	2500	2660	2170	/	4"*1	1	530
88351204	88351209		200	8"	150	40											2680	2170	/	4"*1	1	
88351303	88351308	H1800-3.0	150	6"	137	30	4.58	5925	1225	1100	550	1800	1380	2060	850	3000	3160	2170	/	4"*1	1	530
88351304	88351309		200	8"	183	40											3180	2170	/	4"*1	1	
88351404	88351409	H1800-3.5	200	8"	162	30	5.41	7000	1475	1100	550	1800	1380	2560	850	3500	3680	2170	1300	4"*1	2	530
88351405	88351410		250	10"	216	40											3680	2170	1300	4"*1	2	
88351503	88351508	H1800-4.0	150	6"	125	20	6.25	8075	1700	1100	550	1800	1380	3060	850	4000	4160	2170	1820	4"*2	2	530
88351504	88351509		200	8"	187	30											4180	2170	1820	4"*2	2	
88351505	88351510		250	10"	250	40											4180	2170	1820	4"*2	2	

## Diameter: 2000mm / Sand bed depth: 1.2m

### Technical Information and Product Dimensions

Code 2.5bar	Code 4bar	Model	Flange Connections		Max. Flow Rate m³/h	Velocity m³/h/m²	Filtration Area (m²)	Sand (kg)		Dimensions (mm)												
			GB(mm)	ANSI				0.4-0.8mm	1-2mm	B	C	D	E	F	G	H	I	J	K	N1 size*pcs	N2	W
88351603	88351608	H2000-2.5	150	6"	130	30	4.34	6576	1050	1200	710	2000	1720	1380	1000	2500	2660	2370	/	4"*1	1	700
88351604	88351609		200	8"	174	40											2680		/	4"*1	1	
88351703	88351708	H2000-3.0	150	6"	159	30	5.30	8025	1300	1200	710	2000	1720	1880	1000	3000	3160	2370	/	4"*1	1	700
88351704	88351709		200	8"	212	40											3180		/	4"*1	1	
88351803	88351808	H2000-3.5	150	6"	125	20	6.25	9475	1550	1200	710	2000	1720	2380	1000	3500	3660	2370	1300	4"*1	2	700
88351804	88351809		200	8"	187	30											3680		2370	1300	4"*1	
88351805	88351810	H2000-4.0	250	10"	250	40	7.21	10925	1800	1200	710	2000	1720	2880	1000	4000	3680	2370	1800	4"*1	2	700
88351903	88351908		150	6"	144	20											4160		2370	1800	4"*2	
88351904	88351909	H2000-4.5	200	8"	216	30	8.16	12375	2075	1200	710	2000	1720	3380	1000	4500	4180	2370	2300	4"*2	2	700
88351905	88351910		250	10"	288	40											4180		2370	2300	4"*2	
88352004	88352009	H2000-5.0	200	8"	245	30	9.11	13825	2350	1200	710	2000	1720	3880	1000	5000	4680	2370	2800	4"*2	2	700
88352005	88352010		250	10"	326	40											4680		2370	2800	4"*2	
9014437	9014438	H2000-5.0	200	8"	273	30	9.11	13825	2350	1200	710	2000	1720	3880	1000	5000	5270	2370	2800	4"*2	2	700
9014439	9014440		250	10"	364	40											5270		2370	2800	4"*2	

### Product Focuses:



Sightglass



Lateral System



Air Vent Valve



Union Drain



Base



Manometer



Manhole



Flange



# H Series

## Diameter: 2350mm / Sand bed depth: 1.2m

### Technical Information and Product Dimensions

Code 2.5bar	Code 4bar	Model	Flange Connections		Max. Flow Rate m <sup>3</sup> /h	Velocity m <sup>3</sup> /h/m <sup>2</sup>	Filtration Area (m <sup>2</sup> )	Sand (kg)		Dimensions (mm)													
			GB(mm)	ANSI				0.4-0.8mm	1-2mm	B	C	D	E	F	G	H	I	J	K	N1 size pcs	N2	W	
88352103	88352108		150	6"	119	20												3160	2730	/	4"*1	1	
88352104	88352109	H2350-3.0	200	8"	178	30	5.94	9300	2575	1390	710	2350	1950	1270	1180	3000		3180	2730	/	4"*1	1	750
88352105	88352110		250	10"	238	40												3180	2730	/	4"*1	1	
88352203	88352208		150	6"	141	20												3660	2730	/	4"*1	1	
88352204	88352209	H2350-3.5	200	8"	212	30	7.06	11050	3125	1390	710	2350	1950	1770	1180	3500		3680	2730	/	4"*1	1	750
88352205	88352210		250	10"	282	40												3680	2730	/	4"*1	1	
88352304	88352309	H2350-4.0	200	8"	163	20	8.17	12800	3650	1390	710	2350	1950	2270	1180	4000		4180	2730	1400	4"*2	2	750
88352305	88352310		250	10"	327	40												4180	2730	1400	4"*2	2	
88352404	88352409	H2350-4.5	200	8"	186	20	9.28	14525	4200	1390	710	2350	1950	2770	1180	4500		4680	2730	1900	4"*2	2	750
88352405	88352410		250	10"	371	40												4680	2730	1900	4"*2	2	
88352504	88352509		200	8"	208	20												5180	2730	2400	4"*2	2	
88352505	88352510	H2350-5.0	250	10"	312	30	10.4	16250	4750	1390	710	2350	1950	3270	1180	5000		5180	2730	2400	4"*2	2	750
88352511	88352512		300	12"	416	40												5180	2730	2400	4"*2	2	

## Diameter: 2500mm / Sand bed depth: 1.3m

### Technical Information and Product Dimensions

Code 2.5bar	Code 4bar	Model	Flange Connections		Max. Flow Rate m <sup>3</sup> /h	Velocity m <sup>3</sup> /h/m <sup>2</sup>	Filtration Area (m <sup>2</sup> )	Sand (kg)		Dimensions (mm)													
			GB(mm)	ANSI				0.4-0.8mm	1-2mm	B	C	D	E	F	G	H	I	J	K	N1 size pcs	N2	W	
88352603	88352608		150	6"	149	20												3660	2900	/	4"*1	1	
88352604	88352609	H2500-3.5	200	8"	223	30	7.34	11675	3175	1480	710	2500	2120	1850	1270	3500		3680	2900	/	4"*1	1	750
88352605	88352610		250	10"	297	40												3680	2900	/	4"*1	1	
88352704	88352709	H2500-4.0	200	8"	172	20	8.62	13500	3725	1480	710	2500	2120	2350	1270	4000		4180	2900	1200	4"*2	2	750
88352705	88352710		250	10"	345	40												4180	2900	1200	4"*2	2	
88352804	88352809		200	8"	196	20												4680	2900	1700	4"*2	2	
88352805	88352810	H2500-4.5	250	10"	294	30	9.80	15350	4300	1480	710	2500	2120	2850	1270	4500		4680	2900	1700	4"*2	2	750
88352811	88352812		300	12"	392	40												4680	2900	1700	4"*2	2	
88352904	88352909		200	8"	220	20												5180	2900	2200	4"*2	2	
88352905	88352910	H2500-5.0	250	10"	329	30	10.98	17200	4850	1480	710	2500	2120	3350	1270	5000		5180	2900	2200	4"*2	2	750
88352911	88352912		300	12"	439	40												5180	2900	2200	4"*2	2	

## Diameter: 3000mm / Sand bed depth: 1.5m

### Technical Information and Product Dimensions

Code 2.5bar	Code 4bar	Model	Flange Connections		Max. Flow Rate m <sup>3</sup> /h	Velocity m <sup>3</sup> /h/m <sup>2</sup>	Filtration Area (m <sup>2</sup> )	Sand (kg)		Dimensions (mm)													
			GB(mm)	ANSI				0.4-0.8mm	1-2mm	B	C	D	E	F	G	H	I	J	K	N1 size pcs	N2	W	
88353004	88353009		200	8"	180	20												3680	3410	/	4"*1	1	
88353005	88353010	H3000-3.5	250	10"	270	30	8.98	17850	4525	1730	710	3000	2600	1880	1480	3500		3680	3410	/	4"*1	1	1100
88353011	88353012		300	12"	360	40												3680	3410	/	4"*1	1	
88353104	88353109		200	8"	208	20												4180	3410	/	4"*1	1	
88353105	88353110	H3000-4.0	250	10"	312	30	10.40	20675	5300	1730	710	3000	2600	2380	1480	4000		4180	3410	/	4"*1	1	1100
88353111	88353112		300	12"	416	40												4180	3410	/	4"*1	1	
88353204	88353209		200	8"	236	20												4680	3410	/	4"*1	1	
88353205	88353210	H3000-4.5	250	10"	355	30	11.82	23500	6100	1730	710	3000	2600	2880	1480	4500		4680	3410	/	4"*1	1	1100
88353211	88353212		300	12"	473	40												4680	3410	/	4"*1	1	
88353304	88353309		200	8"	265	20												5180	3410	1600	4"*2	2	
88353305	88353310	H3000-5.0	250	10"	397	30	13.24	26300	6875	1730	710	3000	2600	3380	1480	5000		5180	3410	1600	4"*2	2	1100
88353311	88353312		300	12"	530	40												5180	3410	1600	4"*2	2	

# Dual Stack Sand Filters

For aquarium and large scale pool lagoons

---

Filtration System

Laterals

Design Filtration Velocity

$30\text{m}^3/\text{h}/\text{m}^2$

Max Operating Pressure

58psi(4.0bar)

Max Temperature

$43^\circ\text{C}$  ( $109^\circ\text{F}$ )

Suggested Size of Media

0.5-0.8mm

1-2mm

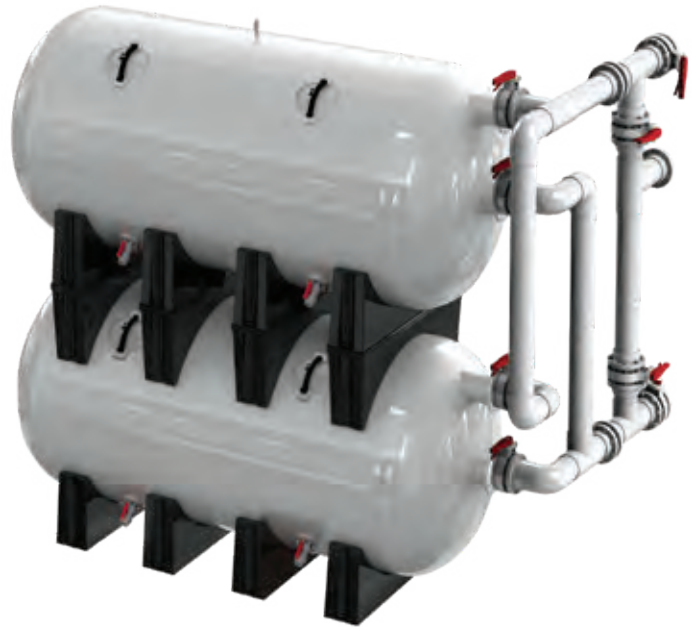


## DEMAND MINIMAL FOOTPRINT

The Emaux Dual Stack Sand Filter is engineered to the highest strength and durability. The filter is built to maximize long term performance to resist structural failures caused by corrosion and pressure. It offers a vertically stacked design that doubles the filtration capacity for the same footprint. The Dual Stack Sand Filter is ideal for high-load or high-flow of water facilities such as public pools and water parks.

## Product Features:

1. Minimizes the floor space for installation
2. Integral base design and self-supporting stackable structure
3. Available in a complete system using Emaux manifold valve systems
4. Optional Vinyl Ester coating maximizes corrosion resistance against saltwater and all kind of pool chemicals including ozone.



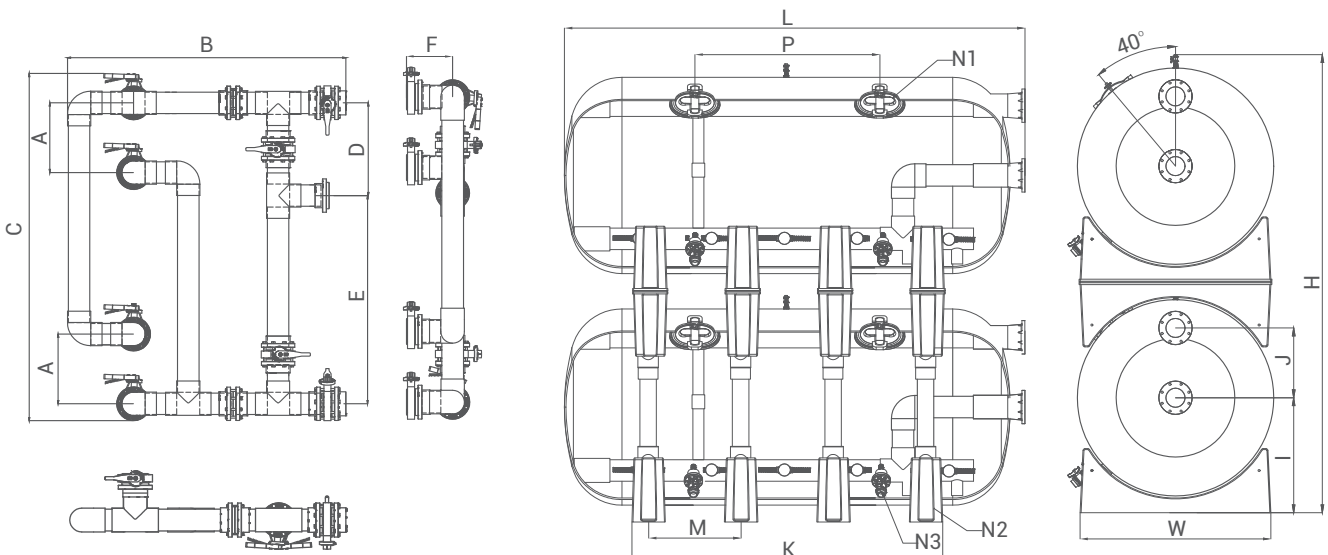
## Technical Information and Product Dimensions

Model	Tank Size (mm)	Filter Area (m <sup>2</sup> )	Flange Connections		Max. Flow Rate m <sup>3</sup> /h	Velocity m <sup>3</sup> /h/m <sup>2</sup>	Dimensions (mm)							N1 pcs	N2 pcs	N3 size*pcs	
			GB(mm)	ANSI			I	J	K	M	H	P	L				W
TH1400-2.5	1400X2500	3.02X2	160	6"	181	30	859	390	1660	1360	3428	--	2750	1370	2	2	2inch*2
TH1600-2.5	1600X2500	3.36X2	160	6"	201	30	959	475	1300	1000	3838	--	2750	1570	2	2	4inch*2
TH2000-4.5	2000X4500	8.16X2	200	8"	489	30	1161	710	3160	940	4634	1880	4770	1920	4	4	4inch*4

Flange connection standard optional: GB(HG20592 PN1.0MPa) or ANSI( ANSI B16.5(1988) Class150)

## Butterfly Valve Dimensions

Code	Model	Valve Connection		A (mm)	B (mm)	C (mm)	D (mm)	E (mm)	F (mm)
		GB(mm)	ANSI						
9080203	DBV60-TH1400	160	6"	390	1970	2805	386	2023	352
9080202	DBV60-TH1600	160	6"	475	1970	2396	386	1638	352
9080201	DBV80-TH2000	200	8"	710	2836	3538	940	2121	464



# Large Size Horizontal Sand Filter

For aquarium and large scale waterland

---



Filtration System

Laterals

Design Filtration Velocity

30m<sup>3</sup>/h/m<sup>2</sup>

Max Operating Pressure

58psi(4.0bar)

Max Temperature

43°C (109°F)

Suggested Size of Media

0.5-0.8mm

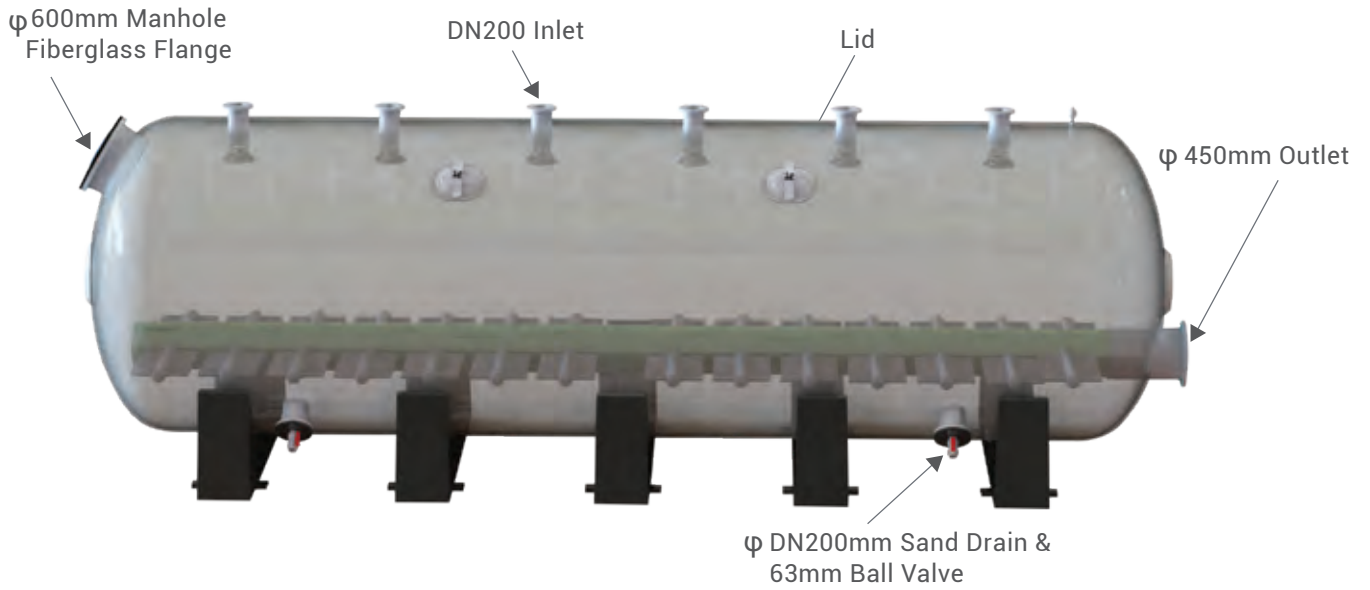
1-2mm

## CUSTOM-BUILT AVAILABLE HORIZONTAL GIANT!

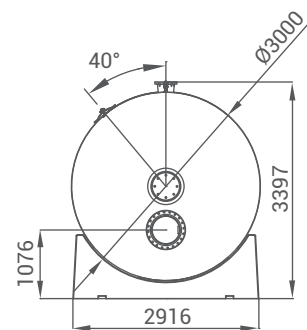
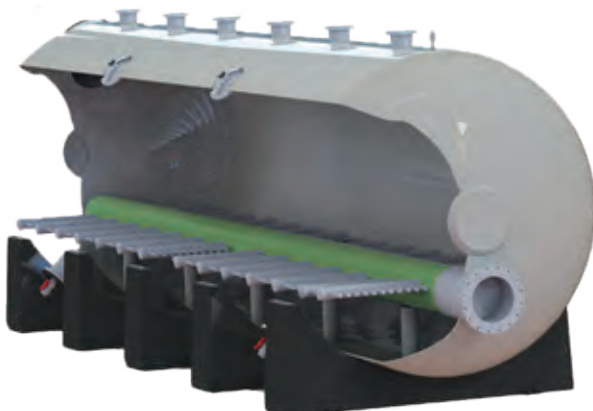
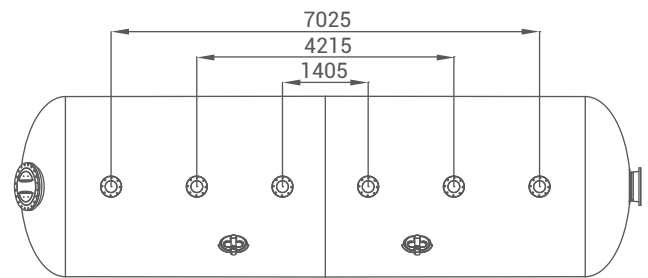
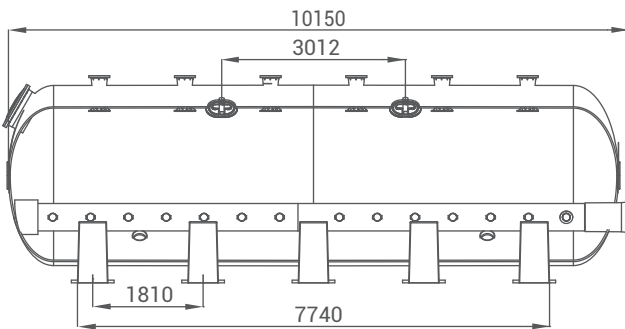
Horizontal sand filter provides a larger filtration area for installation space optimization. Emaux manufactures horizontal sand filter up to 3 meters in diameter and 10 meters in length. Emaux is also able to build to individual project requirements. Dimensions can be modified according to project specifications.

## Typical Specification Guideline

Model	Tank Size (mm)	Filter Area (m <sup>2</sup> )	Flange Connections		Max Flow Rate m <sup>3</sup> /h	Velocity m <sup>3</sup> /h/m <sup>2</sup>	Max Operation Pressure (Bar)
			GB(mm)	ANSI			
H3000 - 10.0	3000 x 10000	27.44	200/450	8"/18"	650	23.7	4



## Product Dimensions



# Custom-Built Service

## FIT ALL PROJECTS' NEEDS

Emaux offers a fully customized service from system design, dimensions, working pressure, connections, to internal and external finishing to meet your project needs.

The products are designed and manufactured in accordance with the latest international industry standards such as BS EN-13121, European Directive of Pressure Vessels 97/23/EC; and employ a quality assurance program that starts with confirmation and testing of raw materials right through all stages of the manufacture and final testing.

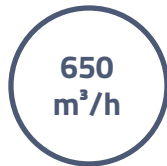
Each sand filter is individually pressure tested and comes with its own factory test certificate, quality assurance record, and serial number.



### Customized maximum size and performance:



Max Pressure



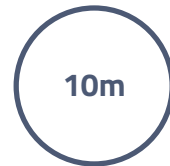
Max Flow Rate



Max Filtration Area



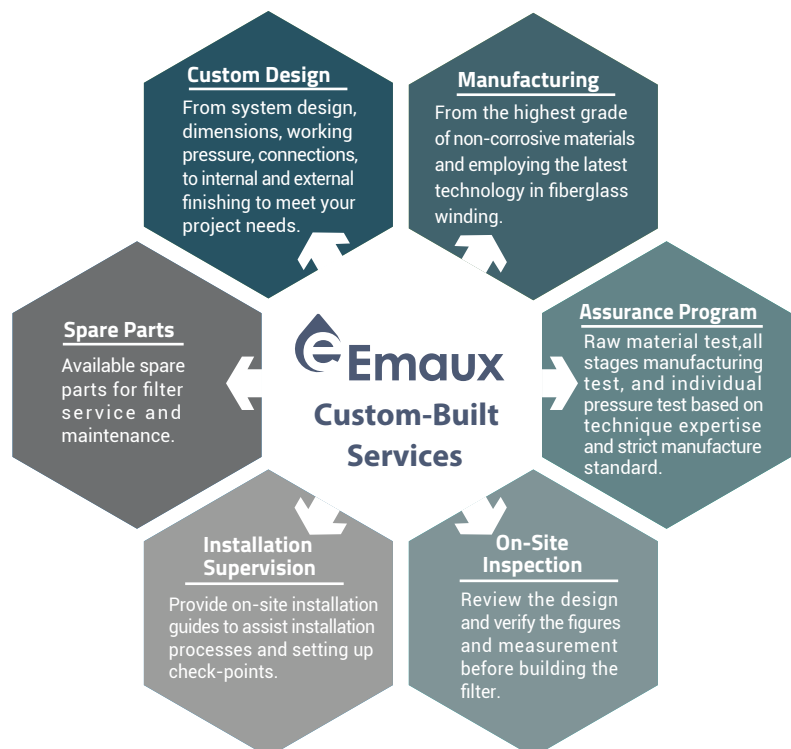
Max Diameter



Max Length

### Full customer supports from system design to on-site support

Emaux assists customers to review their design before building the filter, provide on-site inspection before installation, and installation supervision. Also, the availability of spare parts is ensured to extend the life of the product.







# FILTER SYSTEMS

## PLUG AND PLAY COMBOS

---

Pump-filter combo units offer the best cost-effective solutions for small to medium sized above-ground and residential pools. The Plug-and-Play, DIY installation couldn't be easier - the units come with pre-installed plumbing on a base. Different pump-filter combinations are available for various pools with different sizes and flow rates.





# Ultra Filter System FSU Series

For above-ground pools, with built-in timer option

Valve

4-Way Multiport Valve

Max Working Pressure

29psi/2bar

Max Water Temperature

40°C (104°F)

Suggested Size Of Media

0.5-0.8mm



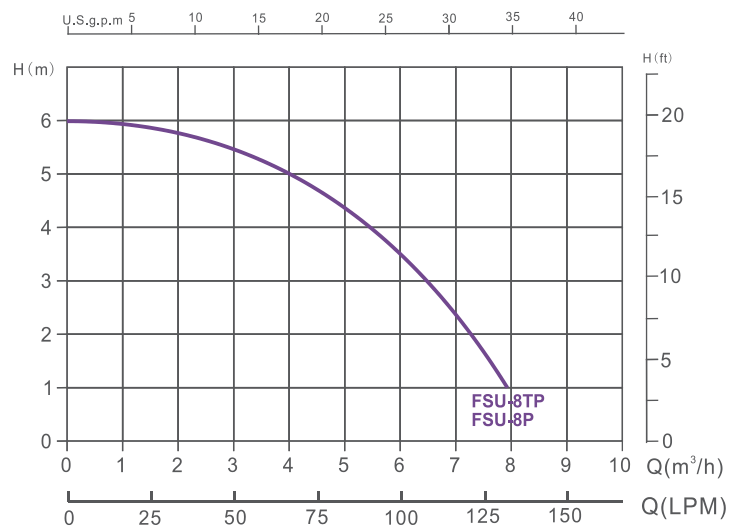
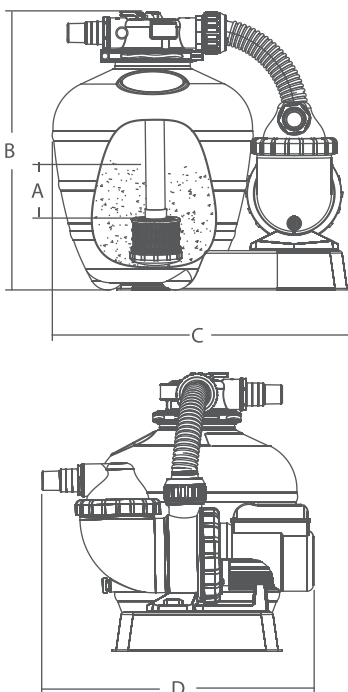
**A NEW Valve Upgrade  
2023 version**



## Product Information and Dimensions

Code	Model	Filter	Pump	Max. Flow Rate	Sand (kg)	A (mm)	B (mm)	C (mm)	D (mm)	Filter & Pump In/Out Connection	Adaptor
88033669	FSU-8TP	13" Filter	AMU020TP	133.3 lpm 8.0m³/h	17	145	460	494	450	1.5" / 50 mm	1 1/4" & 1 1/2" 32 & 38mm
88033671	FSU-8P	13" Filter	AMU020P	133.3 lpm 8.0m³/h	17	145	460	494	450	1.5" / 50 mm	1 1/4" & 1 1/2" 32 & 38mm

Note: Suggested sand weight varies with differences in filter media size. For reference only.



Note: Flow curve information based on 220V/50Hz motor.

### FSU Series Filtration Combo

includes:

1. Durable top mount plastic filter tank
2. 4-Way Multiport Valve
3. Aqua-Mini Pump (AMU020TP or AMU020P)
4. Timer (optional)

# Compact Filter System FSP Series

For above-ground pools

Valve

4-Way Multiport Valve

Max Working Pressure

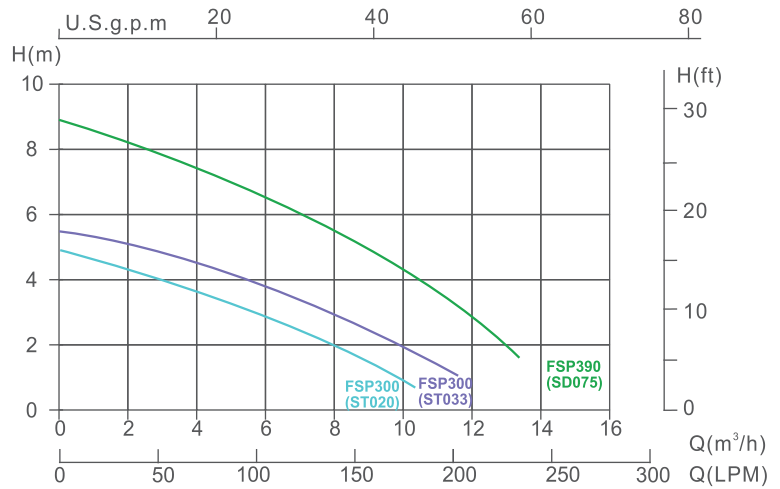
29psi/2bar

Max Water Temperature

40°C (104°F)

Suggested Size Of Media

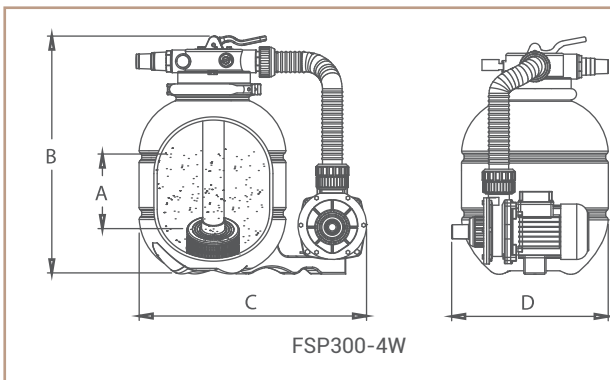
0.5-0.8mm



Note: Flow curve information based on 220V/50HZ motor.

## Product Information and Dimensions

Code	Model	Filter	Pump	Max. Flow Rate	Sand (kg)	A (mm)	B (mm)	C (mm)	D (mm)	Filter & Pump In/Out Connection	Adaptor
88030201	FSP300-4W	P300	ST020	58 lpm 3.5m³/h	19	145	540	485	330	1.5" / 50 mm	1 1/4" & 1 1/2" 32 & 38mm
88030202	FSP300-4W	P300	ST033	67 lpm 4.02m³/h	19	145	540	485	330	1.5" / 50 mm	1 1/4" & 1 1/2" 32 & 38mm
88033718	FSP390-4W	P390	SD075	133 lpm 8.00m³/h	35	235	724	760	527	1.5" / 50 mm	1 1/4" & 1 1/2" 32 & 38mm



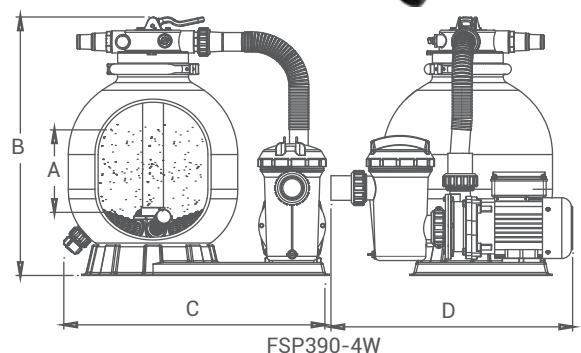
FSP300 Filtration Combo includes:

1. Durable top mount plastic filter tank (P300 Filter)
2. 4-Way Multiport Valve
3. ST Series Pump (ST020 or ST033)



FSP390 Filtration Combo includes:

1. Durable top mount plastic filter tank (P390 Filter)
2. 4-Way Multiport Valve
3. SD075 Pump



# FSP Series Filter System

For above-ground pools and residential pools

Valve

4 or 6-Way Multiport Valve

Max Working Pressure

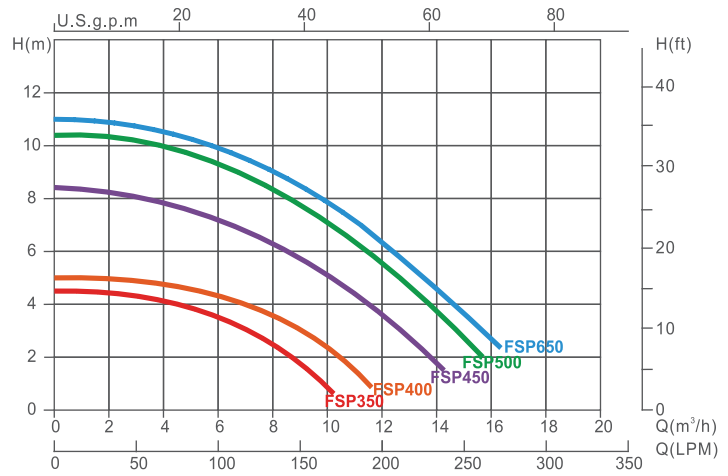
29psi/2bar

Max Water Temperature

40°C (104°F)

Suggested Size Of Media

0.5-0.8mm



Note: Flow curve information based on 220V/50Hz motor.

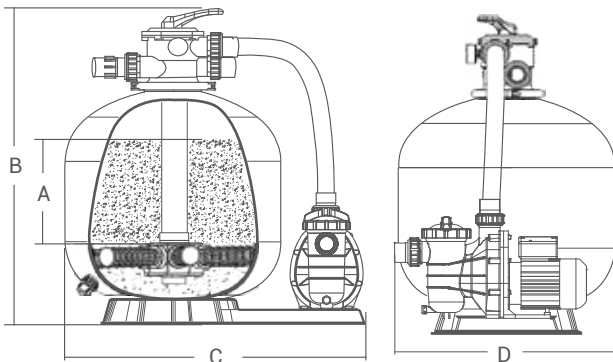
## Product Information and Dimensions

Code (4-way Valve)	Code (6-way Valve)	Model	Filter	Pump	Valve Connections	Sand (kg)	A (mm)	B (mm)	C (mm)	D (mm)	Max. Flow Rate
88030308	--	FSP350-4W	P350	SS020	1.5" / 50mm	20	160	580	555	350	72 lpm 4.32m³/h
88030409	--	FSP400-4W	P400	SS033	1.5" / 50mm	35	175	625	760	400	108 lpm 6.48m³/h
88030510	--	FSP450-4W	P450	SS050	1.5" / 50mm	45	210	680	760	449	135 lpm 8.10m³/h
88030611	--	FSP500-4W	P500	SS075	1.5" / 50mm	85	235	724	760	527	185 lpm 11.10m³/h
88030712	--	FSP650-4W	P650	SS100	1.5" / 50mm	145	300	832	760	627	260 lpm 15.60m³/h
--	88031508	FSP350-6W	P350	SS020	1.5" / 50mm	20	160	680	555	350	72 lpm 4.32m³/h
--	88031609	FSP400-6W	P400	SS033	1.5" / 50mm	35	175	759	760	400	108 lpm 6.48m³/h
--	88031710	FSP450-6W	P450	SS050	1.5" / 50mm	45	210	813	760	449	135 lpm 8.10m³/h
--	88031811	FSP500-6W	P500	SS075	1.5" / 50mm	85	235	856	760	527	185 lpm 11.10m³/h
--	88031912	FSP650-6W	P650	SS100	1.5" / 50mm	145	300	961	760	627	260 lpm 15.60m³/h

FSP Series Filtration Combo

includes:

1. Durable top mount plastic filter tank
2. 4 or 6-Way Multiport Valve
3. SS Series Pump



# FSF Series Filter System

For residential pools

## Valve

6-Way Multiport Valve

## Max Working Pressure

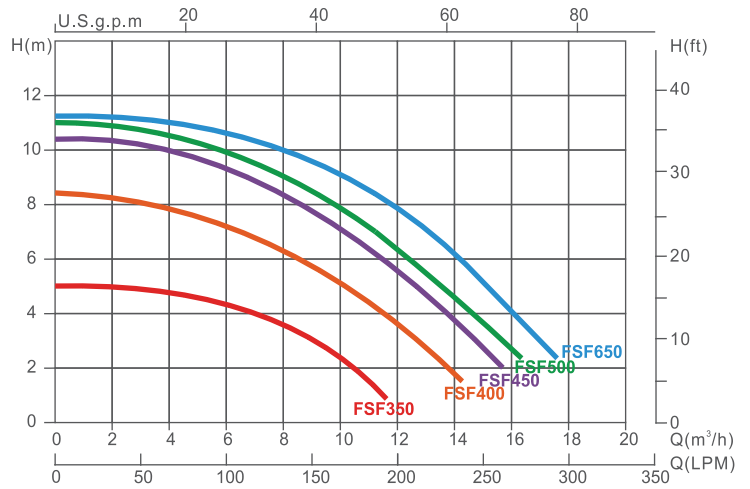
36psi/2.5bar

## Max Water Temperature

43°C (109°F)

## Suggested Size Of Media

0.5-0.8mm



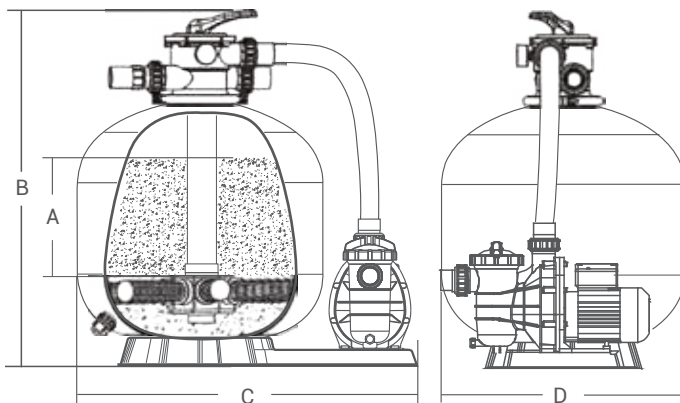
Note: Flow curve information based on 220V/50HZ motor.

## Product Information and Dimensions

Code	Model	Filter	Pump	Valve Connections	Sand (kg)	A (mm)	B (mm)	C (mm)	D (mm)	Max. Flow Rate
88032009	FSF350-6W	V350	SS033	1.5" / 50mm	20	160	680	555	355	72lpm 4.32m³/h
88032110	FSF400-6W	V400	SS050	1.5" / 50mm	35	175	759	760	410	108lpm 6.48m³/h
88032211	FSF450-6W	V450	SS075	1.5" / 50mm	45	210	813	760	455	135lpm 8.10m³/h
88032324	FSF500-6W	V500	SC100	1.5" / 50mm	85	235	856	760	535	185lpm 11.10m³/h
88032425	FSF650-6W	V650	SC150	1.5" / 50mm	145	300	961	760	635	260lpm 15.60m³/h

### FSF Series Filtration Combo includes:

1. Top mount fiberglass filter tank
2. 6-Way Multiport Valve
3. SS or SC Series Pump



Note: Suggested sand weight varies with the differences in filter media size. For reference only.

# FSM Series Filter System

For residential pools and semi-commercial pools

Valve

6-Way Multiport Valve

Max Working Pressure

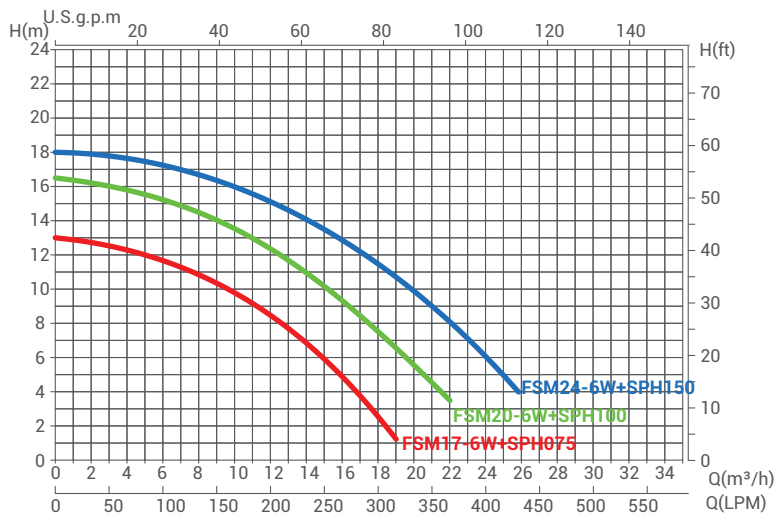
40psi/2.8bar

Max Water Temperature

50°C (122°F)

Suggested Size Of Media

0.5-0.8mm



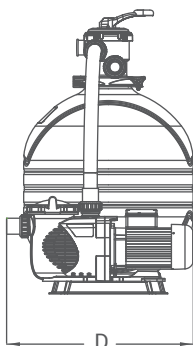
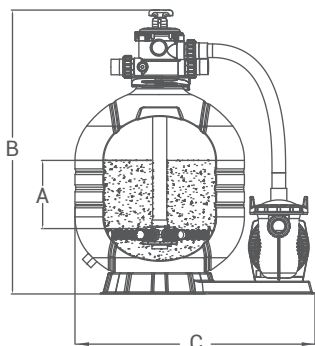
## Product Information and Dimensions

Code	Model	Filter	Pump	Sand (kg)	A (mm)	B (mm)	C (mm)	D (mm)	Filter & Pump In/Out Connection
9070602	FSM17-6W+SPH075	MFV17	SPH075	40	195	816	762.5	652	1.5" / 50 mm
9070603	FSM20-6W+SPH100	MFV20	SPH100	70	225	889	800	652	1.5" / 50 mm
9070604	FSM24-6W+SPH150	MFV24	SPH150	125	280	980	850	652	1.5" / 50 mm

FSM Filtration Combo

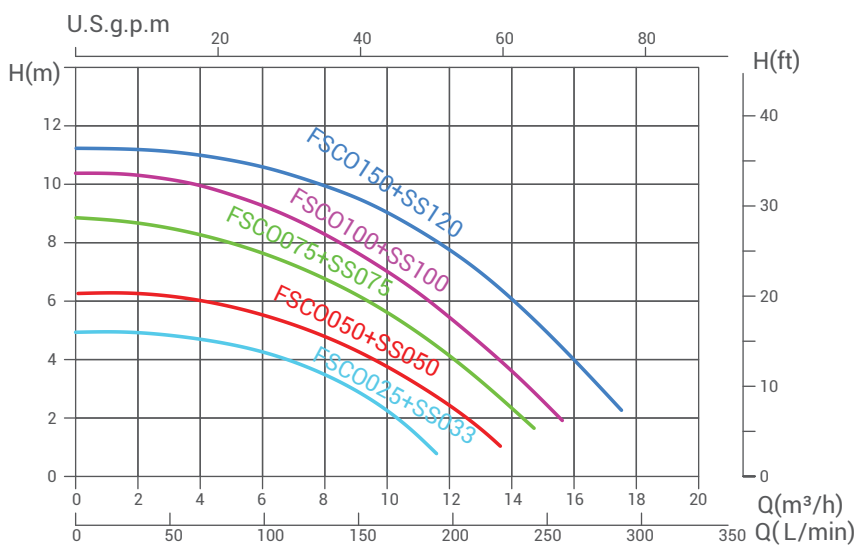
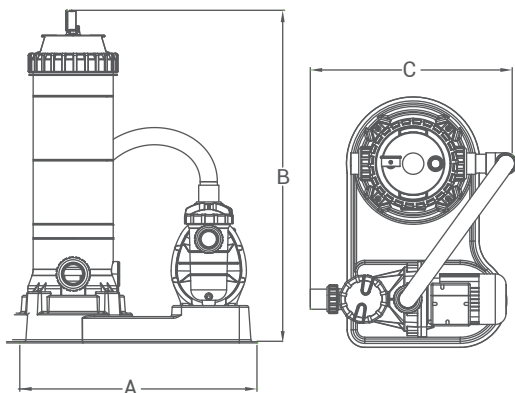
includes:

1. Durable top mount plastic filter tank (Max Series Filter)
2. 6-Way Multiport Valve
3. SPH Series Pump (SPH075, SPH100 or SPH150)



# FSCO Series Filter System

Include UV resistant cartridge filter tank



FSCO Series Filtration Combo includes:  
 1) Cartridge filter  
 2) Cartridge filter element  
 3) SS Series Pump

## Product Information and Dimensions

Code	Model	Cartridge Filter	Pump	Valve Connections	A (mm)	B (mm)	C (mm)
9071214	FSCO025+SS033	CF25	SS033	1.5" / 50mm	705	580	507
9071215	FSCO050+SS050	CF50	SS050	1.5" / 50mm	705	760	552
9071216	FSCO075+SS075	CF75	SS075	1.5" / 50mm	705	940	552
9071217	FSCO100+SS100	CF100	SS100	1.5" / 50mm	705	1120	552
9071218	FSCO150+SS120	CF150	SS120	1.5" / 50mm	705	1300	552

# EMD Series In-Ground Filter System

Easy installation with pre-installed plumbing and durable, weatherproof enclosure

Max Working Pressure

36psi/2.5bar

Max Water Temperature

43°C (109°F)

Suggested Size Of Media

0.5-0.8mm



## SIMPLIFY THE INSTALLATION AND OPERATION

Emaux EMD Series In-Ground Filter System is made from fiberglass-reinforced plastic, water-tight, and equipped with a submersible pump to drain water automatically. The filter systems are suitable for all kinds of pool shapes and sizes and can be customized to your specific requirements.





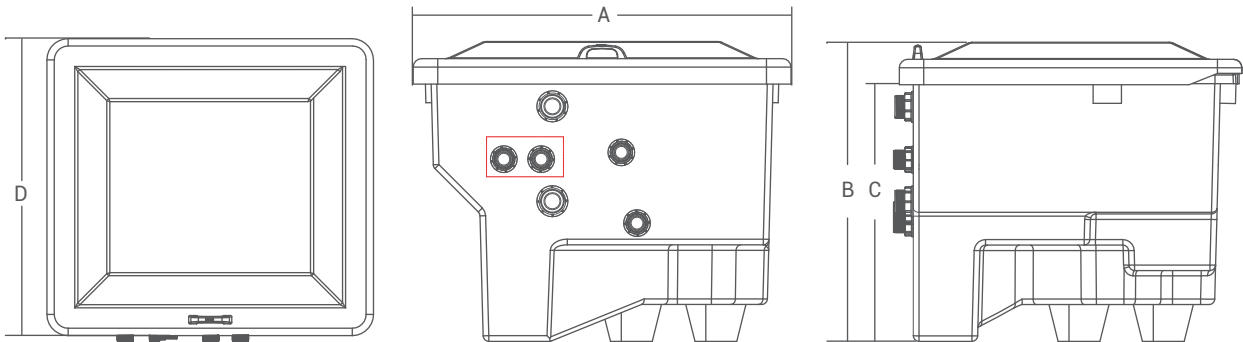
## The Content

1. The system consists of a subsystem for filtration, hydraulic massage, sanitizing and lighting
2. Service Lights installed on the corner will turn on automatically when the cover is open
3. It can be equipped with salt water chlorinator which is the most effective and widely used means for sanitization

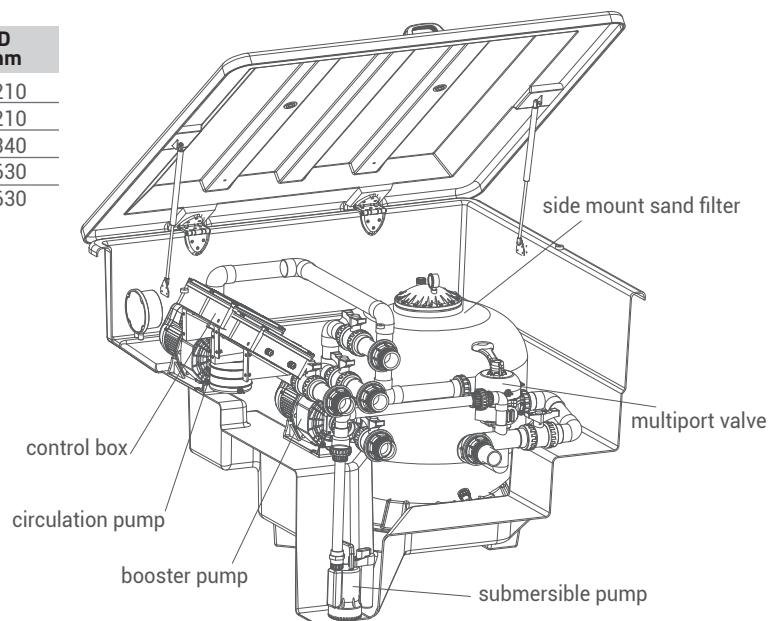
## Timer-controlled Automation

1. Eliminates the needs for manual power on/off and professional staff for maintenance
2. Convenient and user-friendly

## Product Dimensions



Model	A mm	B mm	C mm	D mm
EMD-11	1330	1055	905	1210
EMD-14	1330	1055	905	1210
EMD-18	1400	1220	1080	1340
EMD-25	1730	1315	1170	1630
EMD-32	1730	1315	1170	1630



## EMD Series Filter System Product Information

Serial No.	Model	Description	Pool Volume	Flowrate
88390201	EMD-11C	S500 Sand Filter, SS050 Pump, CL-01A, Chlorine Feeder and PSB016 Submersible Pump	66m <sup>3</sup>	11m <sup>3</sup> /h
88390202	EMD-11CP	S500 Sand Filter, SS050 Pump, CL-01A, Chlorine Feeder, SR30 Booster Pump and PSB016 Submersible Pump	66m <sup>3</sup>	11m <sup>3</sup> /h
88390301	EMD-14C	S650 Sand Filter, SS100 Pump, CL-01A Chlorine Feeder and PSB016 Submersible Pump	84m <sup>3</sup>	14m <sup>3</sup> /h
88390302	EMD-14CP	S650 Sand Filter, SS100 Pump, CL-01A Chlorine Feeder, SR30 Booster Pump and PSB016 Submersible Pump	84m <sup>3</sup>	14m <sup>3</sup> /h
88390401	EMD-18C	S700 Sand Filter, SC150 Pump, CL-01A, Chlorine Feeder and PSB016 Submersible Pump	108m <sup>3</sup>	18m <sup>3</sup> /h
88390402	EMD-18CP	S700 Sand Filter, SC150 Pump, CL-01A, Chlorine Feeder, SR30 Booster Pump and PSB016 Submersible Pump	108m <sup>3</sup>	18m <sup>3</sup> /h
88390601	EMD-25C	S800 Sand Filter, SB20 Pump, CL-01A, Chlorine Feeder and PSB016 Submersible Pump	150m <sup>3</sup>	25m <sup>3</sup> /h
88390602	EMD-25CP	S800 Sand Filter, SB20 Pump, CL-01A, Chlorine Feeder, SR30 Booster Pump and PSB016 Submersible Pump	150m <sup>3</sup>	25m <sup>3</sup> /h
88390701	EMD-32C	S900 Sand Filter, SB30 Pump, CL-01A, Chlorine Feeder and PSB016 Submersible Pump	192m <sup>3</sup>	32m <sup>3</sup> /h
88390702	EMD-32CP	S900 Sand Filter, SB30 Pump, CL-01A, Chlorine Feeder, SR30 Booster Pump and PSB016 Submersible Pump	192m <sup>3</sup>	32m <sup>3</sup> /h





# FILTRATION MEDIA

## ENHANCED FILTRATION PERFORMANCE

---

Due to its higher filtration qualities, Glass Filtration Media has largely replaced traditional silica sand. It improves the clarity of the water by removing finer impurities and saves water, power, and chemicals by requiring fewer backwashes.

# Glass Filtration Media

For all types of swimming pool, water park and water features

## Ordering Details

Code	Model	Size and Weight
87013029	FMG15A	0.5-0.8mm, 15kg/bag
87013030	FMG15B	1.0-2.0mm, 15kg/bag
87013032	FMG25A	0.5-0.8mm, 25kg/bag
87013033	FMG25B	1.0-2.0mm, 25kg/bag
87013034	FMG25C	3.0-5.0mm, 25kg/bag

## Available Sizes



0.5-0.8mm



1-2mm



3-5mm



## CREATE CRYSTAL CLEAR WATER

### Advantages

1. Lighter than silica sand
2. Save water and power from backwashing
3. Longer operation life than silica sand due to higher attrition strength
4. Significantly improves water clarity compared to the performance of silica sand
5. Removes finer impurities than equivalent grade of silica sand
6. Cost-effective, a direct replacement for silica sand
7. Suitable for commercial potable water treatment, commercial rapid-rate re-use water filters, waste water treatment and sewage treatment (lattice structure ideal for biological control).





# SELECTOR VALVES AND ACCESSORIES

HIGH QUALITY AND EASY INSTALLATION

---

In this section we present our large range of multiport valves and manifolds for sand filters, gate valves, butterfly valves, and accessories such as pressure gauges, flange connections, unions, and hose connectors. Ensuring quality and durability, they are all manufactured with special anti-corrosion materials.

# Multiport Valve

## EASY-TO-OPERATE LEVER HANDLE

Emaux Valves are produced in versions for Top Mount and Side Mount filter designs, and are made of ABS material with heavy duty plastic handle. Depending on filter type, 4-way and 6-way models are available for operating functions to cover all the necessary operations needed in any swimming pools filtration.

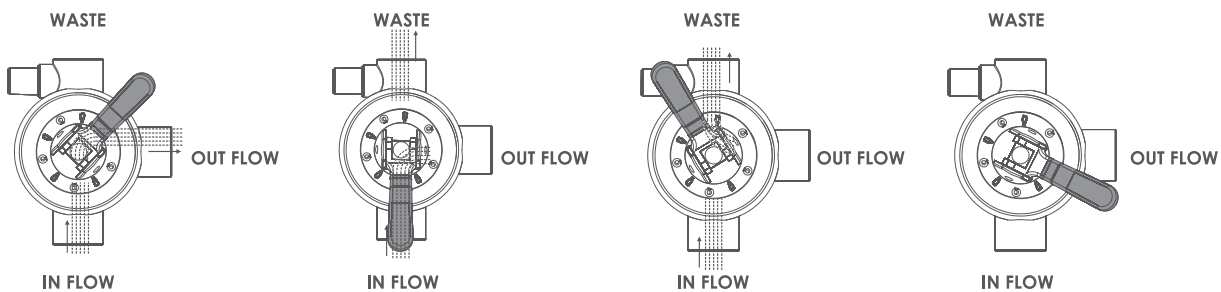


6-Way Multiport Valve

### Product Features

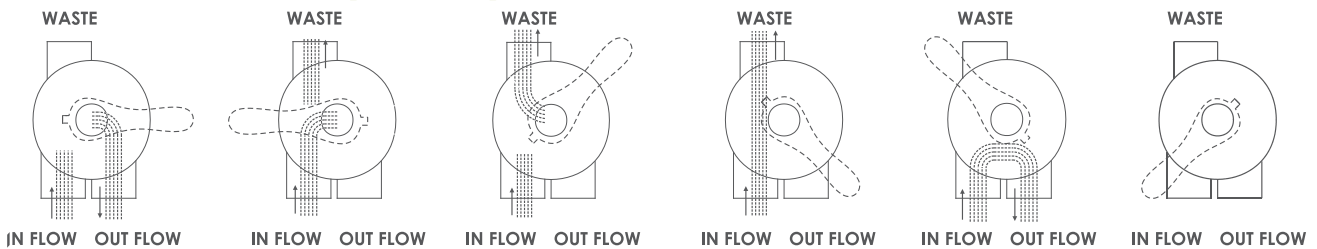
1. 100% tested for pressure and watertightness
2. Easy installation, maintenance, and servicing
3. Made of sturdy ABS and marine-grade stainless steel
4. Designed for superior durability
5. Commercial multiport valves are cost efficient and space-saving compared to the butterfly valve manifolds

### Functions : 4-Way Multiport Valve



Filter	Backwash	Rinse	Closed
Normal Filtration	Cleaning Filter by reversing the flow	Used after backwash to flush dirt from valve	Shuts off all flow to filter or pool

### Functions : 6-Way Multiport Valve



Filter	Backwash	Rinse	Waste	Recirculate	Closed
Normal Filtration	Cleaning Filter by reversing the flow	Used after backwash to flush dirt from valve	By-passes filter, used for vacuuming to waste outlet or lowering water level	By-passes filter for circulating water to pool	Shuts off all flow to filter or pool

# Top Mount Multiport Valve

## 1 inch 6-Way Top Mount Valve (MPV06)

For Top Mount Deep Bed Filters / Emaux HD Series Deep Bed Filters

Connection

Thread Type

Max Working Pressure

700kPa/101psi/7bar

Factory Testing Pressure

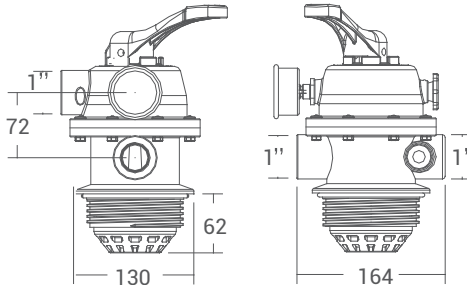
1500kPa/217psi/15bar

Max Water Temperature

50°C (122°F)

Flow Rate

5m<sup>3</sup>/h at 400kPa/58psi/4bar



Code	Model	Description
88281403	MPV06	Valve only

## 1.5 inch 4-Way Top Mount Valve (MPV05)

For Top Mount Fiberglass and Plastic Filters / Emaux FSP Series Filter Systems

Connection

Clamp Type

Max Working Pressure

400kPa/58psi/4bar

Factory Testing Pressure

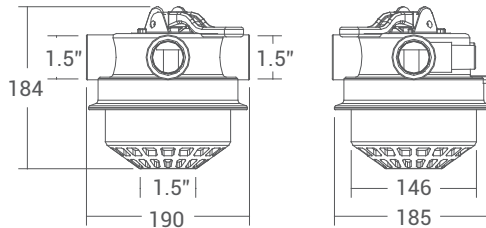
700kPa/101psi/7bar

Max Water Temperature

50°C (122°F)

Flow Rate

17m<sup>3</sup>/h at 400kPa/58psi/4bar



Code	Model	Description
88281205	MPV05	Valve only

## 1.5 inch 4-Way Top Mount Valve (MPV16)

For Top Mount Plastic Filters / Emaux Ultra (FSU Series) Filter Systems

Connection

Clamp Type

Max Working Pressure

200kPa/28psi/2bar

Factory Testing Pressure

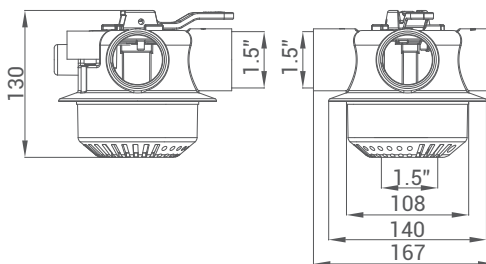
350kPa/50psi/3.5bar

Max Water Temperature

50°C (122°F)

Flow Rate

17m<sup>3</sup>/h at 200kPa/28psi/2bar



Code	Model	Description
88281105	MPV16	Valve only

## 1.5 inch 6-Way Top Mount Valve (MPV01)

For Top Mount Fiberglass and Plastic Filters / Emaux V, P Series Filters

Connection

Clamp Type

Max Working Pressure

400kPa/58psi/4bar

Factory Testing Pressure

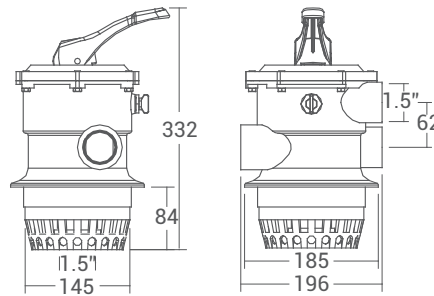
700kPa/101psi/7bar

Max Water Temperature

50°C (122°F)

Flow Rate

17m<sup>3</sup>/h at 400kPa/58psi/4bar



Code	Model	Description
88280105	MPV01	Valve only
88280150	MPV01	Valve with 1.5" union set x 3 and pressure gauge

## 1.5 inch 6-Way Top Mount Valve (with Turn-Lock Lid) (MPV07)

For Top Mount Fiberglass and Plastic Filters / Emaux MFV Series, T series, TMG series 500/650 Filters. Turn-Lock Lid allow Tool-Free Servicing

Connection

Clamp Type

Max Working Pressure

400kPa/58psi/4bar

Factory Testing Pressure

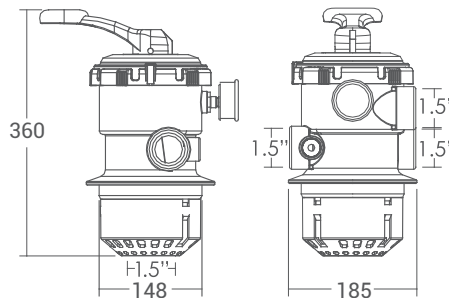
700kPa/101psi/7bar

Max Water Temperature

50°C (122°F)

Flow Rate

17m<sup>3</sup>/h at 400kPa/58psi/4bar



Code	Model	Description
88281505	MPV07	Valve only
88281550	MPV07	Valve with 1.5" union set x 3 and pressure gauge

## 2 inch 6-Way Top Mount Valve (MPV02)

For Top Mount Fiberglass Filters / Emaux V, TMG Series Filters

Connection

Bolt Type

Max Working Pressure

400kPa/58psi/4bar

Factory Testing Pressure

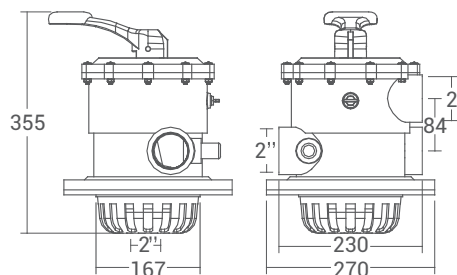
500kPa/72psi/5bar

Max Water Temperature

50°C (122°F)

Flow Rate

27m<sup>3</sup>/h at 400kPa/58psi/4bar



Code	Model	Description
88280306	MPV02	Valve only
88280351	MPV02	Valve with 2" union set x 3 and pressure gauge
91902322	MPV02	Valve for TMG750/TMG900 (Valve only)
91902522	MPV02	Valve for TMG750/TMG900 (with 3 sets union and pressure gauge)



## 2 inch 6-Way Top Mount Valve (with Turn-Lock Lid) (MPV08)

For Top Mount Fiberglass and Plastic Filters / Emaux V650(PB), MFV Series Filters  
Turn-Lock Lid allow Tool-Free Servicing

Connection

Clamp Type

Max Working Pressure

400kPa/58psi/4bar

Factory Testing Pressure

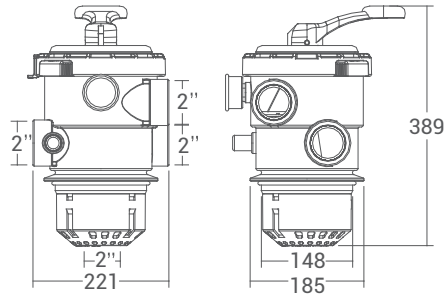
500kPa/72psi/5bar

Max Water Temperature

50°C (122°F)

Flow Rate

27m<sup>3</sup>/h at 400kPa/58psi/4bar



Code	Model	Description
88281506	MPV08	Valve only
88281551	MPV08	Valve with 2" union set x 3 and pressure gauge

## 2 inch 6-Way Top Mount Valve (MPV11)

For Top Mount Fiberglass Filters / Emaux V Series Filters

Connection

Clamp Type

Max Working Pressure

400kPa/58psi/4bar

Factory Testing Pressure

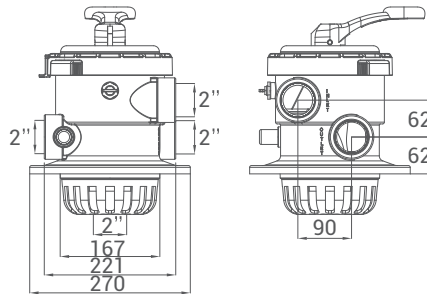
500kPa/72psi/5bar

Max Water Temperature

50°C (122°F)

Flow Rate

27m<sup>3</sup>/h at 400kPa/58psi/4bar



Code	Model	Description
88281606	MPV11	Valve only
88281651	MPV11	Valve with 2" union set x 3 and pressure gauge

## 2.5 inch 6-Way Top Mount Valve (MPV12)

For Top Mount Fiberglass and Plastic Filters / Emaux V Series Filters

Connection

Bolt Type

Max Working Pressure

400kPa/58psi/4bar

Factory Testing Pressure

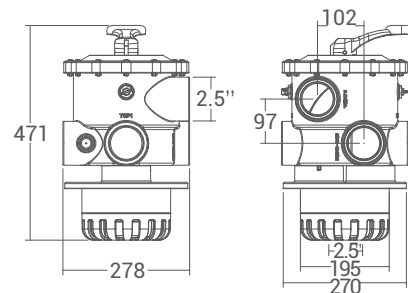
500kPa/72psi/5bar

Max Water Temperature

50°C (122°F)

Flow Rate

36m<sup>3</sup>/h at 400kPa/58psi/4bar



Code	Model	Description
88280307	MPV12	Valve only
88280352	MPV12	Valve with 2.5" union set x 3 and pressure gauge

# Side Mount Multiport Valve

## 1.5 inch 6-Way Side Mount Valve (MPV03)

For Side Mount Filters / Emaux MAX, SP, S, SMG, SR Series Filters

Connection

Union Connection

Max Working Pressure

400kPa/58psi/4bar

Factory Testing Pressure

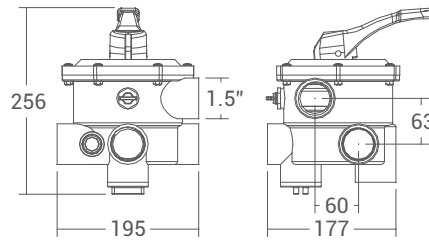
700kPa/101psi/7bar

Max Water Temperature

50°C (122°F)

Flow Rate

17m<sup>3</sup>/h at 400kPa/58psi/4bar



Code	Model	Description
88280805	MPV03	Valve only
88280830	MPV03	Valve with Piping Kit for SP, S & MFS series (without union set)
88280831	MPV03	Valve with Piping Kit for SR & SMG series (without union set)
88280811	MPV03	Valve with Piping Kit (short 90° elbow), 1.5" union set x 3 and pressure gauge for SP, S & MFS series
88280810	MPV03	Valve with Piping Kit (long 90° elbow), 1.5" union set x 3 and pressure gauge for SR & SMG series

## 2 inch 6-Way Side Mount Valve (MPV04)

For Side Mount Fiberglass and Plastic Filters / Emaux MAX, S, SMG Series Filters

Connection

Union Connection

Max Working Pressure

400kPa/58psi/4bar

Factory Testing Pressure

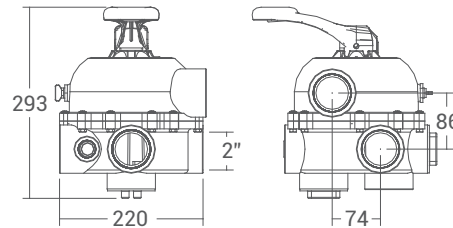
500kPa/72psi/5bar

Max Water Temperature

50°C (122°F)

Flow Rate

27m<sup>3</sup>/h at 400kPa/58psi/4bar



Code	Model	Description
88280806	MPV04	Valve only
88280833	MPV04	Valve with Piping Kit for S, SR, SMG, SDB series filter (without union set)
88280832	MPV04	Valve with Piping Kit for MFS series filter (without union set)
88280813	MPV04	Valve with Piping Kit (long 90° elbow), 2" union set x 3 and pressure gauge for S, SR, SMG, SDB series filter
88280812	MPV04	Valve with Piping Kit (short 90° elbow), 2" union set x 3 and pressure gauge for MFS series filter

## 2.5 inch 6-Way Side Mount Valve (MPV13)

For Side Mount Fiberglass & Deep Bed Filters / Emaux S & SDB Series Filters

Connection

Union Connection

Max Working Pressure

400kPa/58psi/4bar

Factory Testing Pressure

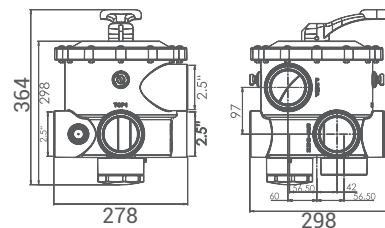
500kPa/72psi/5bar

Max Water Temperature

50°C (122°F)

Flow Rate

36m<sup>3</sup>/h at 400kPa/58psi/4bar



Code	Model	Description
88280807	MPV13	Valve only
88280815	MPV13	Valve with Piping Kit, 2.5" union set x 3 and pressure gauge for S, SDB series filter
88280834	MPV13	Valve with Piping Kit for S & SDB series filter
91903529	MPV13	Valve with Piping Kit, 74 2.5" union set x 3 and pressure gauge for SMG1050C series filter

# Commercial Multiport Valve

## Commercial 3 inch 6-Way Side Mount Valve (MPV14)

For Side Mount Commercial Filters / Emaux S, NL, K Series Filters

Connection

Flange Type

Max Working Pressure

400kPa/58psi/4bar

Factory Testing Pressure

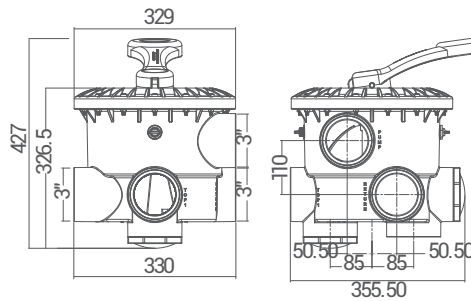
500kPa/72psi/5bar

Max Water Temperature

50°C (122°F)

Flow Rate

52m<sup>3</sup>/h at 400kPa/58psi/4bar



Code	Model	Description
88280808	MPV14	Valve only
88280816	MPV14	Valve with Piping Kit Male Adaptor for S1000(D) series filter
88280817	MPV14	Valve with Piping Kit Male Adaptor for S1200(D), NL, K series filter (Piping kit flange: DIN standard)
91907529	MPV14	Valve for SMG1050, SMG1200 (with 3 sets union and pressure gauge)

## Commercial 4 inch 6-Way Side Mount Valve (MPV15)

For Side Mount Commercial Filters / Emaux NL, K Series Filters

Connection

Flange Type

Max Working Pressure

400kPa/58psi/4bar

Factory Testing Pressure

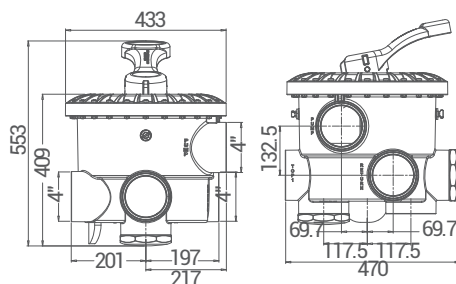
500kPa/72psi/5bar

Max Water Temperature

50°C (122°F)

Flow Rate

108m<sup>3</sup>/h at 400kPa/58psi/4bar



Code	Model	Description
88280809	MPV15	Valve only
88280818	MPV15	Valve with Piping Kit Male Adaptor for NL, K series filter (Piping kit flange: DIN standard)

# Valve Manifold

For commercial heavy-duty usage

Material

Anti-Corrosive

Max Working Pressure

250kPa/36psi/2.5bar

Factory Testing Pressure

400kPa/58psi/4.0bar

Max Water Temperature

43°C (109°F)



## Butterfly Valve

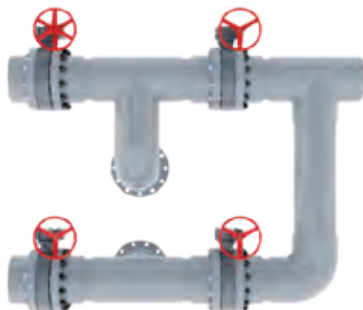
Easy installation and disassembly

Code	Model	Size
01151021	BV30	3" (90mm)
01151022	BV40	4" (110mm)
01151023	BV60	6" (160mm)
01151359	BV80	8" (200mm)
108091852	BV100	10" (250mm)
108091889	BV120	12" (315mm)

## 4-Way Butterfly Valve

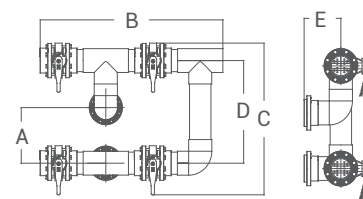


4 Way Butterfly Valve NBV30-NBV80

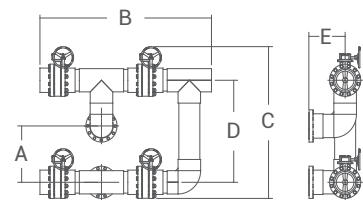


4 Way Butterfly Valve BVGT100- BVGT120

Code	Model	Valve Connection		A (mm)	B (mm)	C (mm)	D (mm)	E (mm)
		GB(mm)	ANSI					
88290401	NBV30-4	90	3"	350	884	889	552	172
88290402	NBV40-4	110	4"	350	1101	963	614	210
88290403	NBV60-4	160	6"	415	1351	1228	775	287
88290404	NBV80-4	200	8"	550	1867	1500	1015	376
88290605	BVGT100-4	250	10"	710	2231	1913	1286	472
88290606	BVGT120-4	315	12"	710	2437	2106	1423	552



4 Way Butterfly Valve NBV30-NBV80

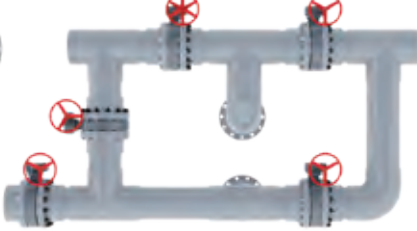


4 Way Butterfly Valve BVGT100- BVGT120

## 5-Way Butterfly Valve

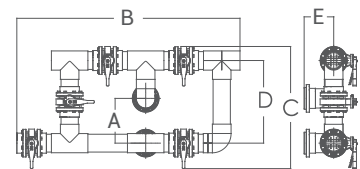


5 Way Butterfly Valve NBV30-NBV80

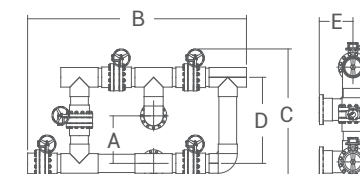


5 Way Butterfly Valve BVGT100- BVGT120

Code	Model	Valve Connection		A (mm)	B (mm)	C (mm)	D (mm)	E (mm)
		GB(mm)	ANSI					
88290301	NBV30-5	90	3"	350	1395	889	552	172
88290302	NBV40-5	110	4"	350	1521	963	614	210
88290303	NBV60-5	160	6"	415	2039	1228	775	287
88290304	NBV80-5	200	8"	550	2832	1500	1015	376
88290505	BVGT100-5	250	10"	710	3374	1913	1286	472
88290506	BVGT120-5	315	12"	710	3692	2106	1423	552



5 Way Butterfly Valve NBV30-NBV80



4 Way Butterfly Valve BVGT100- BVGT120

# Flange Connection



## Flange Connection Set

Code	Model	Size
89011336	FS-3	3"
89011337	FS-4	4"
89011338	FS-6	6"
89011339	FS-8	8"

## BOTH FLANGE SET AND ACCESSORIES ARE AVAILABLE

The flange set consists of a flange plate, gasket, and connector only. It does not include any bolts, nuts, or washers. Since installations always vary, it is more applicable to use different bolts depending on the actual applications.

## Accessories of Flange

**Flange Plate**



Code	Size
01271039	3"
01271037	4"
01271035	6"
01271033	8"

**Flange Gasket**



Code	Size
02041005	3"
02041006	4"
02041007	6"
02041008	8"

**Connector**



Code	Size
01170025	3"
01170027	4"
01170029	6"
01170031	8"

# FLEX Valve Actuator **NEW**

## AUTOMATION WITH HIGH FLEXIBILITY

Emaux FLEX Valve Actuator is a universal 24-Volt actuator that can work with other manufacturers' automatic controls on 2-way and 3-way valves. Adjustable cam gives high flexibility for accurate positioning. Slim design with corrosion-proof casing. When paired with Emaux FLEX 2-way and 3-way valves, it provides the user with reliable automation over valve control.



FLEX Valve Actuator



### Product Features

1. Designed for reliable control of 2-way and 3-way diverter valves for pool, spa, and water features.
2. Automatic adjustment of water flow.
3. Compatible with most of the pool automatic control systems.

Valve Actuator Material  
PC

Voltage  
24V AC

Cable Length  
6m (18ft)

### Advantages:



### Compatibility

Universal design is compatible with other manufacturers' automatic controls and valves.

### Friendly & Modern design

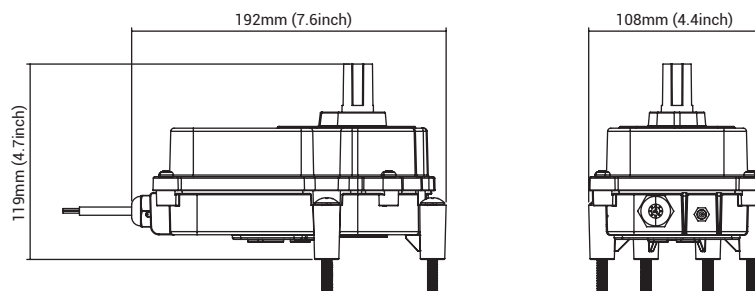
1. Easy to assemble and set up.
2. IPX4 corrosion-proof casing

### Flexibility

1. The cam is adjustable at every 12.8 degrees.
2. Customized water flow control.



### Product Dimensions:



### Product Information:

Code	Model	Voltage	Cycles	Wire	Cable Length
91609013	FLEX -ACT	24V AC	50/60Hz	3-conductor Black (Common) Red (Switch Leg) White (Switch Leg)	6m (18ft)

# FLEX Valve Actuator **NEW**

## REVOLUTIONARY DESIGN FOR PROFESSIONAL USE

Emaux FLEX diverter valve is a maintenance-free valve with an ergonomic design handle. The PTFE coating gasket gives high reliability and smoothes the turning torque for the valve. A new adjustable dial design offers a simple and flexible inlet selection. The shaft is compatible with actuators made by other manufacturers. When paired with the Emaux FLEX Actuator, it gives the user a reliable automated experience with the valve control.



FLEX Two-Way Valve

FLEX Three-Way Valve

### Advantages:

#### Flexibility and user-friendly

Adjustable dial for instant inlet switching.

#### Compatibility

Shaft is compatible with other manufacturers' actuators.

#### Maintenance-free

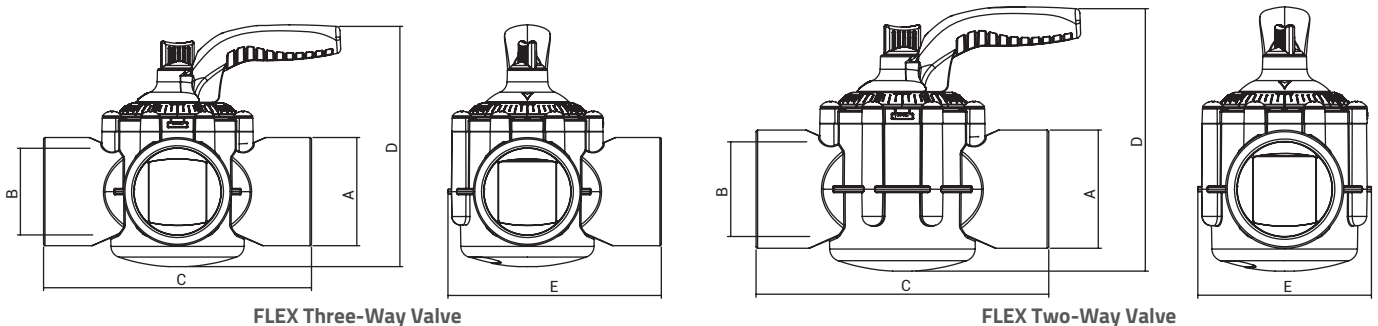
PTFE coating gasket:

- Lubricant-free
- Maintenance-free
- Jam-free

#### User experience

Ergonomic design handle promotes comfortable control.

### Product Dimensions:



FLEX Three-Way Valve

FLEX Two-Way Valve

### Three-Way Valve

Code	Model	Material	Connection	A (mm)	B (mm)	C (mm)	D (mm)	E (mm)	Description
91600106	FLEX40-3(A)	PVC/CPVC	1½" / 2"	Ø60	Ø48	186	168	149	ID 1½" pipe slip in OD 2" coupler
91600108	FLEX50-3(A)	PVC/CPVC	2" / 2½"	Ø75	Ø60	186	168	149	ID 2" pipe slip in OD 2½" coupler
91600105	FLEX40-3(E)	PVC/CPVC	GB50 / GB63	Ø63	Ø50	186	168	149	ID GB50 pipe slip in OD GB63 coupler
91600107	FLEX50-3(E)	PVC/CPVC	GB63 / GB75	Ø75	Ø63	186	168	149	ID GB63 pipe slip in OD GB75 coupler

### Two-Way Valve

Code	Model	Material	Connection	A (mm)	B (mm)	C (mm)	D (mm)	E (mm)	Description
91600006	FLEX40-2(A)	PVC/CPVC	1½" / 2"	Ø60	Ø48	186	168	110	ID 1½" pipe slip in OD 2" coupler
91600008	FLEX50-2(A)	PVC/CPVC	2" / 2½"	Ø75	Ø60	186	168	110	ID 2" pipe slip in OD 2½" coupler
91600005	FLEX40-2(E)	PVC/CPVC	GB50 / GB63	Ø63	Ø50	186	168	110	ID GB50 pipe slip in OD GB63 coupler
91600007	FLEX50-2(E)	PVC/CPVC	GB63 / GB75	Ø75	Ø63	186	168	110	ID GB63 pipe slip in OD GB75 coupler

# Valve

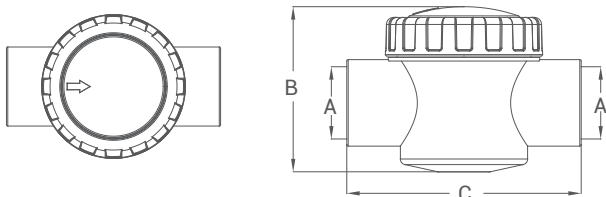
For easier and trouble-free installation

## SUPERIOR QUALITY AND PLUMBING VERSATILITY

By using the best imported materials available and rigorous quality control standard. Emaux valves are made for easier and trouble-free installations. Superior quality and plumbing versatility make Emaux valves the best choice for pool and spa professionals.



### Check Valve

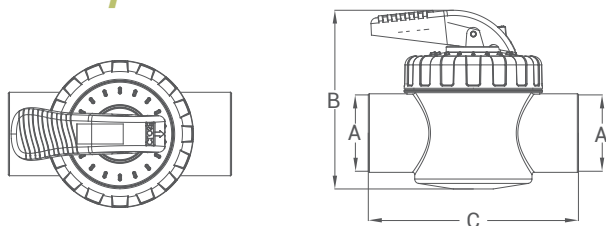


Code	Model	Material	Connection	A (mm)	B (mm)	C (mm)
88460301	V40-1(E)	ABS & PVC	50mm	Ø50	115	164
88460302	V50-1(E)	ABS & PVC	63mm	Ø63	129	190
88460311	V40-1(A)	ABS & PVC	1.5"	Ø48	115	164
88460312	V50-1(A)	ABS & PVC	2"	Ø60	129	190

### Product Features

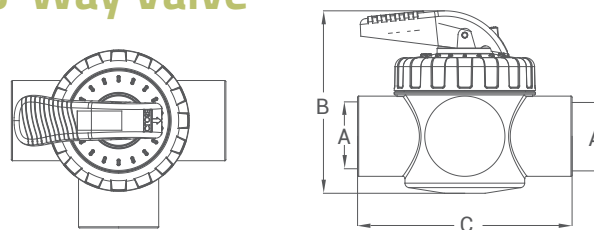
1. Made of durable ABS and PVC
2. Large handle for easy adjustment
3. Extremely reliable and maintenance free
4. Max. 4 bar working pressure
5. Able to withstand extreme chemical and temperature fluctuations
6. For 1.5"/50mm or 2"/63mm PVC pipe

### 2-Way Valve



Code	Model	Material	Connection	A (mm)	B (mm)	C (mm)
88460101	V40-2(E)	ABS & PVC	50mm	Ø50	149	164
88460102	V50-2(E)	ABS & PVC	63mm	Ø63	161	190
88460111	V40-2(A)	ABS & PVC	1.5"	Ø48	149	164
88460112	V50-2(A)	ABS & PVC	2"	Ø60	161	190

### 3-Way Valve



Code	Model	Material	Connection	A (mm)	B (mm)	C (mm)
88460201	V40-3(E)	ABS & PVC	50mm	Ø50	149	164
88460202	V50-3(E)	ABS & PVC	63mm	Ø63	161	190
88460211	V40-3(A)	ABS & PVC	1.5"	Ø48	149	164
88460212	V50-3(A)	ABS & PVC	2"	Ø60	161	190



# Above-Ground Pool Gate Valve

For low pressure pool filtration or aquaculture systems

## EASY TO INSTALL AND OPERATE

This push-pull knife gate valve is designed for low-pressure filtration or aquaculture systems. The compact size permits easy installation and removal making it perfect for small or mid size filtration systems. Two types of piping connections are available for adding into the piping without glue.

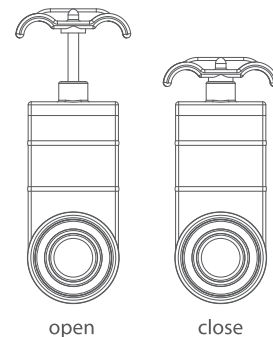
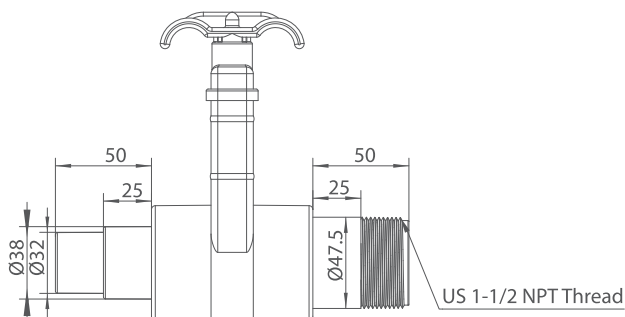


Shown with cartridge filter combo, NanoTech UV disinfection system, and hose connections

### Product Information

1. PVC with stainless steel shaft
2. Size: 1.5 inch
3. Operation pressure: 2 Bar
4. Connection: 32-38mm hose and 1.5" NPT thread

Code	Model
93002601	OM1888



# Union Set

## Sets and parts for replacement

### With O-ring

89280105



1.5" Union with O-ring

89023801



1.5" Union with O-ring for SPH

89280102



1.5" Union with O-ring

89280101



1.5" Union with sight glass and O-ring

89280103



2" Union with O-ring

89030201



32mm & 38mm Union with O-ring

### Parts

01171160



2" Union Adaptor

01013147



2.5" Nut  
for Connector

01171158



2.5" Union Adaptor

01013045



38mm Connector

01013053

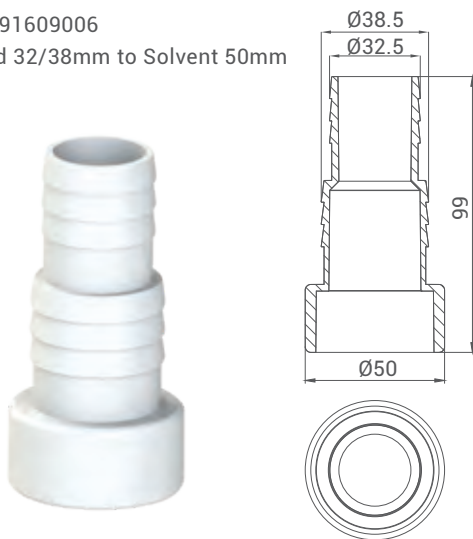


32mm Connector

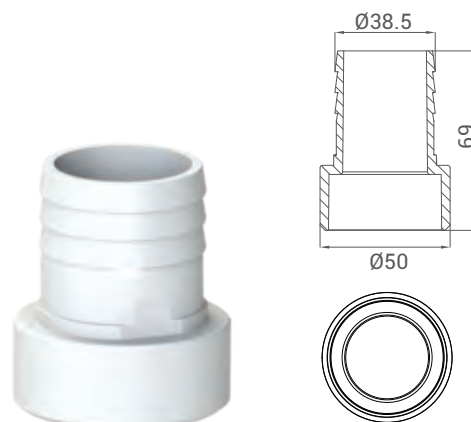
# Hose Tail Connector

Made of ABS with high mechanical resistance

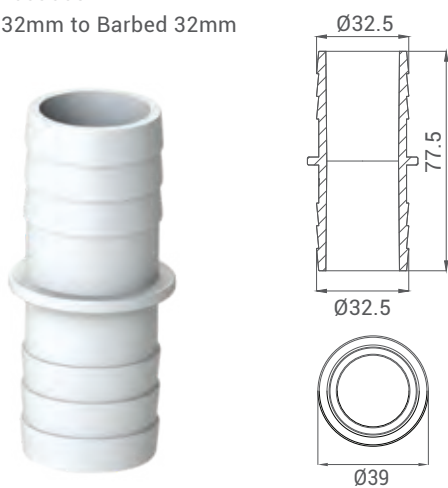
Code: 91609006  
Barbed 32/38mm to Solvent 50mm



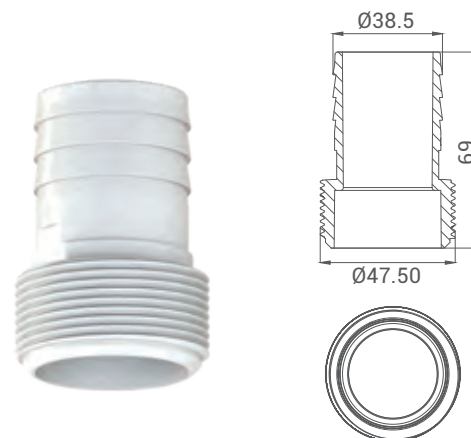
Code: 91609007  
Barbed 38mm to Solvent 50mm



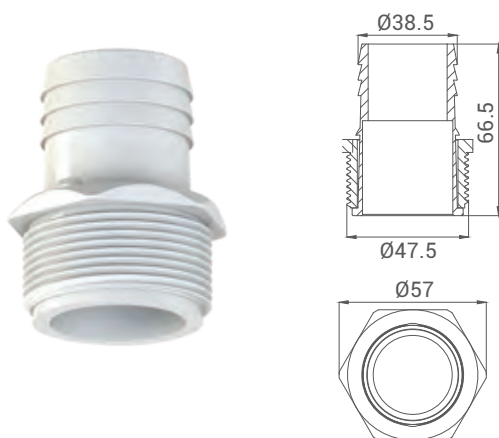
Code: 91609008  
Barbed 32mm to Barbed 32mm



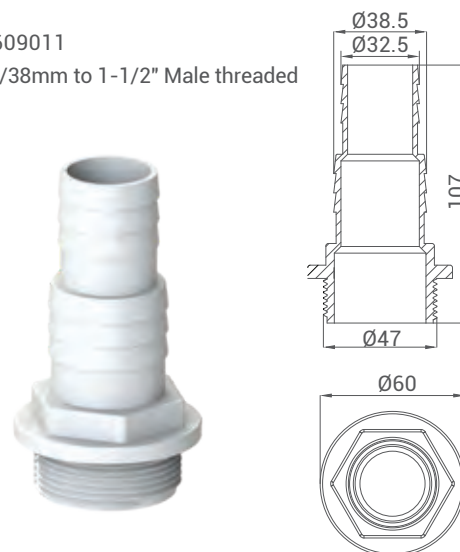
Code: 91609009  
Barbed 38mm to 1-1/2" Male threaded



Code: 91609010  
Barbed 38mm to 1-1/2" Male threaded (with nut)



Code: 91609011  
Barbed 32/38mm to 1-1/2" Male threaded



# Pressure Gauge

## Stainless Steel Oil Pressure Gauge

### Bottom Connection



Code: 06011029 Max: 40psi/275kPa  
 Code: 06011030 Max: 60psi/415kPa  
 Code: 06011031 Max: 100psi/700kPa

### Bottom Connection (Ø3")



Code: 117046794 Max: 40psi/275kPa  
 Code: 117046793 Max: 60psi/415kPa  
 Code: 117046792 Max: 100psi/700kPa  
 Code: 117046493 Max: 150psi/1034kPa

### Bottom Connection (For Manometer)



Code: 117003676 Max: 40psi/275kPa  
 Code: 117003677 Max: 60psi/415kPa  
 Code: 117003678 Max: 75psi/525kPa

### Side Connection



Code: 06011032 Max: 40psi/275kPa  
 Code: 06011033 Max: 60psi/415kPa

## Indicative Pressure Gauge

### Bottom Connection



Code: 117038519 Max: 60psi/415kPa

### Side Connection



Code: 117068519 Max: 60psi/415kPa

## Manometer



E13044-E13047  
 2 inch Pressure Gauges



E13048-E13053  
 3 inch Pressure Gauges

Code	Gauge Dia.	Range	Filter in/outlet
E13044	2 inch	0 - 40psi	3 inch
E13045	2 inch	0 - 60psi	3 inch
E13046	2 inch	0 - 40psi	4 inch
E13047	2 inch	0 - 60psi	4 inch
E13048	3 inch	0 - 40psi	6 inch
E13049	3 inch	0 - 60psi	6 inch
E13050	3 inch	0 - 40psi	8 inch
E13051	3 inch	0 - 60psi	8 inch
E13052	3 inch	0 - 40psi	10 inch
E13053	3 inch	0 - 60psi	10 inch

## Plastic Pressure Gauge

### 1. Bottom Connection



Code: 06021013  
 Max: 40PSI/275kPa

### 2. Side Connection



Code: 06021002  
 Max: 40PSI/275kPa





# PUMPS

## ROBUST AND RELIABLE

---

Emaux is proud of its long tradition of delivering high-quality, robust and reliable pumps for all kinds of pools and spas, water features, water parks, aquariums, aquaculture, and marine applications. Our extensive range of pumps includes single speed, 2-speed, and variable speed energy-saving models which are engineered, manufactured, and tested in our factory to ensure precision products that will operate all year-round.



# E-Power Variable Speed Pump

For large residential pools and water features



Model : EPV150

## Product Features:

1. Permanent Magnet Motor (PMM)
2. Totally Enclosed Fan Cooled (TEFC)
3. 5L Strainer Basket
4. 316 Stainless Steel Shaft
5. 316 Stainless Steel Mechanical Seal
6. 2"/2.5" Union Connection
7. IPX5 Waterproof



## SAVES UP TO 85% ON ENERGY CONSUMPTION

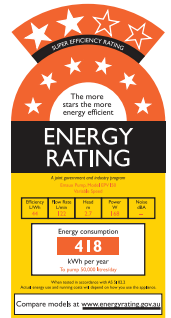
Compared to the Emaux EPV range, traditional single speed pumps run continuously and inefficiently at maximum load incurring high running costs. Reduced speed provides slower water circulation rates and puts less strain on the complete installation such as filter, sanitization and plumbing. It reduces the wear-and-tear factor ending in significant savings for the pool owner.



## Energy Saving

Emaux E-Power Variable Speed Pump reduces the energy use of your pool, spa, and water features. Thanks to its higher efficiency, it eliminates over-usage and reduces equipment maintenance costs.

The energy saving is achieved by programming the pump to reach the ideal flow rate schedule. As the pump speed is reduced, the water flow drops. A 50% reduction in speed cuts the flow rate by half, but at the same time reduces the power consumption by up to 85%.



## User-Friendly Controller

Emaux E-Power Variable Speed Pump maximizes the efficiency of your pool filtration system with the aid of a one-touch controller. The presettable direct speed controller enables pool owners to manage their usage with the press of a single button to schedule their water treatment system with piece of mind.

Speed 1-4  
(900RPM)  
(1500RPM)  
(2500RPM)  
(2900RPM)



## New Connectivity and External Smart Control

1. Wi-Fi AP mode or Home Network STA Mode
2. RS485 communication port



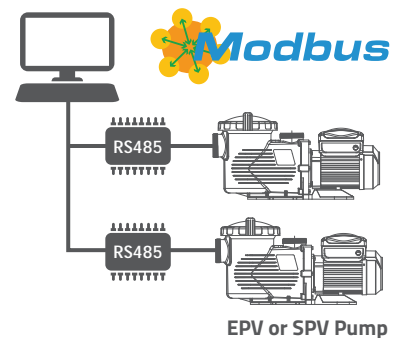
### Wi-Fi connectivity:

1. IEEE802.11, 2.4GHz, b/g/n
2. Internal antenna, open area 25m
3. Data throughput 300Mbits



### Modbus:

1. Enables connecting a master (PC) and several slaves (EPV or SPV Pumps).
2. RTU over RS485 communication port
3. Support all standard Modbus protocol equipment
4. Isolated AB data bus
5. Max Baud Rate 9600bps

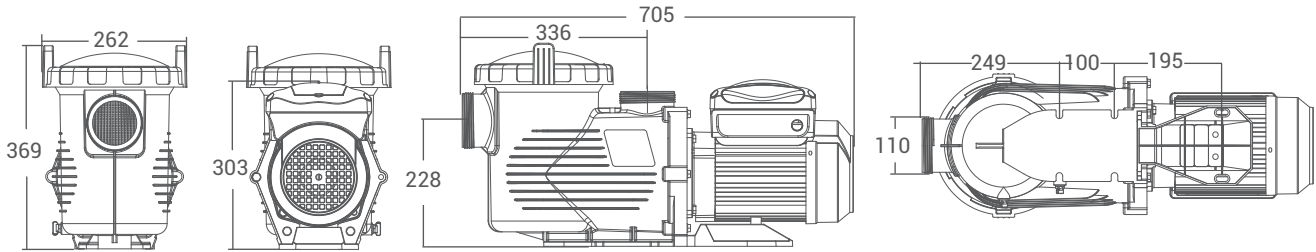


## Super Quiet Operation

With the advanced hydraulic design, water moves much more efficiently, and the operation is whisper quiet with the E-Power Variable Speed Pump operating at lower speeds. Permanent Magnet Motor technology eliminates excessive motor noise. E-Power Variable Speed Pump satisfies the most discerning user.



## Product Dimensions (unit: mm)



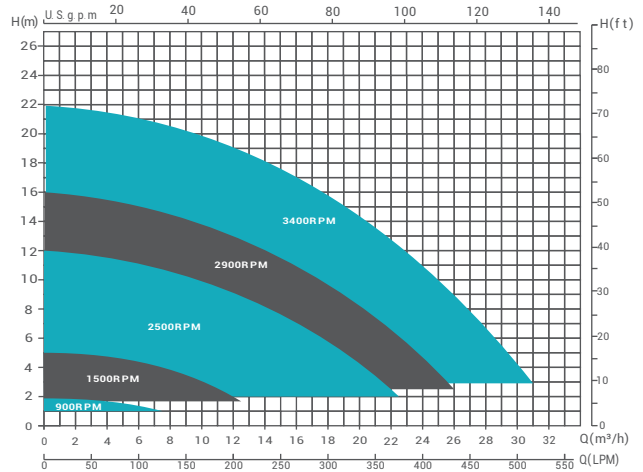
Code (220V-240V 50/60Hz)	Model	Connection Size	Max. Input Power (kW)	HousePower (hp)	Weight (kg)
9021605	EPV150-RS485	2.0" / 63mm, 2.5" / 75mm	1.50	1.50	23
9021606	EPV200-RS485	2.0" / 63mm, 2.5" / 75mm	1.80	2.00	24
9021607	EPV300-RS485	2.0" / 63mm, 2.5" / 75mm	2.20	3.00	25
9021611	EPV150-WIFI+RS485	2.0" / 63mm, 2.5" / 75mm	1.50	1.50	23
9021612	EPV200-WIFI+RS485	2.0" / 63mm, 2.5" / 75mm	1.80	2.00	24
9021613	EPV300-WIFI+RS485	2.0" / 63mm, 2.5" / 75mm	2.20	3.00	25

## Performance data

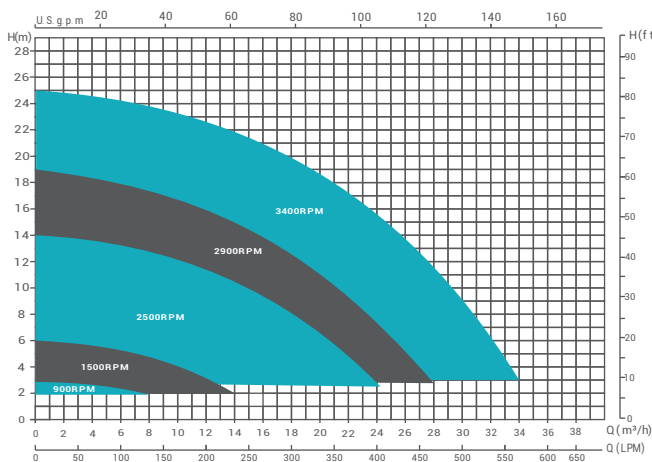
Model: EPV150

Speed (RPM)	Flow (LPM)	Efficiency (Liter/Watt)	Flow (GPM)	Efficiency (Gallon/Watt)	Power (Watt)
900	101	121	27	32	50
1500	207	95	55	25	130
2500	368	44	97	12	505
2900	417	29	110	8	850
3400	509	26	135	7	1190

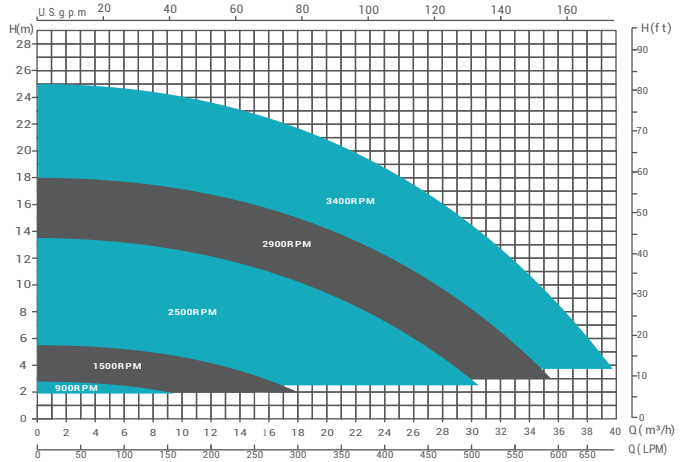
EPV150 230V-50Hz/60Hz



EPV200 230V-50Hz/60Hz



EPV300 230V-50Hz/60Hz



# E-Power Pump

For residential and semi-commercial pools



## Product Features

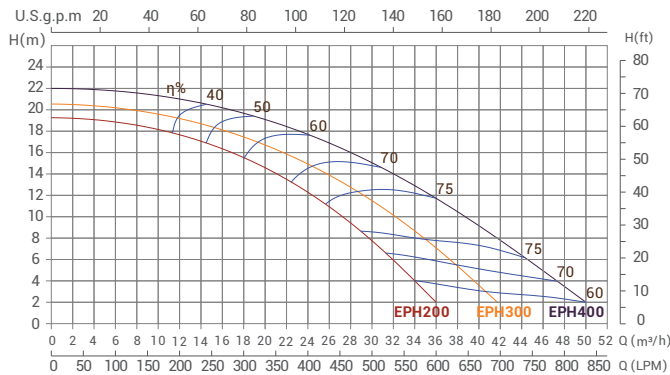
1. Asynchronous, Two poles motor
2. Motor Insulation Class B
3. IPX5 Waterproof
4. Built-in thermal protection
5. Overload protection
6. Available in 50Hz or 60Hz with 230V/400V
7. Special design union compatible for both imperial and metric standard
8. Imperial and Metric measurement standard
9. 316 Stainless steel shaft
10. 316 Stainless steel mechanical seal
11. Self-Priming up to 2.5m above water level
12. Testing pressure 50 psi (3.5 Bar)
13. Basket Volume 5 litres



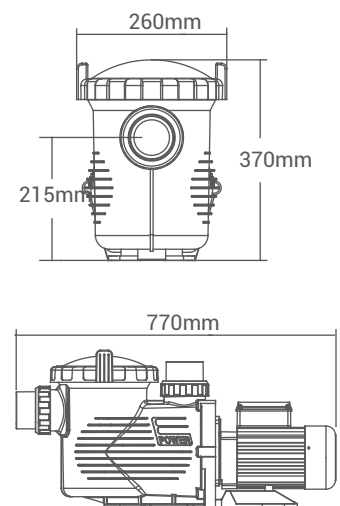
## A HIGH-PERFORMING SELF-PRIMING PUMP

Ring lock seal design eliminates suction leaks and maximize suction efficiency.

## Technical Information



## Product Dimensions



Model	Input (kW)	Current (AMP)	Noise (dB)	Head (m)					
				6	8	10	12	14	16
EPH200	1.8	8.2	68	32	30	27	24	21	17
EPH300	2.2	10.0	69	37	35	32	29	26	22
EPH400	2.8	12.5	71	45	42	39	36	32	28

Code 230V/50Hz	Code 230V/60Hz	Code 400V/50Hz*	Model	Connection Size	Horsepower	Weight (kg)
88020708	88021008	88020808	EPH200	2" / 63mm 2.5" / 75mm	2.0hp	23.0
88020709	88021009	88020809	EPH300	2" / 63mm 2.5" / 75mm	3.0hp	24.0
88020718	88021018	88020818	EPH400	2" / 63mm 2.5" / 75mm	4.0hp	25.0

\*Three phase

# Super-Power Variable Speed Pump

For residential pools and water features



Model: SPV150



## SUPERPOWER

### Product Features:

1. Permanent Magnet Motor (PMM), Totally Enclosed Fan Cooled (TEFC)
2. Pump casing ABS + glass fiber, Impeller PPO, Strainer basket and base in PP + Glass fiber
3. Motor shaft - S.S.316, Seals bellows - EPDM, stationary face - SIC, rotating face - Graphite, Spring - S.S.316
4. Super quiet operation when running at low RPM mode (55dB@1400 RPM)
5. Designed and constructed to maximize the pump's hydraulic performance
6. IPX5 Waterproof

## ULTRA ENERGY EFFICIENCY

Emaux Super-Power Variable Speed Pump reduces the energy use of your pool, spa, and water features. Thanks to its higher efficiency, it eliminates over-usage and reduces equipment maintenance costs.

Compared to the Emaux Super-Power Variable speed pump, traditional single-speed pumps run continuously and inefficiently at maximum load incurring high running costs. Reduced speed provides slower water circulation rates and puts less strain on the complete installation such as filter, sanitization, and plumbing. It reduces the wear-and-tear factor ending in significant savings for the pool owner.



## Motor Advantages

Emaux Super-Power Variable Speed Pump uses the latest Permanent Magnet Motor (PMM) technology, which produces a magnetic field between the rotor and windings. The energy-saving is derived from the ability to reduce the RPM of the motor itself. A standard motor consumes electricity to induce the magnetic field into the rotor. On the other hand, a permanent magnet motor gains efficiency by the magnets working on spinning the rotor, achieving an energy cost saving of up to 80%.

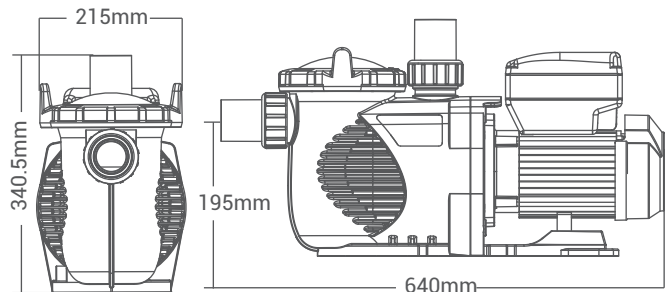
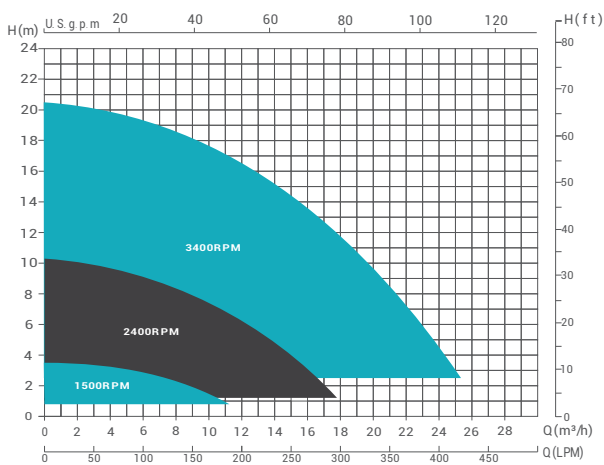
The design of (Totally Enclosed Fan Cooled) TEFC Motor also increases the reliability and durability for use in all weather conditions. The AISI316 stainless steel motor shaft and shaft seal also ensure reliability and compatibility with saltwater pools.



## With Advanced Menu

One touch controller - total control at your finger tips. Pre-set speed programs and schedules, offer the most efficient pool, spa, or any connected water feature.

## Technical Information SPV150 220-240V-50Hz/60Hz



Code	Model	Power	Connection size	Weight	Input Power	Housepower	RPM
9023302	SPV150-RS485	220-240V,50Hz/60Hz	1.5"ID / 50mm ID, 2.0" OD / 63mm OD	18.5Kg	1.3kW	1.5hp	800-3400
9023303	SPV150-WIFI+RS485	220-240V, 50Hz/60Hz	1.5"ID / 50mm ID, 2.0" OD / 63mm OD	18.5Kg	1.3kW	1.5hp	800-3400

## New Connectivity and External Smart Control

1. Wi-Fi AP mode or Home Network STA Mode
2. RS485 communication port



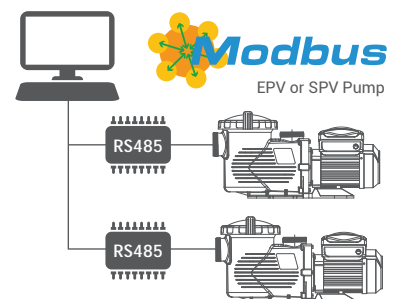
### Wi-Fi connectivity:

1. IEEE802.11, 2.4GHz, b/g/n
2. Internal antenna, open area 25m
3. Data throughput 300Mbps



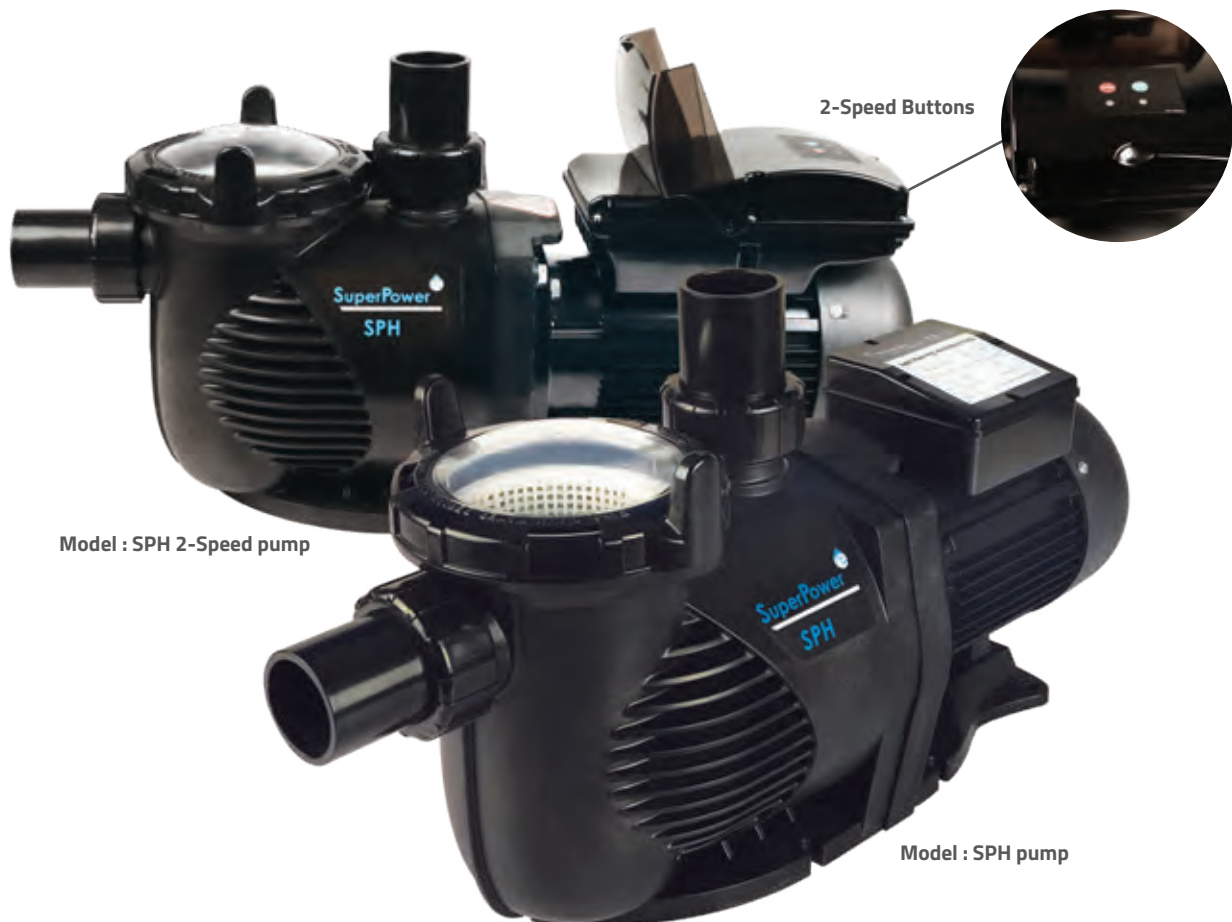
### Modbus:

1. Enables connecting a master (PC) and several slaves (EPV or SPV Pumps).
2. RTU over RS485 communication port
3. Supports all standard Modbus protocol equipment
4. Isolated AB data bus
5. Max Baud Rate 9600bps



# Super-Power Pump

For residential pools and spas



## Product Features

1. Direct replacement for other model pumps
2. Asynchronous, two poles motor
3. Motor Insulation Class F
4. Thermal and over current protection
5. Pump casing ABS + glass fiber, Impeller PPO, Strainer basket and base in PP + glass fiber
6. Motor shaft - S.S.316, Seals bellows - EPDM, stationary face - SIC, rotating face - Graphite, Spring - S.S.316
7. Self-Priming up to 3.3m above water level
8. Testing pressure 50 psi (3.5 Bar)
9. Basket Volume 2 litres
10. IPX5 Waterproof

**SUPERPOWER**

ENGINEERED AND  
BUILT FOR POOL  
PROFESSIONALS

Known for its reputation for innovation and based on market feedback, Emaux has developed the SPH Series by answering a call from pool professionals for a reliable, economical pump for new installations and retrofits.

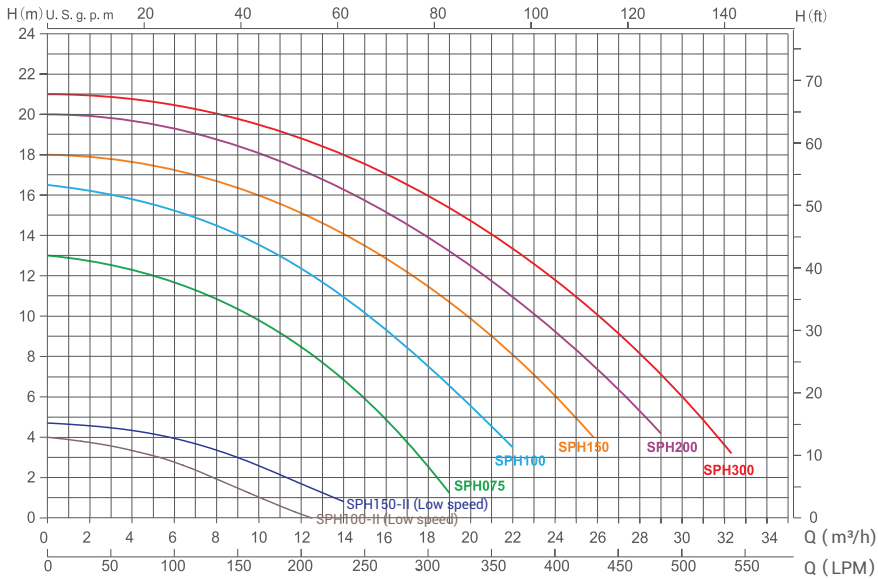


## 2-Speed Pump

Super Power 2-speed pump represents a breakthrough in pool pump technology. The user is able to select either HIGH speed (2850rpm) or LOW speed (1450rpm) on the pump's control pad. The LOW speed feature offers low energy consumption, low noise level, and a longer lifespan of the product.

- 2-speed models: Dual capacitors motor start wiring
- Handy control pad to select High or Low speed.

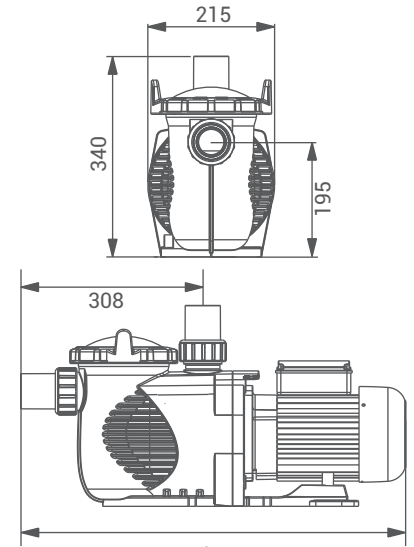
## Technical Information



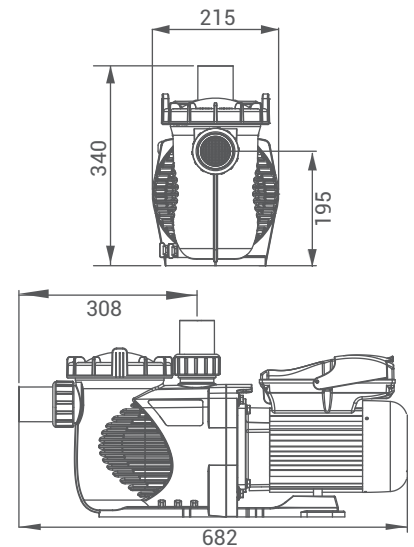
Model	Input (kW)	Current (AMP)	Noise (dB)	Head (m)					
				6	8	10	12	14	16
Flow Rate (m³/h)									
SPH075	0.75	3.5	65	15	12.5	9.5	5	--	--
SPH100	1.10	5	65	19.5	17.5	15.2	12.5	9	3
SPH150	1.50	6.8	67	24	22	19.9	17.5	14	10
SPH200	1.80	8.2	67	27.5	25.5	23	21.7	18	14.5
SPH300	2.20	10	68	30	28.5	26	23.8	21	18
SPH100-II (High Speed)	1.10	5	65	19.5	17.5	15.2	12.5	9	3
SPH100-II (Low Speed)	0.3	1.3	52	--	--	--	--	--	--
SPH150-II (High Speed)	1.50	6.8	65	24	22	19.9	17.5	14	10
SPH150-II (Low Speed)	0.35	1.5	52	--	--	--	--	--	--

Code 230V/50Hz	Code 230V/60Hz	Model	Connection Size	Horsepower	Weight (kg)	Capacitance 230V	A (mm)
88029604	88029704	SPH075	1.5"(50mm)ID / 2"(63mm)OD	0.75hp	13.6	20µF	652
88029605	88029705	SPH100	1.5"(50mm)ID / 2"(63mm)OD	1.0hp	13.8	25µF	652
88029607	88029707	SPH150	1.5"(50mm)ID / 2"(63mm)OD	1.5hp	14.0	25µF	652
88029608	88029708	SPH200	1.5"(50mm)ID / 2"(63mm)OD	2.0hp	14.2	30µF	652
88029609	88029709	SPH300	1.5"(50mm)ID / 2"(63mm)OD	3.0hp	14.5	35µF	682
9023212	9023224	SPH100-II*	1.5"(50mm)ID / 2"(63mm)OD	1.0hp	14.7	30µF/16µF	682
9023213	9023225	SPH150-II*	1.5"(50mm)ID / 2"(63mm)OD	1.5hp	15.0	30µF/16µF	682

## Product Dimensions



Model : SPH Pump



Model : SPH 2-Speed Pump

\*2-speed models

# SB & SR Series Pumps

For residential pools and spas



## PROVEN LONG-TERM DURABILITY

The SB Series pump delivers high flow and energy efficiency ultra performance. 2-inch suction and discharge port with a transparent lid. Ring lock seal design to eliminate suction leaks and to maximize suction efficiency.

The SR Series pump is the right choice for both high and medium head installation in commercial spa pools. The seal and bearing used are imported from trustable suppliers to ensure reliable quality. It delivers high flow and energy efficiency ultra performance.

## Product Features

1. 2 inch suction and discharge ports
2. Ring-lock lid eliminates leaks and maximizes suction efficiency
3. Asynchronous, two-pole motor
4. Motor Insulation Class B
5. IPX5 Waterproof
6. Built-in thermal protection
7. Overload protection
8. Available in 50Hz or 60Hz for 230V/400V
9. Specially designed unions compatible for both Imperial and Metric standards
10. Testing Pressure (50 psi/ 3.5Bar)
11. 316 stainless steel shaft
12. 316 stainless steel mechanical seal



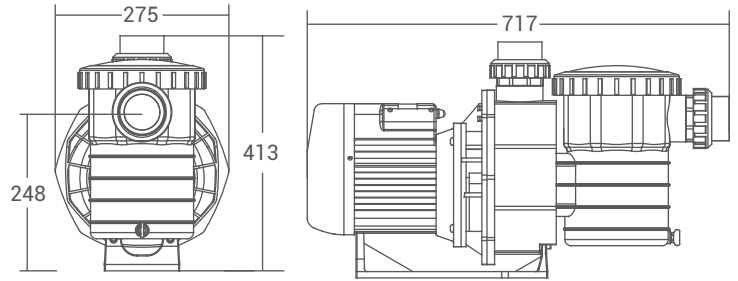
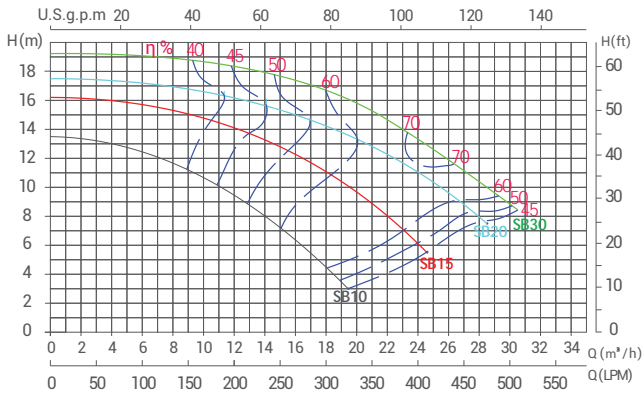
SAA SASO

Only SB Series Pump is C-Tick and SASO certified



# SB Series Pump

## Product Information



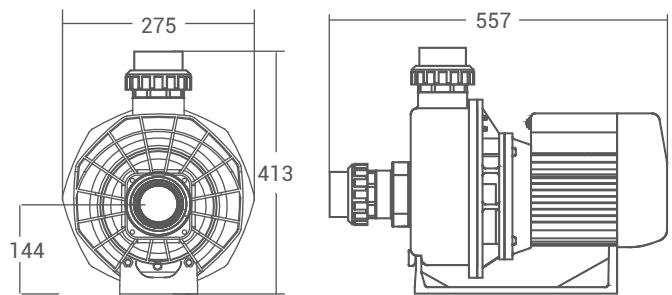
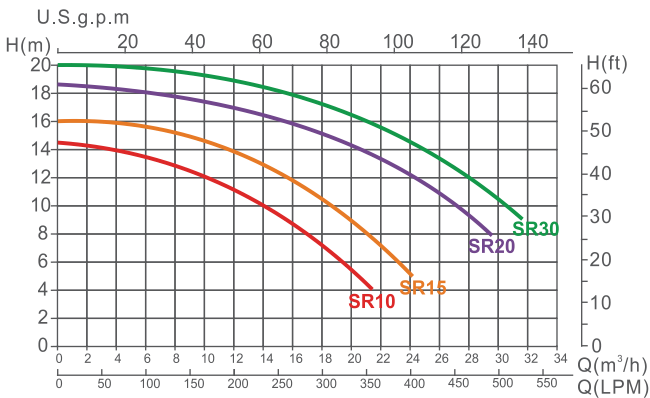
Model	Input (kW)	Current (AMP)	Noise (dB)	Head (m)					
				6	8	10	12	14	16
SB10	0.97	4.7	67	16.4	14	11	7	--	--
SB15	1.30	5.9	67	24	22	19.5	16	12	2
SB20	1.80	8.2	69	31	28	25.2	22	18	12
SB30	2.18	10.5	69	34	32	28.4	26	23	19.2

Code 230V/50Hz	Code 230V/60Hz	Code 400V/50Hz*	Model	Connection Size	Horsepower	Weight(kg)	Capacitance 220V
88021305	88021405	88021605	SB10	2" / 63mm	1.0hp	16.0	25μF
88021307	88021407	88021607	SB15	2" / 63mm	1.5hp	17.0	25μF
88021308	88021408	88021608	SB20	2" / 63mm	2.0hp	23.0	30μF
88021309	88021409	88021609	SB30	2" / 63mm	3.0hp	24.0	35μF

\*Three phase

# SR Series Pump

## Product Information



Model	Input (kW)	Current (AMP)	Noise (dB)	Head (m)					
				6	8	10	12	14	16
SR10	0.97	4.7	67	19.6	17	14	10	4	--
SR15	1.30	5.9	67	23.2	21	18.8	14.8	11.6	2
SR20	1.80	8.2	69	31	29.2	27	24	20.5	16
SR30	2.18	10.5	69	34	32	30.5	28	25	21

Code 230V/50Hz	Code 400V/50Hz*	Code 230V/60Hz	Model	Connection Size	Horsepower	Weight (kg)	Capacitance 220V
88023605	88023905	88023705	SR10	2" / 63mm	1.0hp	14.70	25μF
88023607	88023907	88023707	SR15	2" / 63mm	1.5hp	16.30	25μF
88023608	88023908	88023708	SR20	2" / 63mm	2.0hp	19.70	30μF
88023609	88023909	88023709	SR30	2" / 63mm	3.0hp	22.10	35μF

\*Three phase

# SC Series Pump

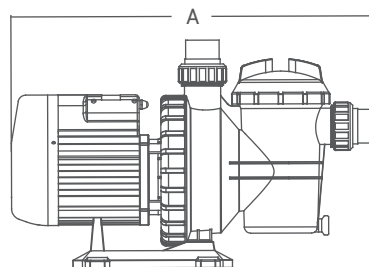
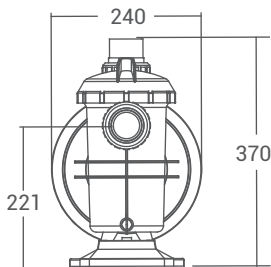
For medium size residential pools



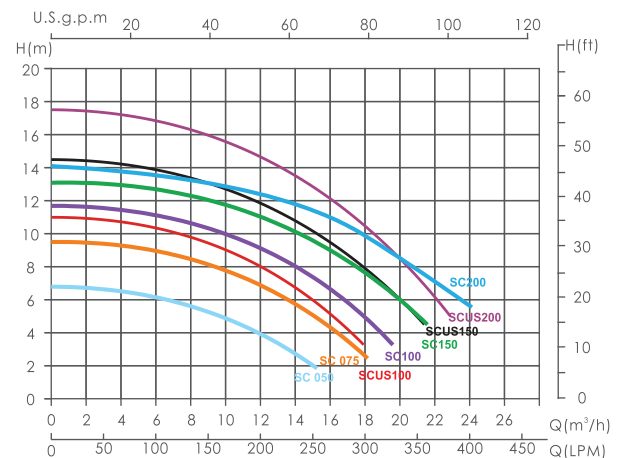
## Product Features:

1. 1.5 inch suction and discharge ports
2. Asynchronous, two-pole motor
3. Motor Insulation Class B
4. IPX5 Waterproof
5. Built-in thermal protection
6. Overload protection
7. External heat sink
8. Available in 50Hz or 60Hz for 230V/115
9. Specially designed unions compatible for both Imperial and Metric standards
10. Self-Priming up to 2m above water level
11. Testing Pressure (50 psi / 3.5Bar)
12. 316 stainless steel shaft
13. 316 stainless steel mechanical seal
14. Basket volume 2.5 litres
15. Low noise level, low energy and easy maintenance.

## Product Information and Dimensions:



Model	Input (kW)	Current (AMP)	Noise (dB)	Head (m)					
				4	6	8	10	12	14
SC050	0.51	2.5	60	12	6.8	---	--	--	--
SC075	0.75	3.5	68	16.4	13.8	9	--	--	--
SC100	0.97	4.7	70	19	17	14	10	--	--
SC150	1.30	5.9	70	22	20	17.2	14	--	--
SC200	1.71	8.2	73	26	23.2	21	18	--	--
SCUS100	0.97	4.2/8.4	70	17	15	12	7	--	--
SCUS150	1.40	6.2/12.4	70	--	20	18	15	11.8	5
SCUS200	1.80	8.0/16.0	73	--	22	20.8	18.6	16	13



Remark: The performance curve above is for 50Hz models

Code 230V/50Hz	Code 230V/60Hz	Code 230V/115V/60Hz*	Model	Connection Size	Horsepower	Weight (kg)	Capacitance 230V	Capacitance 115V/230V	A mm
88021703	88021803	/	SC050	1.5" / 50mm	0.5hp	10.4	14μF	/	600
88021704	88021804	/	SC075	1.5" / 50mm	0.75hp	12.1	20μF	/	600
88021705	88021805	/	SC100	1.5" / 50mm	1.0hp	13.4	25μF	/	600
88021707	88021807	/	SC150	1.5" / 50mm	1.5hp	14.9	25μF	/	600
88021708	88021808	/	SC200	1.5" / 50mm	2.0hp	15.4	30μF	/	600
/	/	88020605	SCUS100	1.5" / 50mm	1.0hp	15	/	90μF	610
/	/	88020607	SCUS150	1.5" / 50mm	1.5hp	16	/	90μF	610
/	/	88020608	SCUS200	1.5" / 50mm	2.0hp	17.5	/	100μF	610

Note: SCUS100, SCUS150, SCUS200 are for US market only  
\*Deal voltage model



# All-Star Series Pump

Specially designed for above-ground pool



 **ALL-STAR**

## Robust Pumps for above-ground pools

The Emaux All-Star series pump is specifically designed as a superior pump for above-ground pools. Heavy duty construction and advanced engineering deliver high flow performance and reliability. It offers a powerful, quiet, and a long operational lifespan.

### Features

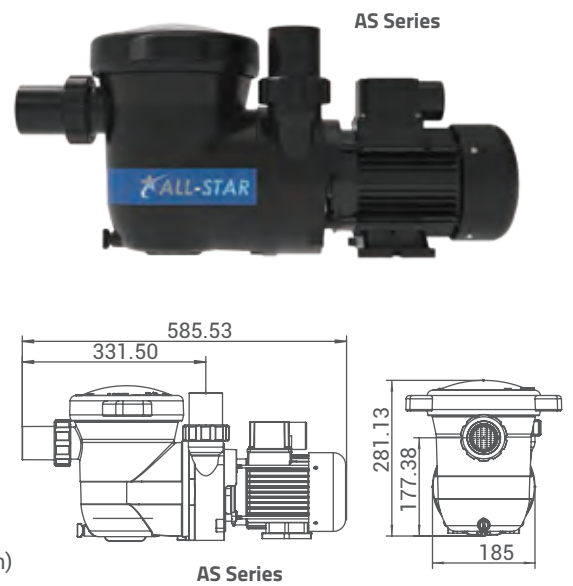
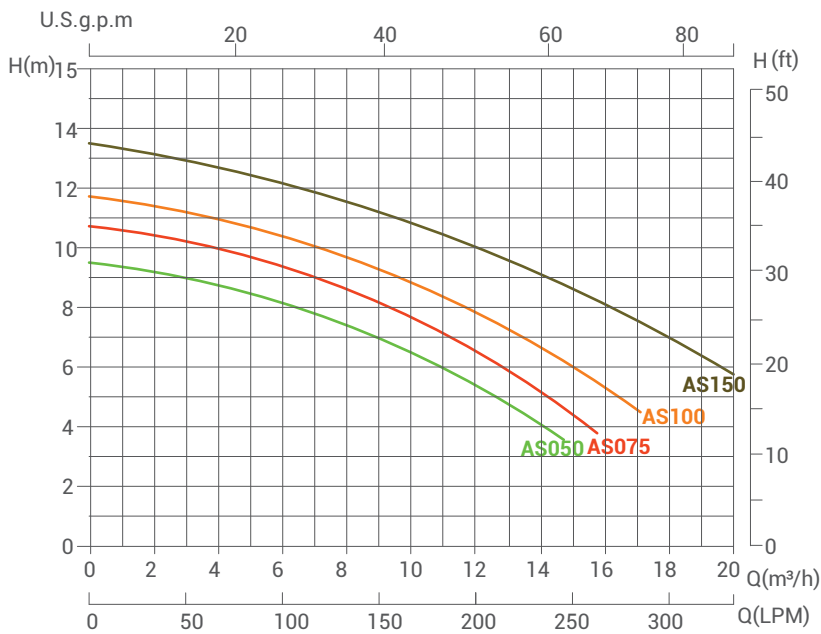
1. Includes a motor shroud for Canada versions and a mounting base. All components are molded in corrosion-proof reinforced thermoplastic for superior strength and reliability.
2. Easy access discharge port allows conversion from vertical to horizontal discharge orientation.
3. 1.5" PVC pipe union or NPT thread to 1.25" - 1.5" hose band adaptor for quick inlet/outlet hose connection.
4. Large debris basket with see-through lid reduces cleaning frequency. Twist-Lock lid design enables hassle-free access to the basket.
5. Optimal volute and impeller design provides an excellent hydraulic performance.
6. Suitable for in-ground pools: self-priming vertical lift up to 5ft (1.5 metres).
7. Super quiet operation especially for dual-speed models.
8. Heavy duty high performance motor with automatic thermal overload protection.

## Exploded Diagram:



## Technical Information:

AS Series: with TEFC motor and CE certificate

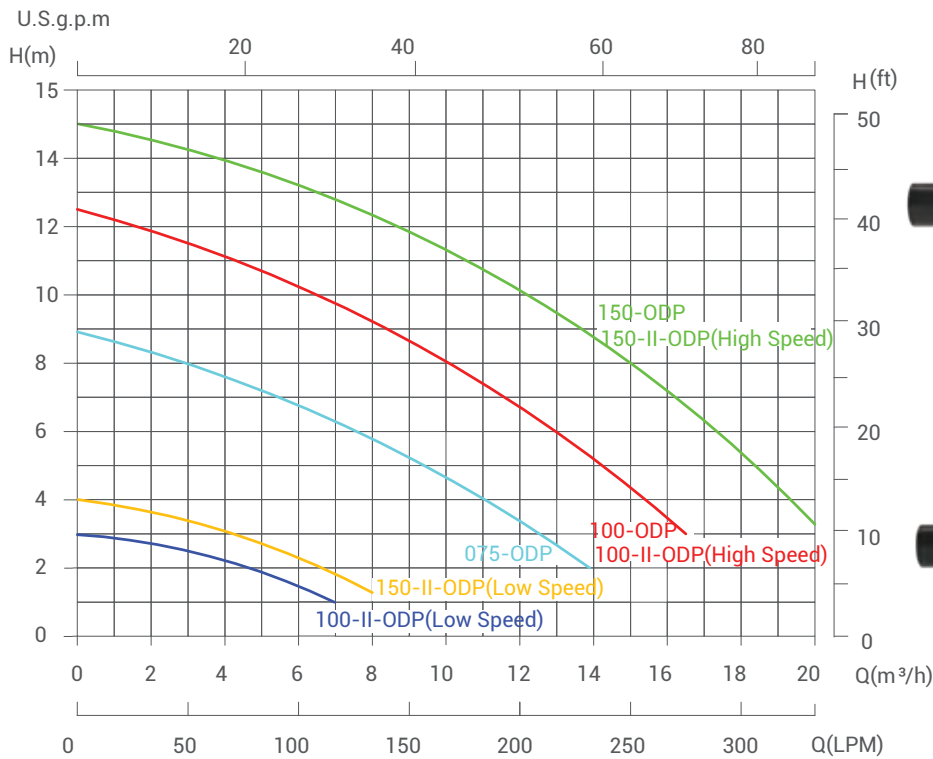


Code (230V/50Hz)	Model	Connection Size	HP	UF	Weight (kg)	Input (kW)	Current (AMP)	Noise (dB)	Head (m)		
									6	8	10
									Flow Rate (m³/h)		
9024301	AS050	1.5"/50mm	0.5	8	10	0.55	2.5	62	10.5	6.4	--
9024302	AS075	1.5"/50mm	0.75	14	10.5	0.75	3.5	62	13	9.3	4
9024303	AS100	1.5"/50mm	1.0	20	11.5	0.9	4.7	65	15	11.7	7
9024304	AS150	1.5"/50mm	1.5	30	12.5	1.1	5.8	68	19.6	16.2	12

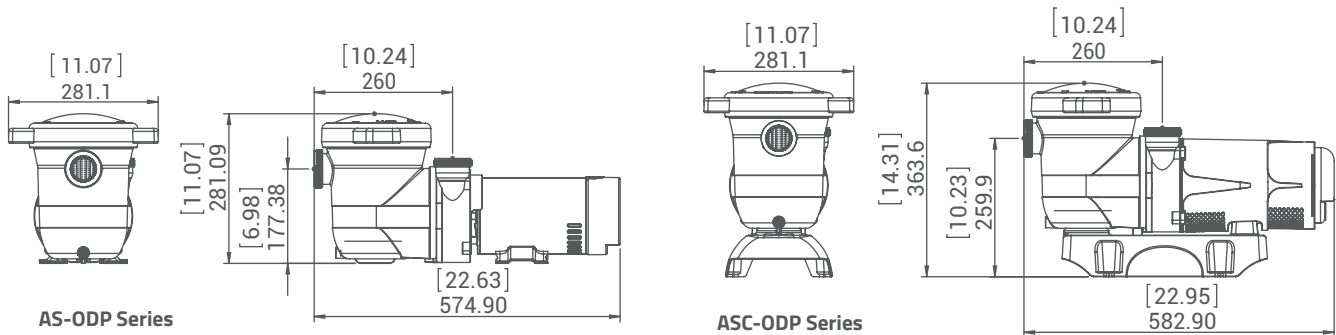
## Technical Information (AS-ODP and ASC-ODP Series):

**AS-ODP Series:** with ODP motor and UL certificate

**ASC-ODP Series:** with ODP motor, UL certificate and motor shroud and elevated mounting base



Note: The performance curve above is for 60Hz models



Code	Model	Speed	Voltage	Input Power	HP	Full Load Current (A)	Connection Size	Noise Level dB @ 1m
9024101	ASC075-ODP	Single	115Vac 60Hz	0.55kW	0.75	6.2	1 ¼" - 1 ½"	66
9024102	ASC100-ODP	Single	115Vac 60Hz	0.75kW	1.0	9.5	1 ¼" - 1 ½"	68
9024103	ASC100-II-ODP	Dual	115Vac 60Hz	0.75kW	1.0	9.5	1 ¼" - 1 ½"	68/52
9024104	ASC150-ODP	Single	115Vac 60Hz	1.10kW	1.5	10.5	1 ¼" - 1 ½"	69
9024105	ASC150-II-ODP	Dual	115Vac 60Hz	1.10kW	1.5	10.5	1 ¼" - 1 ½"	69/52
9024201	AS075-ODP	Single	115Vac 60Hz	0.55kW	0.75	6.2	1 ¼" - 1 ½"	66
9024202	AS100-ODP	Single	115Vac 60Hz	0.75kW	1.0	9.5	1 ¼" - 1 ½"	68
9024203	AS100-II-ODP	Dual	115Vac 60Hz	0.75kW	1.0	9.5	1 ¼" - 1 ½"	68/52
9024204	AS150-ODP	Single	115Vac 60Hz	1.10kW	1.5	10.5	1 ¼" - 1 ½"	69
9024205	AS150-II-ODP	Dual	115Vac 60Hz	1.10kW	1.5	10.5	1 ¼" - 1 ½"	69/52

# SS Series Pump

For the small size residential pools or above-ground pools



SS Series Pump

SS Series Pump with timer

## THE BEST OPTION FOR SMALLER PLUMBING

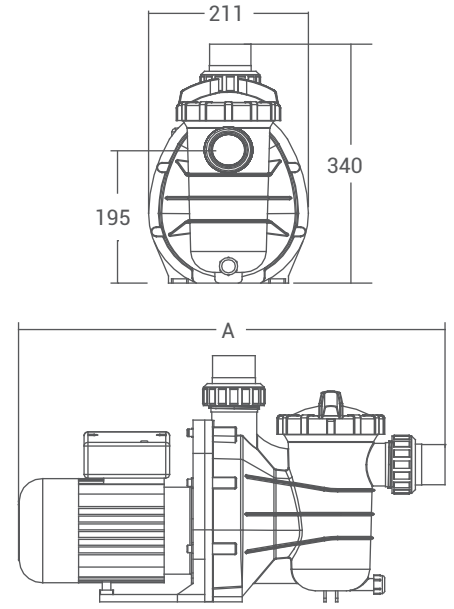
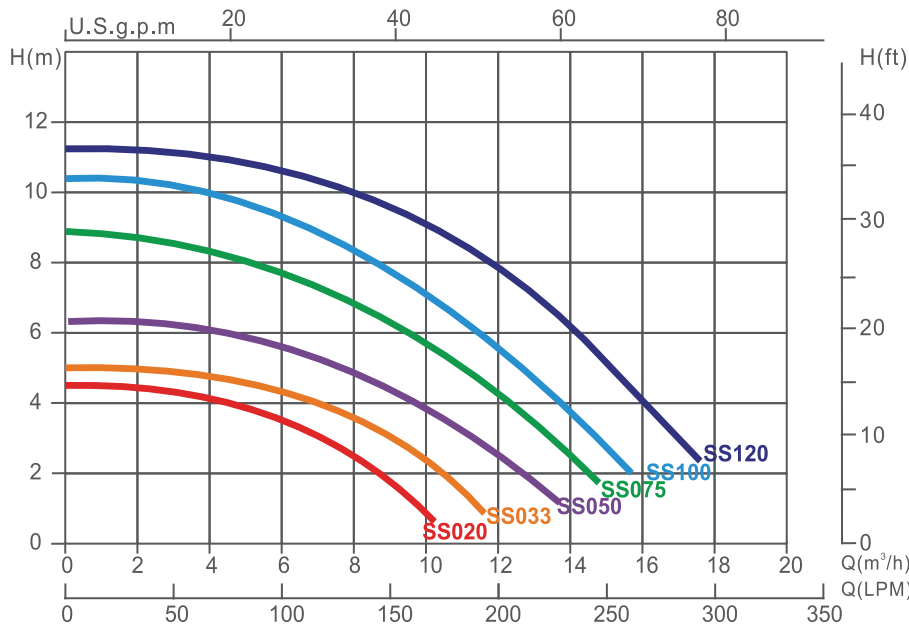
The SS pump is quiet running and energy efficient. 1.5-inch suction and discharge port with a transparent lid. It operates at a low decibel and energy consumption which requires minimal maintenance.

### Additional features for timer option:

1. The SS Series pump offers an optional built-in timer that allows the user to quickly set up the pump's running schedule on a user-friendly control pad.
2. Set up the ideal switch-on time and the run-time ranging from 2 hours a day to 24 hours.
3. Battery backup memory up to 72 hours.



SAA



Remark: The performance curve above is for 50Hz models

## Product Information and Dimensions:

Model	Input (kW)	Current (AMP)	Noise (dB)	Head (m)			
				2	4	6	8
Flow Rate (m³/h)							
SS020/SS020T	0.28	1.5	55	8.4	4	--	--
SS033/SS033T	0.43	2	55	10.4	7	--	--
SS050/SS050T	0.55	2.5	60	12.4	10	4	--
SS075/SS075T	0.75	3.5	60	14.4	12.2	9.4	5
SS100/SS100T	0.90	4.7	65	15.2	13.8	11.4	8.4
SS120/SS120T	0.97	5.8	65	18	16	14	12

## Product Features:

1. 1.5 inch suction and discharge ports
2. Asynchronous, two-pole motor
3. Motor Insulation Class B
4. IPX5 Waterproof
5. Built-in thermal protection
6. Overload protection
7. External heat sink
8. Available in 50Hz or 60Hz with 230V/110V
9. Specially designed unions compatible for both Imperial and Metric standards
10. 316 stainless steel shaft
11. 316 stainless steel mechanical seal
12. Low noise level, low energy and easy maintenance.

Code 230V/50Hz	Code 110V/60Hz	Model	Connection Size	Horsepower	Weight (kg)	Capacitance 230V	Capacitance 110V	A mm
88022401	88022601	SS020	1.5" / 50mm	0.2hp	6.20	5μF	20μF	507
88022402	88022602	SS033	1.5" / 50mm	0.33hp	6.50	6μF	24μF	507
88022403	88022603	SS050	1.5" / 50mm	0.5hp	8.03	8μF	30μF	552
88022404	88022604	SS075	1.5" / 50mm	0.75hp	9.01	14μF	40μF	552
88022405	88022605	SS100	1.5" / 50mm	1.0hp	9.09	20μF	60μF	552
88022406	88022606	SS120	1.5" / 50mm	1.2hp	11.00	20μF	60μF	552
9020329	/	SS020T	1.5" / 50mm	0.2hp	6.20	5μF	/	507
9020330	/	SS033T	1.5" / 50mm	0.33hp	6.50	6μF	/	507
9020331	/	SS050T	1.5" / 50mm	0.5hp	8.03	8μF	/	552
9020332	/	SS075T	1.5" / 50mm	0.75hp	9.01	14μF	/	552
9020333	/	SS100T	1.5" / 50mm	1.0hp	9.09	20μF	/	552
9020334	/	SS120T	1.5" / 50mm	1.2hp	11.00	20μF	/	552

# SD & ST Series Pumps

For above-ground pools (SD Series) and portable spas (ST Series)



SD Series Pump

ST Series Pump

## QUIET OPERATION AND EASY INSTALLATION

SD and ST Series Pump has the option to have the pre-filter disassembled which allows users a greater degree of applications. 1.5-inch suction and discharge port with a transparent lid. It operates at a low decibel and energy consumption which requires minimal maintenance.

### Product Features

1. 1.5 inch suction and discharge ports
2. Asynchronous, two-pole motor
3. Motor Insulation Class B
4. IPX5 Waterproof
5. Built-in thermal protection
6. External heat sink
7. Transparent lid (SD Series)
8. Available in 50Hz or 60Hz for 230V/110V
9. Specially designed unions compatible for both Imperial and Metric standards
10. 316 stainless steel shaft
11. 316 stainless steel mechanical seal
12. Low noise level, low energy and easy maintenance.

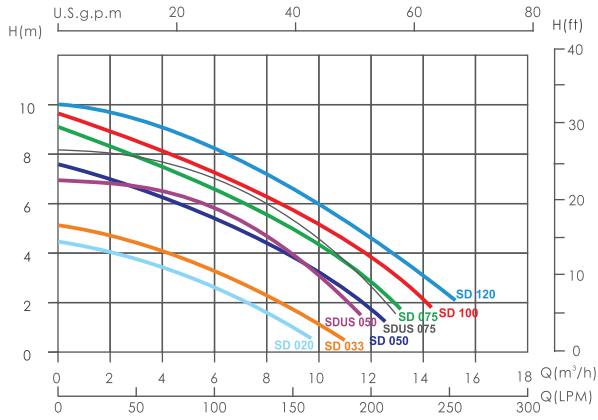


Only ST Series Pump is SAA certified

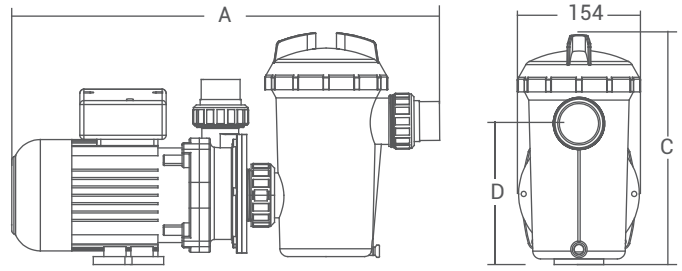


# SD Series Pump

## Product Information



Remark: The performance curve above is for 50Hz models



Model	Input (kW)	Current (AMP)	Noise (dB)	Head (m)			
				2	4	6	8
Flow Rate (m³/h)							
SD020	0.28	1.5	55	7	2	--	--
SD033	0.43	2	55	8.4	4	--	--
SD050	0.60	2.5	60	11.5	9	4.6	--
SD075	0.75	3.5	60	13	10.2	7	2.8
SD100	0.90	4.7	65	14	10.8	8.6	4.4
SD120	0.97	5.8	65	15.2	13	10	6.4

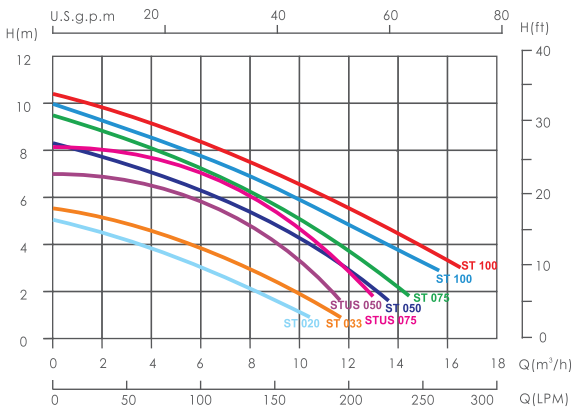
Note: SDUS050, SDUS075 are for US market only

Code 230V/50Hz	Code 110V/60Hz	Code 115V/60Hz	Model	Connection Size	Horsepower	Weight (kg)	Capacitance 230V	Capacitance 110V	Capacitance 115V	A mm	C mm	D mm
88022101	88022301	/	SD020	1.5" / 50mm	0.2hp	6.2	5µF	20µF	/	510	278	167
88022102	88022302	/	SD033	1.5" / 50mm	0.33hp	6.5	6µF	24µF	/	510	278	167
88022103	88022303	/	SD050	1.5" / 50mm	0.5hp	8.0	8µF	30µF	/	555	291	173
88022104	88022304	/	SD075	1.5" / 50mm	0.75hp	9.0	14µF	40µF	/	555	291	173
88022105	88022305	/	SD100	1.5" / 50mm	1.0hp	9.1	20µF	60µF	/	555	291	173
88022106	88022306	/	SD120	1.5" / 50mm	1.2hp	11.0	20µF	60µF	/	555	291	173
/	/	88020303*	SDUS050	1.5" / 50mm	0.5hp	9.0	/	/	30µF	555	270	173
/	/	88020304*	SDUS075	1.5" / 50mm	0.75hp	10.0	/	/	30µF	555	270	173

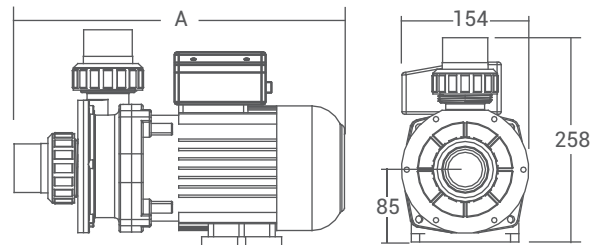
\*ETL ready

# ST Series Pump

## Product Information



Remark: The performance curve above is for 50Hz models



Model	Input (kW)	Current (AMP)	Noise (dB)	Head (m)			
				2	4	6	8
Flow Rate (m³/h)							
ST020	0.28	1.5	55	8.2	3.2	--	--
ST033	0.43	2	55	9.8	5.2	--	--
ST050	0.55	2.5	60	13.2	10.3	6.6	1
ST075	0.75	3.5	60	14.4	11.3	8.6	4
ST100	0.90	4.7	65	17	13.6	9.8	5.1
ST120	0.97	5.8	65	18	14.8	11	6.8

Note: STUS050, STUS075 are for US market only

Code 230V/50Hz	Code 230V/60Hz	Code 110V/60Hz	Code 115V/60Hz	Model	Connection Size	Horsepower	Weight (kg)	Capacitance 230V	Capacitance 110V	Capacitance 115V	A mm
88023001	88023101	88023201	/	ST020	1.5" / 50mm	0.2hp	4.5	4µF	20µF	/	330
88023002	88023102	88023202	/	ST033	1.5" / 50mm	0.33hp	5.1	6µF	24µF	/	330
88023003	88023103	88023203	/	ST050	1.5" / 50mm	0.5hp	7.3	8µF	30µF	/	375
88023004	88023104	88023204	/	ST075	1.5" / 50mm	0.75hp	8.2	14µF	40µF	/	375
88023005	88023105	88023205	/	ST100	1.5" / 50mm	1.0hp	9.1	20µF	60µF	/	375
88023006	88023106	88023206	/	ST120	1.5" / 50mm	1.2hp	9.3	20µF	60µF	/	375
/	/	/	88020203*	STUS050	1.5" / 50mm	0.5hp	9.0	/	/	30µF	375
/	/	/	88020204*	STUS075	1.5" / 50mm	0.75hp	10.0	/	/	30µF	375

\*ETL ready

# Aqua-Mini Pump

For above-ground pools, optional built-in timer



Timer option

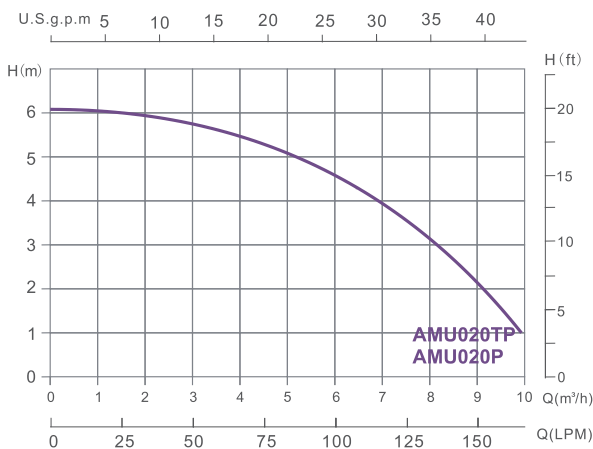
## LOW RUNNING COST AND NOISE LEVEL

Aqua-Mini pump is specially designed for the above-ground swimming pool. Attached with a pre-filter and a transparent lid, it is easy to maintain. A Timer is also available for users who prefer minimal monitoring. Once the users have set a start time and duration period, the pump will start and operate accordingly every day.

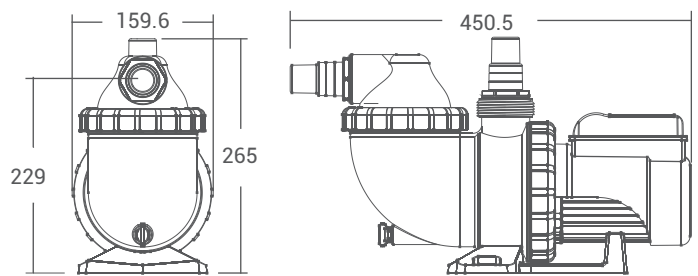
### Product Features

1. Pump body with pre-filter and rotating transparent lid for easy installation and maintenance
2. Supplied with union connectors and flexible hose adaptors
3. Timer option is available
3. Asynchronous, Two poles
4. Motor Insulation Class B
5. IPX5 Waterproof
6. Built-in thermal protection
7. External heat sink
8. Available in 50Hz or 60Hz for 230V/110V
9. Specially designed unions are compatible for both imperial and metric standards
10. Low noise level, low energy and easy maintenance.

### Technical Information:



Note: The performance curve above is for 50Hz models



Model	Input (kW)	Current (AMP)	Noise (dB)	Head (m)			
				2	3	4	5
AMU020TP	0.25	1.2	55	9.1	8.1	6.9	5.1
AMU020P	0.25	1.2	55	9.1	8.1	6.9	5.1

Code 230V/50Hz	Code 110V/60Hz	Code 230V/60Hz	Model	Description	Horsepower	Connection Size	Adaptor	Weight (kg)
88028401	88028501	88028301	AMU020TP	0.20HP Aqua-Mini Pump (with timer & pre-filter)	0.2hp	1.5" / 50mm	1 1/4" & 1 1/2" 32 & 38mm	4.2
88027801	88027901	88027701	AMU020P	0.20HP Aqua-Mini Pump (with pre-filter)	0.2hp	1.5" / 50mm	1 1/4" & 1 1/2" 32 & 38mm	4.2



# Hydrau-Power Commercial Pump

For commercial pools, aquatic parks, and seawater facilities



## EXCELLENT HYDRAULIC EFFICIENCY UP TO 91%

### Product Features

1. High volume self-priming thermoplastic pump ideal for large filtration systems.
2. Proven hydraulic efficiency up to 91%
3. Premium Efficiency IE3 Class Motor (compliance IEC 60034-30).
4. Francis-vane impeller allows for broadband efficiency and large flow range.
5. Smooth throat volute design facilitates the high work efficiency.
6. The operating frequency can be controlled externally by Variable Frequency Drive (VFD).
7. Fiber reinforced plastic casing provides substantial temperature, pressure, vibration and impact performance.
8. Secondary seal chamber prevents water leakage and acts as a vapour blocker to the motor.
9. Large suction-side detachable strainer capacity in 13 and 30 Liter.
10. Low noise level up to 68dB
11. IPX5 Waterproof

The Emaux Hydrau-Power pump is a series of powerful and robust pumps engineered for applications requiring high flow capability and efficiency. The pump is constructed with high impact corrosion resistant thermoplastics and equipped with a large capacity strainer. The Hydrau-Power pump is suitable for a variety of applications including all types of commercial pools, aquatic parks, and seawater facilities.



13L/30L  
Strainer Basket



Francis-Vane  
Impeller



IE 3 Class  
Motor

## Product Information

Code 400V/50Hz*	Model	Connection Size ANSI / DIN	Horsepower (hp)	Strainer Vol (L)	RPM	Power (kW)	Noise (dB)	Head (m)					
								6	8	10	12	14	16
9023901	APS550P	4"/DN100	5.5	13	2850	4	72	95	90	82	75	65	50
9023902	APS750P	4"/DN100	7.5	13	2850	5.5	72	130	120	110	105	90	80
9023903	APS1000P	6"/DN150	10	30	1450	7.5	68	--	210	185	180	160	135
9023904	APS1500P	6"/DN150	15	30	1450	11	68	--	270	260	250	240	210

Code 400V/60Hz*	Model	Connection Size ANSI / DIN	Horsepower (hp)	Strainer Vol (L)	RPM	Power (kW)	Noise (dB)	Head (m)					
								6	8	10	12	14	16
9023905	APS550P	4"/DN100	5.5	13	3400	4	78	85	80	70	65	50	40
9023906	APS750P	4"/DN100	7.5	13	3400	5.5	78	115	110	100	90	80	70
9023907	APS1000P	6"/DN150	10	30	1750	7.5	72	--	210	180	160	140	120
9023908	APS1500P	6"/DN150	15	30	1750	11	72	--	270	240	225	200	180

Code 230/460V 60Hz*	Model	Connection Size ANSI / DIN	Horsepower (hp)	Strainer Vol (L)	RPM	Power (kW)	Noise (dB)	Head (m)					
								6	8	10	12	14	16
9023909	APS550P	4"/DN100	5.5	13	3400	4	78	85	80	70	65	50	40
9023910	APS750P	4"/DN100	7.5	13	3400	5.5	78	115	110	100	90	80	70
9023911	APS1000P	6"/DN150	10	30	1750	7.5	72	--	210	180	160	140	120
9023912	APS1500P	6"/DN150	15	30	1750	11	72	--	270	240	225	200	180

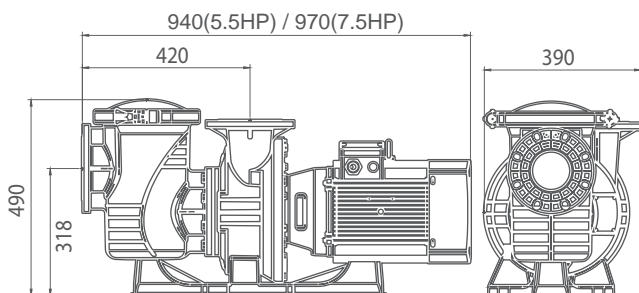
\*Three phase model

## Specification

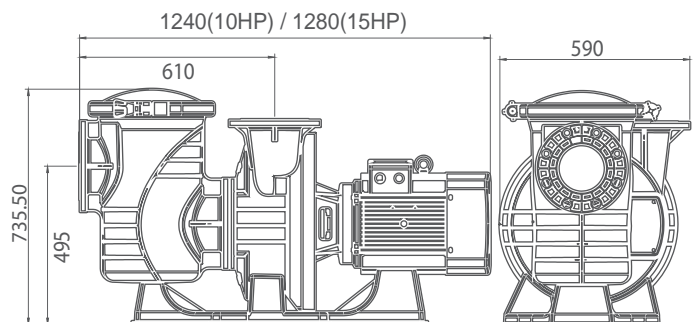
<b>Motor</b>	Premium Efficiency IE3 Class Motor	<b>Water Proof</b>	IPX5
<b>Design Methodology</b>	Advanced computer 3D design modeling for CFD analysis	<b>Flow Rate</b>	Up to 280m <sup>3</sup> /h
<b>Design Reference (Applicable only)</b>	ISO 5199 : 2002	<b>Differential Head</b>	Up to 22m
<b>Operating Pressure</b>	0-2 bar 25°C to 35°C	<b>Speed</b>	2 pole up to 2850 rpm 4 pole up to 1450 rpm
<b>Temperature Range</b>	0°C to 45°C (Water) 0°C to 45°C (Ambient)	<b>Motor Insulation</b>	Class F
<b>Flange Standard</b>	DIN (PN10) ANSI (Class150)		

## Product Dimension

APS550P/APS750P



APS1000P/APS1500P



Self-Priming Pump: APS550P, APS750P  
Centrifugal Pump: APS1000P and APS1500P

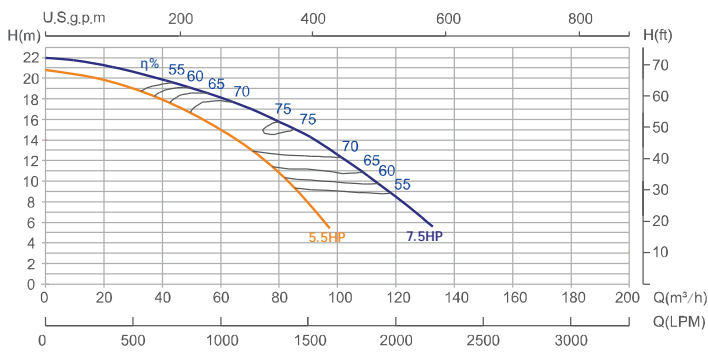


## Material Table

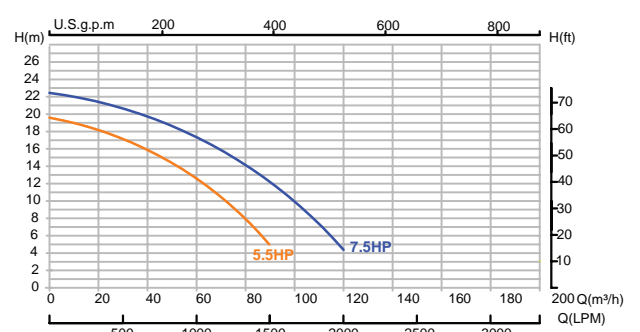
Items	Material
Motor Casing	Aluminum
Motor Bracket	Cast Iron
Shaft Sleeve	SS316
Mechanical Seal	SS316 + EPDM/ Ceramic/ carbon
Body	PP+GF
Basket	PP
Strainer	PPO+GF
Impeller	SS316 + PPO+GF
Base	PP+GF
Lid	PC

## Technical Information

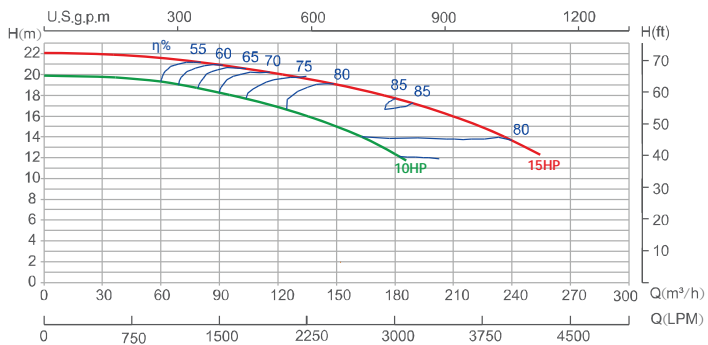
2850RPM 50Hz



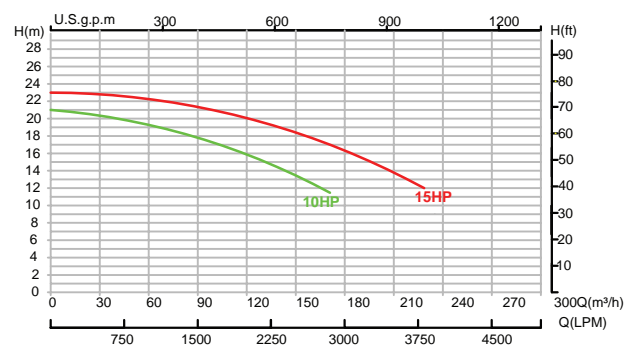
3400RPM 60Hz



1450RPM 50Hz



1750RPM 60Hz



# Ultra-power Commercial Pump

For commercial pools, spas, aquatic parks, and seawater facilities



Product Video

### Specification:

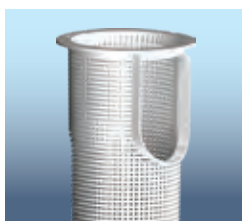
1. Waterproof: IPX5
2. Self Priming: 3 m
3. Flow rate: Up to 110 m<sup>3</sup>/h
4. Working Voltage: 380-400Vac
5. Premium Efficiency IE3 Class Motor
6. Bearing: High temperature resistant up to 160°C

## SUPREME PERFORMANCE SELF-PRIMING PUMP

Ultra-Power is a series of high-performance pumps designed to achieve the highest flows among similar pumps on the market. By utilizing state-of-the-art engineering, the one-piece molded pump body with a large capacity 8-liter strainer basket makes it unique among all comparable pumps. Built with corrosion and chemical resistant glass-reinforced thermoplastic and superior seawater graded mechanical seal guarantee a long working life.



3" Union



8L Strainer Basket



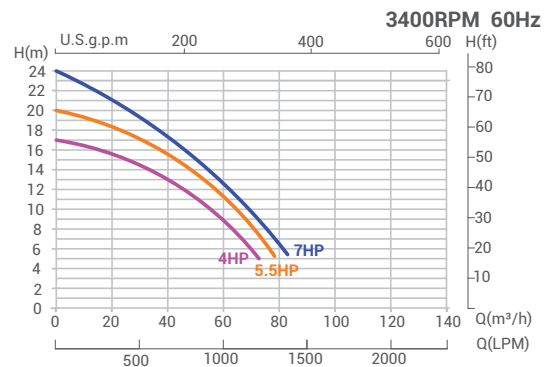
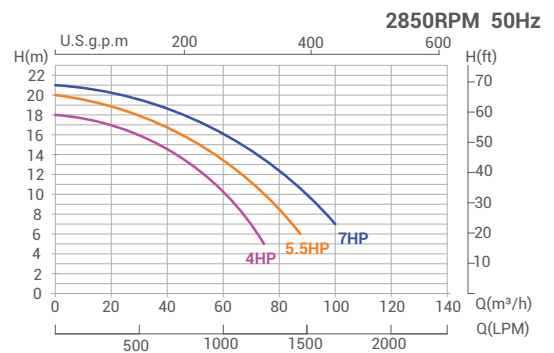
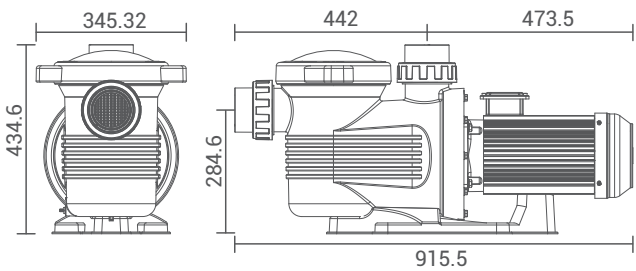
IE3 Class TEFC Motor



One-piece Moulded Pump Body



SS316+EPDM/ Ceramic/ Carbon Mechanical Seal



## Outstanding Hydraulic Performance. Highest Efficiency up to 80%

The Ultra-Power pump is Emaux's first commercial pump with a 3" union to achieve the hydraulic performance of more than 45 m<sup>3</sup>/h at 18m of head (7hp model). With a wide selection of power options (from 4, 5.5, 7hp) available in 3-phase motor, it becomes one of the most efficient and energy-saving solution for various range of the commercial pool and seawater facilities.

## Product Information:

Code 400V/50HZ*	Model	Connection Size	Horsepower (hp)	Strainer Vol (L)	RPM	Input Power (kw)	Noise (dB)	Current (AMP)	Head (m)						
									8	10	12	14	16	18	
										Flow Rate(m <sup>3</sup> /h)					
9024401	UPH400	3"/90mm	4	8	2850	3	70	5.5	64	62	53	42	30	---	
9024402	UPH550	3"/90mm	5.5	8	2850	4	72	8	82	75	66	58	43	28	
9024403	UPH700	3"/90mm	7	8	2850	5	72	10	96	90	82	72	60	45	

Code 230V/460V 60Hz*	Model	Connection Size	Horsepower (hp)	Strainer Vol (L)	RPM	Input Power (kw)	Noise (dB)	Current (AMP)	Head (m)						
									8	10	12	14	16	18	
										Flow Rate(m <sup>3</sup> /h)					
9024404	UPH400	3"/90mm	4	8	3400	3	70	5.5	60	52	45	32	15	---	
9024405	UPH550	3"/90mm	5.5	8	3400	4	72	8	70	65	58	50	38	22	
9024406	UPH700	3"/90mm	7	8	3400	5	72	10	73	70	62	55	42	38	

\*Three phase

# SE Series Commercial Iron Pump

For fresh water commercial pools



AISI-304 Stainless Steel Impeller



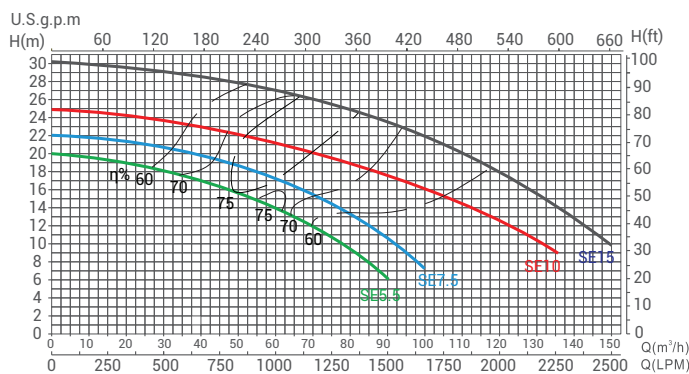
## HEAVY DUTY APPLICATIONS

SE Series Commercial Iron Pump build to cater commercial usage (e.g Large-size swimming pool, spa pool, water feature, etc). Cast iron body with easy to clean large strainer basket. Stainless Steel or Metal Impellers options are available to match your need, range from 5.5 hp to 15 hp, suitable for heavy-duty commercial usage (e.g. Large size swimming pool, commercial spa pools and water features). Renowned ABB motor is used to ensure quiet and stable operation.

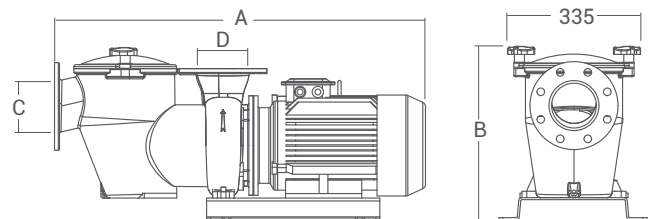
## Product Features

1. Cast iron body with AISI-304 stainless basket
2. Optional AISI-304 stainless steel or cast iron impellers depending on requirement.
3. Asynchronous, two-pole motor
4. Motor Insulation Class B
5. IPX5 Waterproof
6. Available in 400V/50Hz
7. Testing Pressure 50 psi (3.5 Bar)
8. Basket Volume 5 litres

## Technical Information:



## Product Information and Dimensions:



Model	Input (kW)	Current (AMP)	Noise (dB)	Head (m)					
				8	10	12	14	16	18
SE5.5	4.70	7	72	83	75	70	60	45	25
SE7.5	6.40	9	76	100	92	85	75	65	45
SE10	8.60	14	75	135	130	120	112	95	80
SE15	12.40	18	78	160	150	142	135	120	110

Code 400V/50H* (Cast iron impeller)	Code 400V/50H* (SS304 impeller)	Model	Connection Size	Horsepower	Output power (kW)	Voltage	Weight (kg)	A mm	B mm	C mm	D mm
9021005	9021006	SE5.5	3" / 90mm	5.5hp	4.0	380-420	95	860	415	DN80	DN80
9021007	9021008	SE7.5	3" / 90mm	7.5hp	5.5	380-420	100	860	415	DN80	DN80
9021001	9021002	SE10	4" / 110mm	10hp	7.5	380-420	118	915	445	DN100	DN100
9021003	9021004	SE15	4" / 110mm	15hp	11.0	380-420	130	945	445	DN100	DN100

\*Three phase





# SWP Series Corrosion Resistant FRP Pump

For seawater & water with corrosive compounds applications



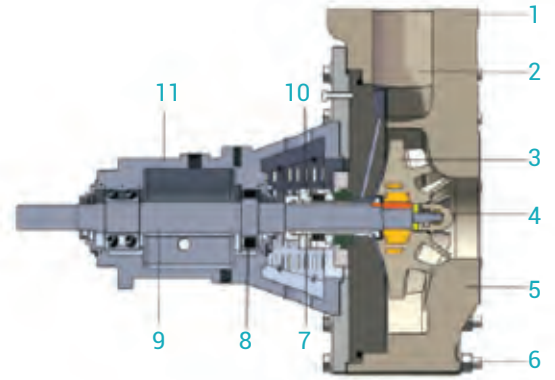
## STRONG RESISTANCE TO CORROSIVE LIQUIDS

SWP Series Pump combines materials and manufacturing technology to provide strong resistance to corrosive liquids and the reliability to work under extreme environments.

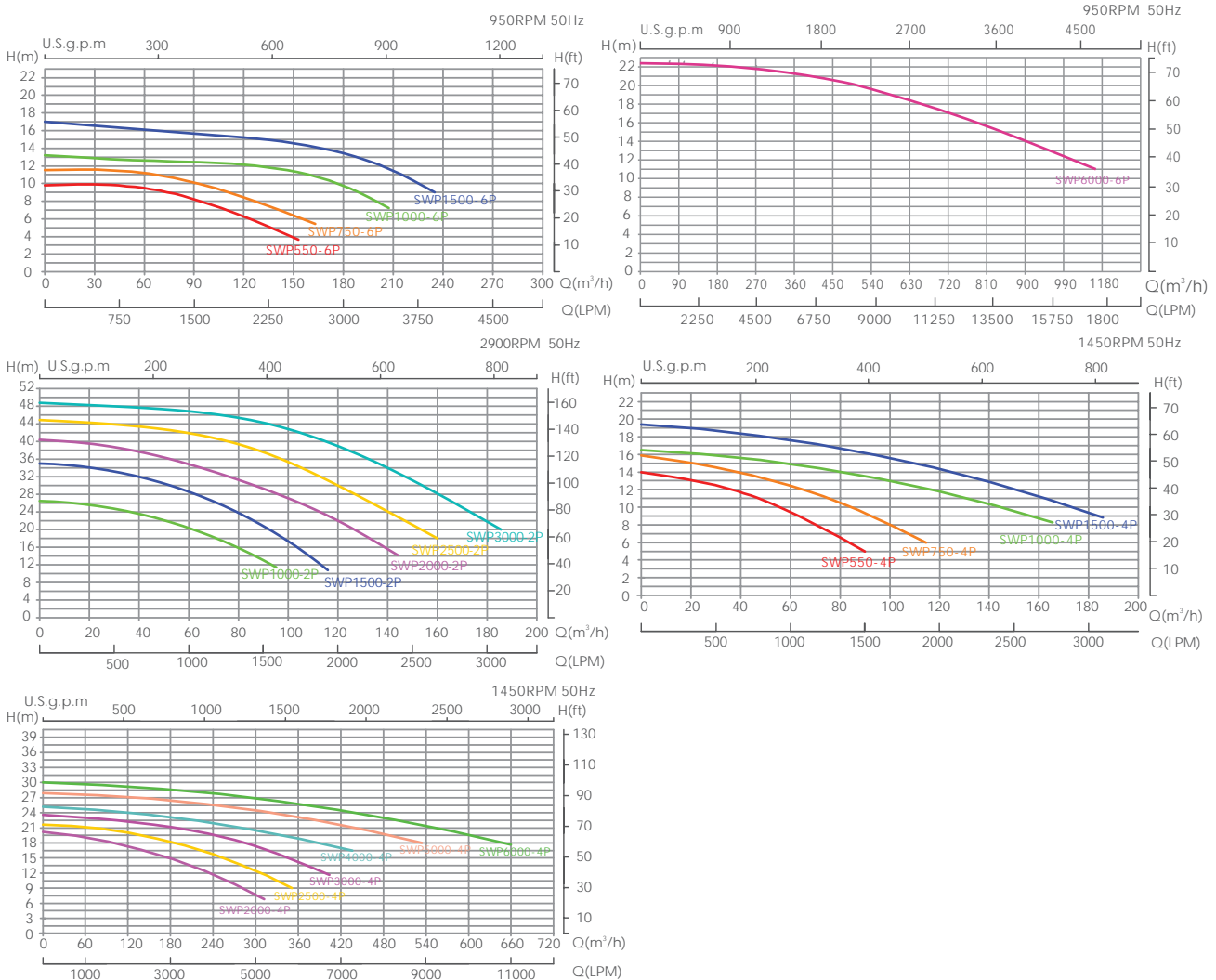
The SWP pump is a Single Stage, End Suction, Horizontal Centrifugal Pump, designed to ISO 5199-2002 Standards for Chemical Process Pumps. The pumps are designed with vertical centerline discharge and back pull-out construction. All wet parts are corrosion resistant and non-metallic.

## Product Features

1. Compliance with European DIN Standard
2. Smooth hydraulic passages to increase pump efficiency
3. Tapered polygon impeller provides high capacity and greater efficiency
4. Externally adjustable impeller clearance provides ease of maintenance and maximum efficiency
5. All wet parts in either Vinyl or Ester Epoxy Resin provide better chemical resistance
6. Bolts through casing ensure O-ring seal integrity under all hydraulic operating conditions
7. Integral shaft sleeve design protects the pump shaft from exposure to fluids
8. Large Swedish made SKF bearings ensure long operation life
9. Heavy-duty shaft minimizes deflection to maximize mechanical seal life
10. External type AISI-316L mechanical seal for highly corrosive fluids, static and rotating ring in SiC and Spring
11. Polyester thermosetting powder coated power frame construction prevent external corrosion
12. Coupled to ABB Motor. Optional earthing rings or insulated bearings prevent bearing erosion when installing with VFD for the electric motor speed control.
13. IPX5 Waterproof

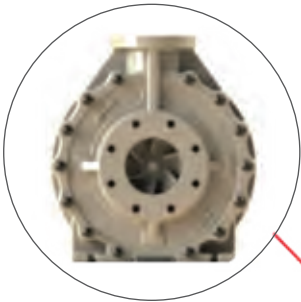


## Technical Information

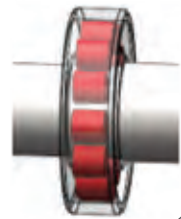
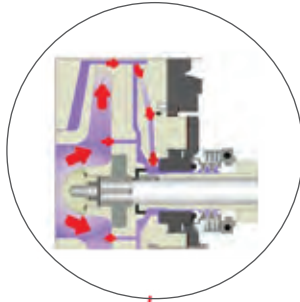


# Advantage on Design

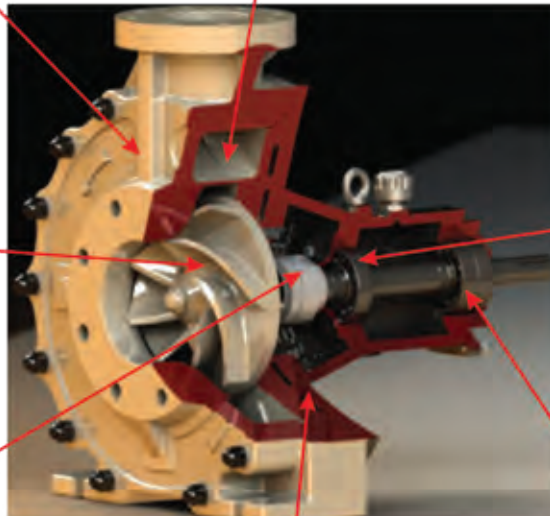
Compared with Stainless Steel, Fiberglass has better anti-corrosion effects



Mechanical Seal with Internal Cool Down and Clean Up Channel



High Efficient SKF Ball Bearings provide longer life compared with conventional Ball Bearings



Double Row Ball Bearings enhance efficiency and provide power savings to extend product life



High Efficient Impeller



External type AISI-316L mechanical seal for highly corrosive fluids, static and rotating rings in SiC, spring and Polyester thermosetting powder coated power frame construction to prevent external corrosion



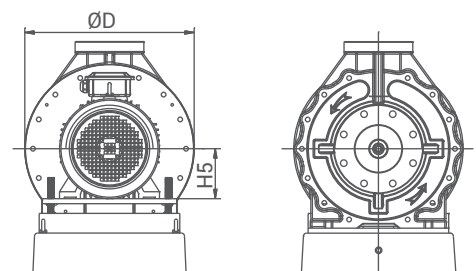
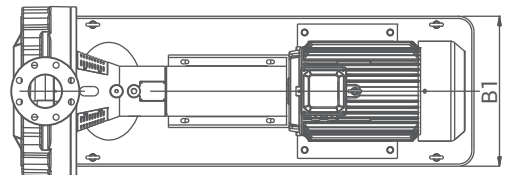
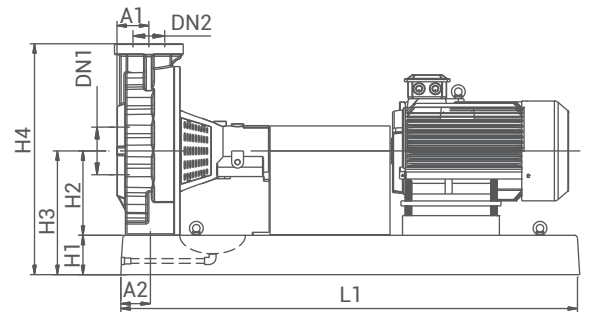
316 L Stainless Steel with corrosion resistance

## Product Dimension

Body (Motor - 4P)	L1	B1	H1	H2	H3	H4	H5	DN1	DN2	ØD	A1	A2
	(mm)							(inch / mm)		(mm)		
100 x 80	1200	420	100	210	310	590	112	4"/100	3"/80	458	102	78
100 x 80	1200	420	100	210	310	590	132	4"/100	3"/80	458	102	78
150 x 100	1450	480	100	254	354	697	132	6"/150	4"/100	540	102	78
150 x 100	1450	480	100	254	354	697	160	6"/150	4"/100	540	102	78
200 x 150	1530	570	100	368	468	874	160	8"/200	6"/150	700	152	93
200 x 150	1530	570	100	368	468	874	180	8"/200	6"/150	700	152	93
300 x 250	2032	600	100	457	557	1217	280	12"/300	10"/250	1003	197	203

## Technical Information

Code	Model	Inlet x Outlet x Impeller Dia (mm)	RPM	Power	Weight (kg)
9023512	SWP550-6P	150 x 100 x 250	950	5.5hp 4.0kW	420
9023513	SWP750-6P	150 x 100 x 270	950	7.5hp 5.5kW	435
9023514	SWP1000-6P	200 x 150 x 270	950	10.0hp 7.5kW	643
9023515	SWP1500-6P	200 x 150 x 300	950	15.0hp 11.0kW	665
9023516	SWP6000-6P	300 x 250 x 405	950	60.0hp 45.0kW	1020
9023503	SWP550-4P	100 x 80 x 205	1450	5.5hp 4.0kW	285
9023504	SWP750-4P	100 x 80 x 220	1450	7.5hp 5.5kW	300
9023505	SWP1000-4P	150 x 100 x 225	1450	10.0hp 7.5kW	417
9023506	SWP1500-4P	150 x 100 x 250	1450	15.0hp 11.0kW	480
9023501	SWP2000-4P	200 x 150 x 250	1450	20.0hp 15.0kW	647
9023502	SWP2500-4P	200 x 150 x 265	1450	25.0hp 18.5kW	677
9023509	SWP3000-4P	200 x 150 x 280	1450	30.0hp 22.0kW	694
9023511	SWP4000-4P	200 x 150 x 295	1450	40.0hp 30.0kW	763
9023518	SWP5000-4P	200 x 150 x 310	1450	50.0hp 37.0kW	796
9023510	SWP6000-4P	200 x 150 x 325	1450	60.0hp 45.0kW	828
9023507	SWP1000-2P	100 x 80 x 155	2900	10.0hp 7.5kW	322
9023508	SWP1500-2P	100 x 80 x 170	2900	15.0hp 11.0kW	345
9023517	SWP2000-2P	100 x 80 x 185	2900	20.0hp 15.0kW	358
9023519	SWP2500-2P	100 x 80 x 200	2900	25.0hp 18.5kW	377
9023520	SWP3000-2P	100 x 80 x 215	2900	30.0hp 22.0kW	403



# Basket Strainer

For swimming pools, aquatic parks, aquariums & zoos, and water treatment

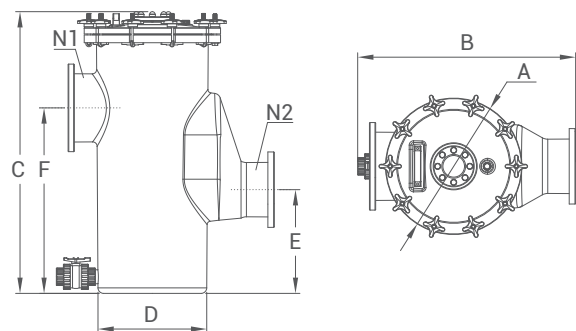
## STOPS LARGE SOLIDS

Commercial basket strainer is designed to be installed with the Emaux SWP Series FRP Pump for the best performance of the water circulation system. The basket strainers are suitable for both saltwater and freshwater systems.



## A ROBUST AND DURABLE PRE-FILTER

The strainer comes with a heavy-duty PP basket that acts as a pre-filter for the protection of the pumps, meters, and valves. It is typically installed prior to the pump to catch large, solid impurities.



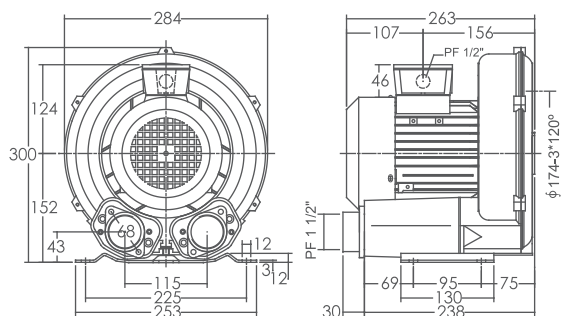
### Product Information:

Code	Model	Diameter A (mm)	Length B (mm)	Height C (mm)	Diameter D (mm)	Length E (mm)	Length F (mm)	Inlet Flange N1 GB (mm)	Outlet Flange N2 GB (mm)	Capacity (m <sup>3</sup> /h)
9210413	MER150-100S	565	965	992	440	310	593	150	100	123
9210412	MER200-150S	565	985	1124	440	354	705	200	150	192
9210411	MER250-200S	615	990	1271	490	468	837	250	200	301
9210410	MER300-200S	615	990	1271	490	468	837	300	200	447

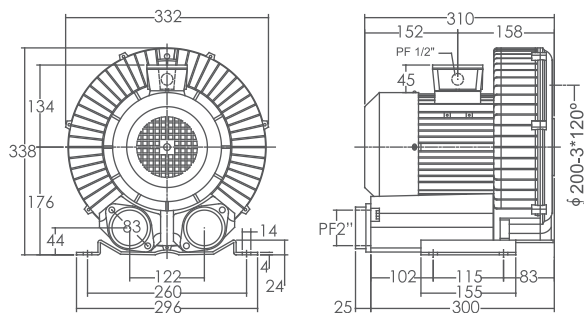
# Air Blowers

For both commercial and portable spa

## HB Series Commercial Air Blower



HB10 & HB15



HB20



## CREATE BUBBLE STREAM TO YOUR POOL

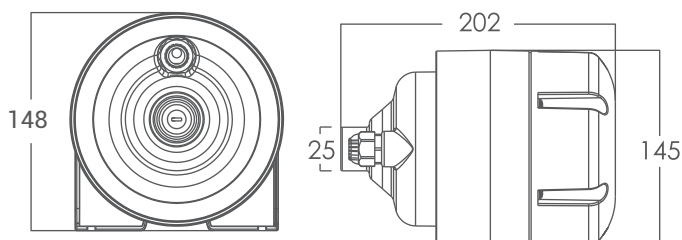
1. Continuous duty rating with quality motors
2. Blowers are CE certified and can be customized for any application
3. High-temperature designs for up to 50°C
4. Assorted coatings and platings for corrosive environments
5. Available for 50Hz and 60Hz

Code 220V/50Hz	Model	Rated Output (kW)	Voltage (V)	Current (A)	Voltage (V)	Current (A)	Max Volume (m <sup>3</sup> /min)	Noise (dB)	Weight (kg)	Static Pressure Vacuum Compressor (mbar)	Relief Value (Pressure) (Type)	Suction Filter
88080304	HB10	0.75	110-120	11	220-240	5.5	2.4	63	16.5	140/160	01*1 /01*1	MF12
88080305	HB15	1.1	----	--	220-240	7.0	2.4	63	16.5	160/190	01*1 /01*1	MF12
88080306	HB20	1.5	----	--	220-240	10	3.6	70	26	180/190	01*1 /01*1	MF16

## AB Series Economy Air Blower

AB Series Air Blower can be used for bath tubs or spa tubs

Code 220V/50-60Hz	Code 110V/50-60Hz	Model	Power (W)
88080201	88080101	AB350	350W
88080202	88080102	AB450	450W
88080203	88080103	AB550	550W



# Pump Control Box

Suitable for pool & spa pump

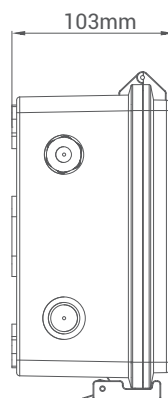
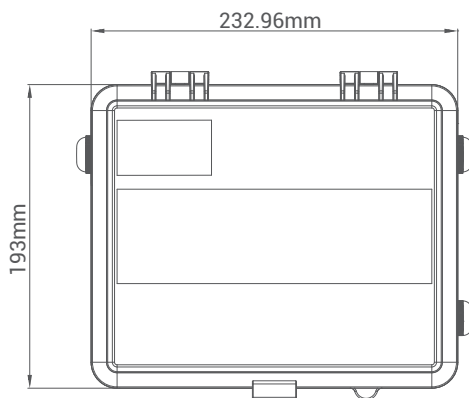
AN EASY TO USE,  
FULLY FEATURED  
CONTROLLER

- manual and timer modes
- flexible control and safety protection



## Product Information:

Code	Model	Description
88330101	KZD2200	Pump Control Box 2.2kW / 220V - 50Hz / 60Hz - AC
88330201	KZD2200	Pump Control Box 2.2kW / 110V - 50Hz / 60Hz - AC



## Product Features:

1. Maximum load of 2.2kW with power indicator
2. Made from durable ABS material
3. Suitable for pool & spa pump
4. Electrical overload & leakage protection
5. Manual mode and timer modes for controlling the operation time
6. Weatherproof: IP65 rating suitable for outdoor use







# DISINFECTION SYSTEMS

## KEEPING POOL WATER IN PERFECT CONDITION

---

Emaux cares about the healthy conditions in swimming pools and provides various safer, more cost-effective, and environmentally friendly alternatives to traditional chlorination such as Salt Chlorinators, UV disinfection, and Ozone products. Proper disinfection is needed to maintain the visual clarity of water and to prevent the transmission of disease.



# SSCone Salt Chlorinator

For residential and semi-commercial pools



Titanium cell with 2 meters cable



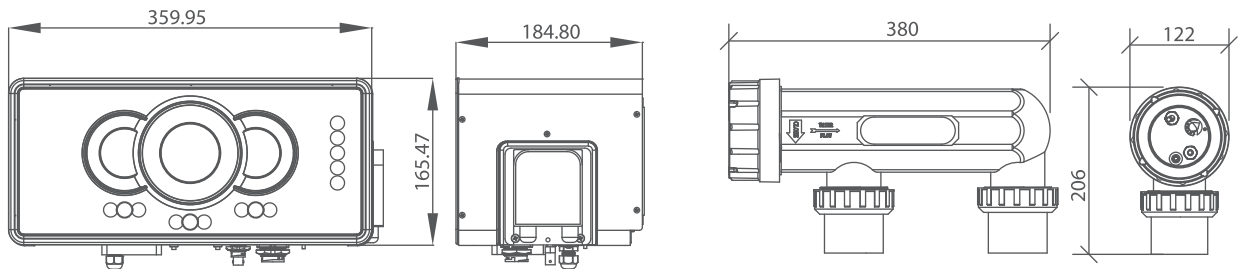
## Product Features

1. Timer for pump and programmable cell control.
2. Direct power function.
3. Boost button for super chlorination at 100% power for 24 hours.
4. Visual pH reading, and easy set-up.
5. Capacitive touch buttons control panel.
6. Switch reverse polarity at every 4 or 8 or 12 hours to minimise cell scaling depending on water hardness.
7. Fully automatic or manual operation.
8. Winter mode reduces power to 50%.

## AUTOMATIC SALT CHLORINATOR WITH PH CONTROL & DOSING

Salt chlorinated pools are among the best to enjoy and offer comfortable bathing, but such systems tend to raise pH. The Emaux SSC-one takes the guesswork out of adding the chemicals: its dosing pump injects acid to automatically maintain the correct pH level, and its cell takes care of the chlorine production. Programmed automatically and using the best quality of salt, no harmful by-products are produced. One of the most technically advanced and user friendly salt water chlorinators on the market.

## Product Dimensions



## Technical Information

Code	Model	Input Voltage/ Frequency	Salt Level	Cell Output	Maximum Pool Size	Cell Connections
88380803	SSCone	220-240V / 50-60Hz	2500ppm	Up to 50gr/hr	Up to 150,000 Liters	1.5" / 50mm or 2" / 63mm

## One-Touch Multi-Functional Chlorinator

### 1 A. INNOVATIVE TOUCH PANEL

- Intuitive and visual touch panel with LED indications

### B. INTELLIGENT ALERT

- No flow detection
- Low salt alarm
- Cell lifetime alarm
- High heat sink temperature alarm
- pH dosing error



### 2 INTUITIVE MODES

- Automatic or manual mode
- Switch the polarity according to the water hardness
- Winter mode

### 3 POWER

- Visual and easy reading power output
- Control the chlorine production
- Boost button, sets the system in super chlorination, 100% power for 24 hours

### 4 TIME

- Easy and intuitive operating system
- Timer for pump and cell programming control
- Two different schedules per day

### 5 PH

- Visual pH reading, and easy set-up.
- Two different indications: current pH and set point
- Automatic control of the pH dosing pump

## Accessories



pH probe



pH Buffer

# Superior SSC Series Salt Chlorinator

For residential and semi-commercial pools



## NEEDS MINIMUM MAINTENANCE

The Superior SSC represents a significant product upgrade that consolidates many years of design and user experience with salt chlorination. The power supply controller arrives in a fresh and modern design offering a more user-friendly interface together with advanced system protection programs to deal with a wide variety of operating environments. The Superior SSC is an ultimate robust and reliable salt chlorinator for residential pools and semi-commercial pools.

### Product Features

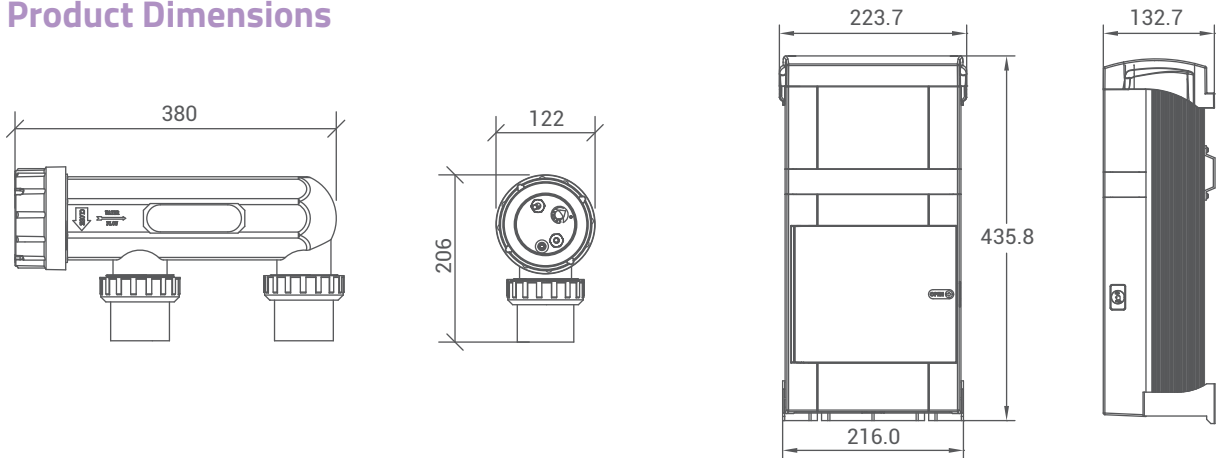
1. Three models for different pool sizes: 15, 25, 45g/hr
2. Improved user interface and system status indication
3. Adopts higher operation temperature with upgraded electronic components
4. Programmed for high-temperature protection to prevent system overheating due to high salt level or high ambient temperature
5. Monitors and controls cell output current to prevent overloading and temperature rise
6. Simple display of error messages for easy service:
  - Controller overheating
  - The thermal sensor cable is disconnected
  - AC line fault or fuse is broken.
7. Self-cleaning reverse polarity
8. Quality titanium cells
9. Models with time clock and/or pool light transformer is available



Titanium cell with 2 meters cable



## Product Dimensions

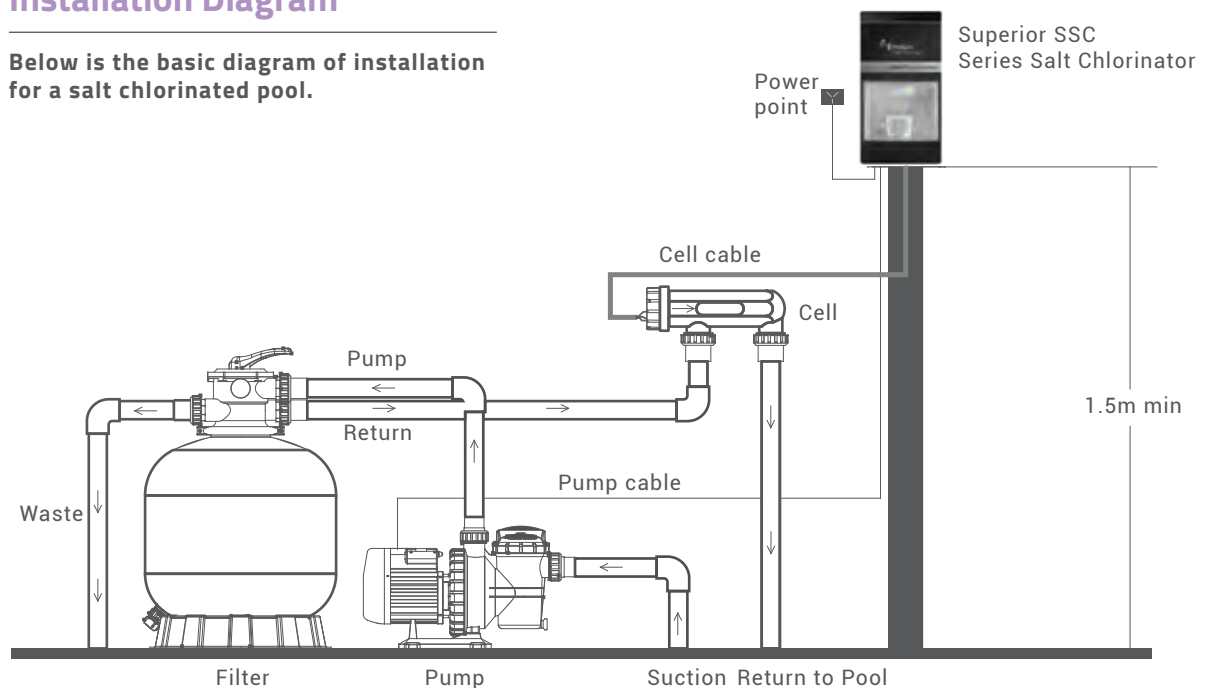


## Technical Information

Code 220V/50Hz	Model	Description	Salt Level (ppm)	Cell Output (gram/h)	Fiberglass Pool(L)	Concrete Pool(L)	Pool Light Voltage	Input Voltage /Freq	IP Rating
9130016	SUC15-E	Standard Version	3000-4000	15	50,000	45,000	N/A	240V 50/60Hz	IPX4
9130014	SUC25-E		3000-4000	25	75,000	70,000			
9130019	SUC50-E		4000-5000	45	120,000	110,000			
9130017	SUC15-T	With Time Clock	3000-4000	15	50,000	45,000	N/A	240V 50/60Hz	IPX4
9130015	SUC25-T		3000-4000	25	75,000	70,000			
9130020	SUC50-T		4000-5000	45	120,000	110,000			
9130018	SUC15-TLT	With Time Clock & Pool Light Transformer	3000-4000	15	50,000	45,000	12V AC	240V 50/60Hz	IPX4
9130013	SUC25-TLT		3000-4000	25	75,000	70,000			

## Installation Diagram

Below is the basic diagram of installation for a salt chlorinated pool.



# SSC Series Salt Chlorinator

For residential and semi-commercial pools

## Advantages

Safe and environmentally friendly:

**Relaxation:** Your pool is automatically disinfected

**Safety:** Significant reduction in the need to store and handle chlorine

**Health and well-being:** Saltwater does not irritate the eyes and dries out skin



RoHS  
COMPLIANT  
2002/95/EC

SAA

## VARIOUS MODELS FOR DIFFERENT SIZE OF POOL

Salt chlorination is a method of sanitizing swimming pools with chlorine generated by electrolysis. The electrolysis is achieved by passing the saltwater solution through a weak electric charge in an electrolytic cell, which converts sodium chloride (salt) in the water into chlorine gas. The gas is dissolved in the water and becomes sodium hypochlorite (liquid chlorine).

## Technical Information

Code 220V/50Hz	Model	Description	Salt Level (ppm)	Cell Output (gram/h)	Fiberglass Pool (L)	Concrete Pool (L)	Pool Light Voltage	Input Voltage /Freq	IP Rating	Weight (kg)
88380601	SSC15-E	Standard Version	4000	15	50,000	45,000	N/A	240V 50/60Hz	IPX4	6.5
88380602	SSC25-E			25	75,000	70,000				7.4
88380603	SSC50-E			45	120,000	110,000				9.7
88380401	SSC15-T	With Time Clock	4000	15	50,000	45,000	N/A	240V 50/60Hz	IPX4	6.6
88380402	SSC25-T			25	75,000	70,000				7.5
88380403	SSC50-T			45	120,000	110,000				9.8
88380201	SSC15-TLT	With Time Clock & Pool Light Transformer	4000	15	50,000	45,000	12V AC	240V 50/60Hz	IPX4	8.4
88380202	SSC25-TLT			25	75,000	70,000				8.8



# SSCmini Salt Chlorinator

For modest residential pools

## SLEEK AND COMPACT DESIGN

SSC-mini Salt Chlorinator is designed for the residential pools up to 90,000 liters. Using the latest technology, SSC-mini combines an intuitive interface with robust components for extremely user friendly installation and operation. This maintenance free chlorinator represents the best value for money in the market.



### Features

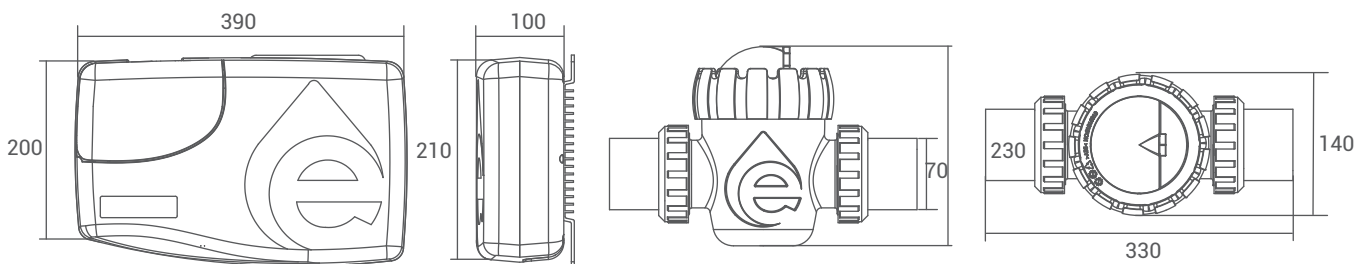
1. Easy to install, maintain and replace
2. Minimum piping modifications for existing installations
3. Maximum working pressure: 2.5 bar
4. Long cell lifetime and economical spare parts available
5. Perfectly suited for magnesium salted pools
6. Affordable spare part

### Cell composition

1. Titanium plates for a maximum chlorine production of 20 gram/h
2. Self-cleaning reverse polarity
3. Water flow and temperature sensors
4. Translucent casing with connections for 50 mm / 1 1/2" or 63 mm / 2" pipes



### Product Information



Code	Model	Input Voltage/ Frequency	Salt Level	Cell Output	Maximum Pool Size	Cell Connections
88380702	SSCmini	220-240V / 50-60Hz	4000ppm	20gr/hr	90,000 Liters	1.5" / 50mm or 2" / 63mm

# Ozo-Plus Ozone Generator

For pools & spas, water features, and biological filtration



Ozone Generator



Air Dryer

## System Features

1. Simple to install and easy to operate
2. Compact design suitable for installation in limited plant room space.

## STRONGEST DISINFECTANT AND OXIDISING AGENT

The Ozo-Plus is a very effective water disinfection and sanitation system, up to 3,000 times more powerful as a germicide than chlorine. Ozone not only can almost 100% kill of all bacteria, virus, and fungus in 0.05ppm without toxic residues, but also enhances the effectiveness of sand filter filtration to a crystal-clear water through direct oxidization and decomposition of organic waste. Ozone kills bacterial within 1-10 seconds by oxidative burst occurs over the cell wall during contact and cells die.

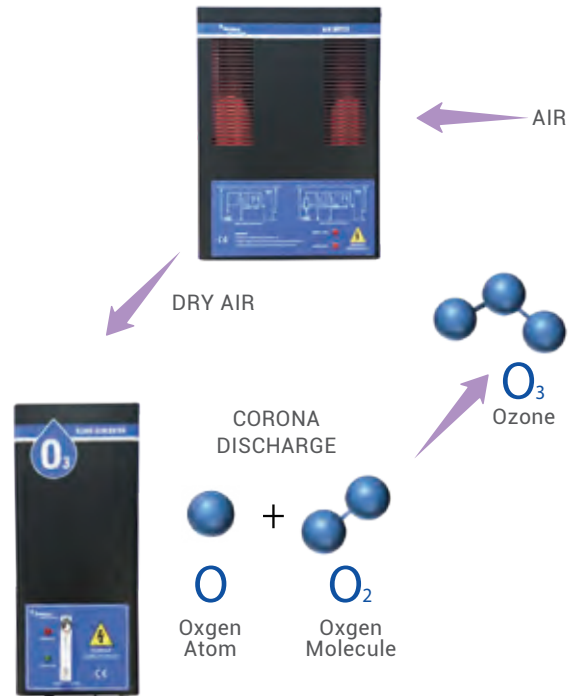
## How it works

The system consists of a corona discharge ozone generator and an automatic air dryer unit which can be used in combination to give ozone outputs from 4 – 8 g/h.

Ozone is produced when the air is passed over a ceramic dielectric ozone generating module containing a stainless steel electrode. The module is powered by a high voltage / high- frequency power board. Ozone is injected through a water-driven venturi, which ensures maximum safety against ozone gas leakage.

The air dryer unit contains twin desiccant dryer columns which are automatically heat regenerated controlled by a programmable relay system. When the air dryer system is used, the normal output of the generators is doubled.

## Ozone Formation

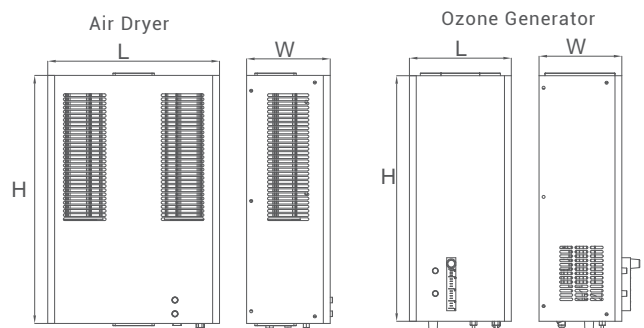


## Advantages of using ozone in pool

1. Reduces the use of chlorine or bromine by up to 90%
2. Highly effective against chlorine resistant pathogens, such as cryptosporidium & giardia
3. Reduces skin and eye irritation
4. Very low trihalomethanes levels
5. By flocculation effect, water clarity is significantly improved.

## Product Dimensions and Materials

1. Ozone Generator: mild steel epoxy coated cabinet
2. Cell: Ceramic Tube and 316SS Electrode
3. Air Dryer: mild steel epoxy coated cabinet
4. Dual desiccant array is designed to create negative pressure which is regenerated during heat exchange automatically.



Ozone Plus Model	L x W x H	
	mm	inch
Ozone Generator	260 x 180 x 540	9 x 7.1 x 21.3
Air Dryer	390 x 180 x 540	15.4 x 7.1 x 21.3

### Accessories:

Degassing system

## Product Information

Code	System Model	Ozone Generator Unit	Air Dryer Unit	Ozone Output (g/h)	Air Flow (l/m)	Ozone Concentration (mg/l)	Maximum Pool Volume (m <sup>3</sup> )
931135798	OZG-4G	1	1	4	10-15	3.5-4.5	200
931135799	OZG-8G	2	1	8	25-30	3.5-4.5	400

# Sacrificial Anode Shield

For pool and spa

## Main Features

1. Easy installation design by adding inline to existing 63mm/2" piping system
2. Excellent electric shock prevention in fiberglass pools
3. 4 Bar working pressure
4. Long life pure zinc alloy anode
5. 1m 8 AWG solid copper wire and transparent lid for inspection



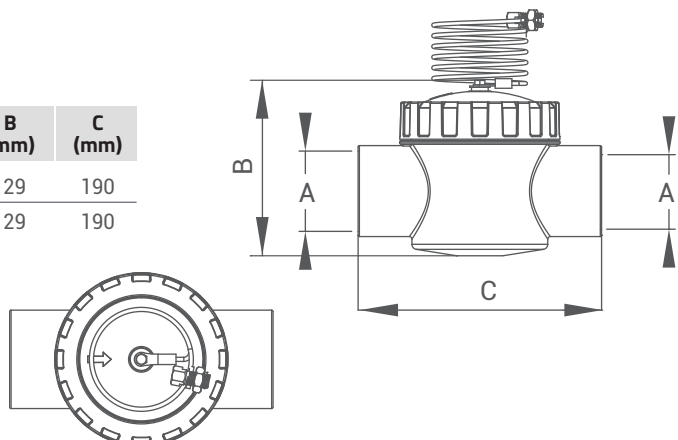
## PREVENT ELECTROLYTIC CORROSION OF POOL METAL

A zinc sacrificial anode provides a shield that protects bathers from the risk of electric shock, especially in fiberglass pools that lack metal bonding.

Equally, when saltwater chlorinator disinfection systems are used, it prevents electrolytic corrosion of metal pool parts such as stainless steel ladders, heat pump, heat exchangers, UV-C stainless steel casing, stainless steel lighting niches, and face rings, aluminum pump motor housings, and salt chlorinator titanium cell plates.

## Product Information

Code	Model	Housing Material	Connection	A (mm)	B (mm)	C (mm)
91602701	DF50-1(E)	ABS & PVC	63mm	Φ63	129	190
91602702	DF50-1(A)	ABS & PVC	2"	Φ60	129	190

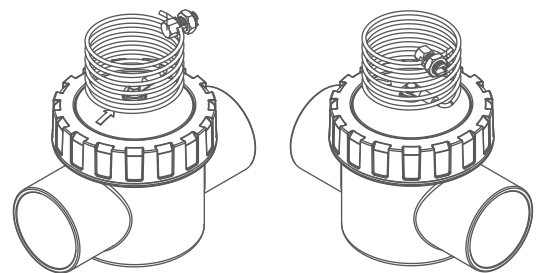


## How it works

1. Sacrificial Anode Shield is designed to prevent other metals from eroding. This inline zinc anode is already secured in a PVC TEE ready for installation.
2. Once installed, the sacrificial anode will be consumed, instead of erosion / corrosion to other metal components surrounding the pool such as aluminum, stainless steel, cast iron, copper, and titanium.
3. The Sacrificial Anode Shield is tied into the pool bonding wire to protect the entire pool.
4. The anode should be replaced after half of it has been eroded, typically in about three years.

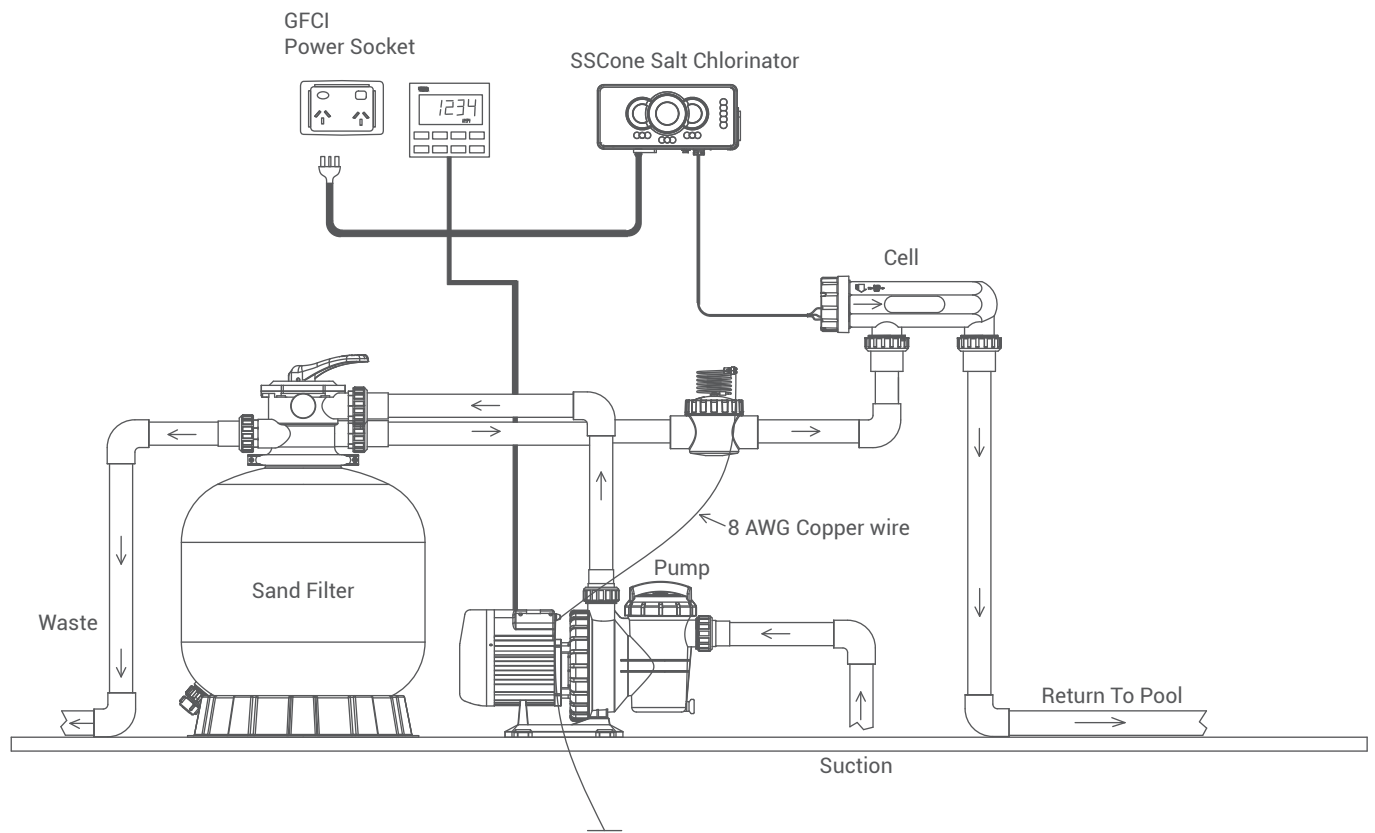
## How to install

1. Cut pipe to size of the "TEE" shape shield
2. Glue "TEE" into pipe
3. Connect Copper wire to existing pump ground using split connector



## Typical installation and location

The best location for installation of the shield is in the water pipe after the filter and before a pool heater, that would put it before the salt cell. Without a heater, the shield should be put after the filter and before the cell.



# Nano Tech UV-C Disinfection System

For above-ground and residential pools water disinfection

## 4 models of Nano Tech Series:



NanoTech UV-C Standard



NanoTech UV-C Timer



NanoTech UV-C  
With Amalgam Lamps and Flow Switch



NanoTech UV-C Ozone

### 1. NanoTech UV-C Standard

A non-chemical approach to water sanitization, precise and compact design, top performance.

### 2. NanoTech UV-C Timer

Standard model with a built-in timer to monitor UV lamp operating hours.

### 3. NanoTech UV-C With Amalgam Lamps and Flow Switch

The amalgam lamp offers virtually constant disinfection performance by its resistance to temperature fluctuations. A flow switch is included to cut off the power when overheating.

### 4. NanoTech UV-C Ozone

Enhance disinfection performance by combining UV-C technology with ozone production.

## NanoTech UV-C ADVANTAGES

### 1. USER-FRIENDLY

Easy installation and maintenance. The optional timer can control the running operation hours

### 2. STRONG AND DURABLE

Robust housing in AISI 316 Stainless Steel for anti-corrosion long life. Professional quality UV lamp offers a life time over 9,000 (to 12,000) hours.

### 3. HIGH EFFICIENCY

The mirror-polished interior of the housing increases the UV reflection rate and thus enhances the work efficiency by up to 35%.

### 4. HIGH TRANSMISSION

High-quality quartz sleeve ensures nearly 100% transmission of UV-C at 254nm. It offers protection against air and water flow, breakage, and temperature fluctuations.

Robust  
Housing

Mirror-  
Polished  
Interior

Quartz  
Sleeve

### 5. ENVIRONMENTAL-FRIENDLY

It reduces the chlorine consumption of up to 70%. Also water renewal is reduced due to fewer by-products formed

### 6. BETTER PROTECTION

The disinfected water is free of unpleasant smells and does not irritate the eyes, because of the significant reduction the number of chloramines. No risk of allergies, and your pool is protected against pathogenic organisms and algae.



RoHS  
COMPLIANT  
2002/95/EC

SAA

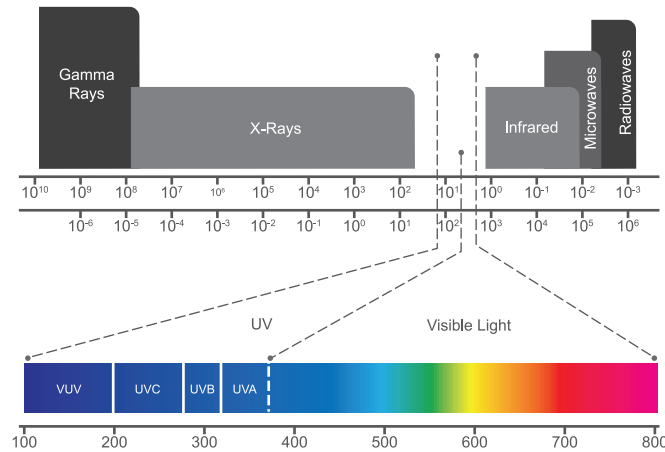


## Advantages of using UV-C for water disinfection

At a wavelength of 253.7nm, UV-C light is a very powerful germicide. It deactivates the DNA of bacteria, viruses and other pathogens, destroying their ability to multiply and cause disease.

Ultraviolet technology is a non-chemical approach to pool disinfection. In this method of disinfection, nothing is added which makes this process simple, inexpensive and requiring very low maintenance.

UV-C light is become increasingly favoured by the pool industry for its ability to break down and remove chloramines, which cause eye, skin and nose irritation, and breathing difficulties.



## Nano Tech UV-C Standard

These UV systems combine all the benefits listed above in a very compact design. Another advantage is that the lamps are single ended and can be easily replaced.

### Main Applications

1. Residential swimming pools
2. Fish ponds
3. Drinking water



Code 230V	Code 120V	Model	Max.Flow Rate (m <sup>3</sup> /h)	Pool Vol (m <sup>3</sup> )	Input Power	Max. Pressure	Connections	Electric Ballast	Max. Current (A)	UV Lamp lifetime (hr.)
88049015	88049115	NT-UV16	7	15	16W	3 bar	1.5"/50mm or 2"/63mm	120-240V AC 50-60Hz	0.29	9,000
88049016	88049116	NT-UV40	20	40	40W	3 bar	1.5"/50mm or 2"/63mm	120-240V AC 50-60Hz	0.29	9,000
88049006	88049106	NT-UV75	25	75	75W	3 bar	1.5"/50mm or 2"/63mm	120-240V AC 50-60Hz	0.57	9,000



## Nano Tech UV-C Timer

Emaux Nano Tech UV-C Timer includes an integrated TIMER which accurately monitors the operating hours of the UV-C lamp. You will be reminded when the lamp must be replaced.

### Advantages of built-in timer

1. User-friendly control pad with time clock digital display
2. Built-in adjustable timer for the UV-C lamp
3. Digital alert when the lamp needs replacing

Note : "T" stands for Timer

Code 230V	Code 120V	Model	Max.Flow Rate (m <sup>3</sup> /h)	Pool Vol (m <sup>3</sup> )	Input Power	Max. Pressure	Connections	Electric Ballast	Max. Current (A)	UV Lamp lifetime (hr.)
88049026	88049126	NT-UV40-T	20	40	40W	3 bar	1.5"/50mm or 2"/63mm	120-240V AC	0.44(120V) 0.2(240V)	9,000
88049027	88049127	NT-UV75-T	25	75	75W	3 bar	1.5"/50mm or 2"/63mm	120-240V AC	0.82(120V) 0.38(240V)	9,000

## Nano Tech UV-C With Amalgam Lamps and Flow Switch

Operating between low and medium pressure UV applications, NanoTech amalgam achieves a high relative power density operating in a broad temperature range. The amalgam version includes a flow switch which will cut-off the lamp power to protect the system from over-heating when the water flow is lower than required. Due to a special coating technology, NanoTech guarantees a continued performance of 85% after 12,000 hours operating in a broad temperature range. A timer version is available as an option.

### Main Applications

1. Drinking water system
2. Waste water system
3. Process water treatment unit
4. Swimming pool & spa

Note : "F" stands for Flowswitch, "T" stands for Timer

Code 230V	Model	Max.Flow Rate (m <sup>3</sup> /h)	Pool Vol (m <sup>3</sup> )	Input Power	Max. Pressure	Connections	Electric Ballast	Max. Current (A)	UV Lamp lifetime (hr.)
88049029	NT-UV130F	30	130	130W	3 bar	1.5"/50mm or 2"/63mm	240V AC	0.95	12,000
88049030	NT-UV130TF	30	130	130W	3 bar	1.5"/50mm or 2"/63mm	240V AC	0.95	12,000





# Nano Tech UV-C Ozone

Emaux Nano Tech UV-C Ozone combines UV-C technology with ozone production ensuring fresh and healthy pool water with the minimum use of chlorine.

## Advantages

1. Built-in electronic pre-selector ensure a smooth power supply
2. Up to 35% more UV-C yield as a result of reflection
3. Reduces use of chlorine by up to 80%
4. Ozone UV-C lamp life 9,000 hours
5. Built-in timer for the UV-C lamp
6. Digital alert when the lamp needs replacing

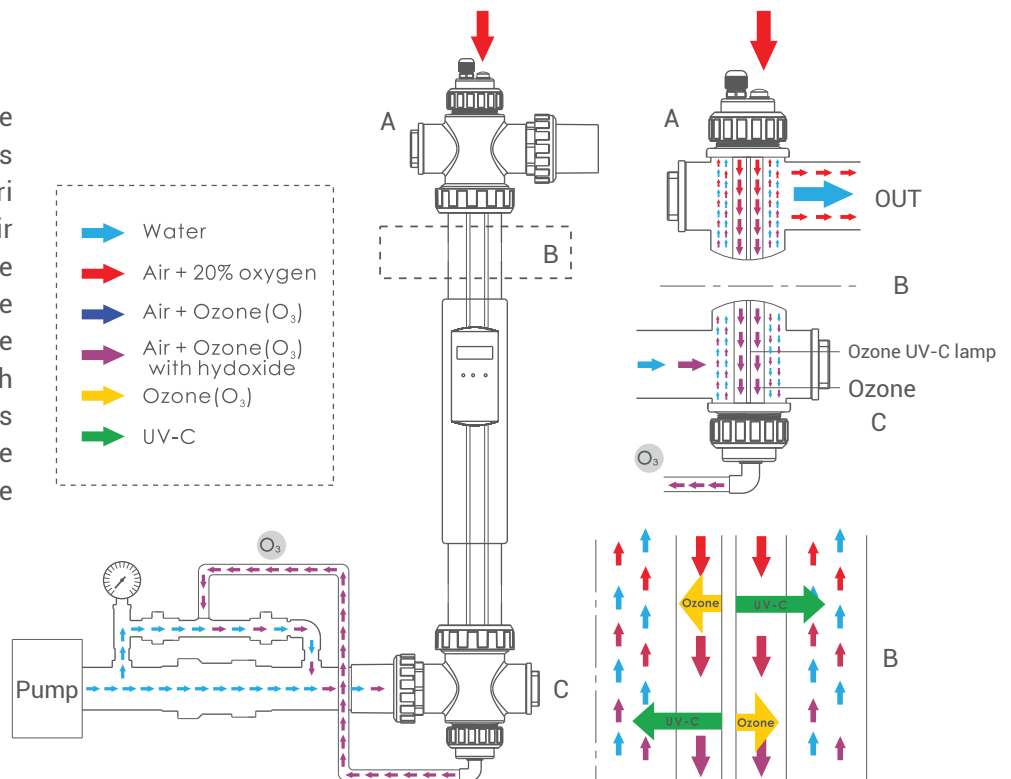


Note : 'O' stands for Ozone, "T" stands for Timer

Code 230V	Model	Max Flow Rate (m <sup>3</sup> /h)	Pool Vol (m <sup>3</sup> )	Input Power	Maximum Pressure	Cell Connections	Electric Ballast	Max Current (A)	UV Lamp lifetime (hr.)
88049032	NT-UV87-T0	25	90	87W	3 bar	1.5"/50mm or 2"/63mm	240V AC 50-60Hz	0.5	9000

## UV-C Ozone Operation

The water is pumped into the unit through the reactor. Air is drawn through the venturi system into the unit via the air injector and flows through the quartz glass and the ozone UV-C lamp. The air enters the lamp and is charged with ozone molecules, then passes through the ball valve to be mixed with the water in the reactor.



# Nano Tech MPUV Disinfection System

For commercial water disinfection and chloramine reduction



## Main Characteristics

1. Easy to install with in-line vessel design
2. Higher UV efficiency
3. Typical UVT is 90% at 60 mJ/cm<sup>2</sup>
4. Lower power consumption

## Main Features

1. Substantial reduction in chloramines
2. Medium pressure UV lamps for maximum oxidation
3. Microprocessor control with data logging
4. Connects to building management systems
5. Automatic "Smartdrive" wiper system as standard
6. Simple lamp replacement
7. 316 L Stainless steel reactor vessel

## LOW COST HIGH UV EFFICIENCY

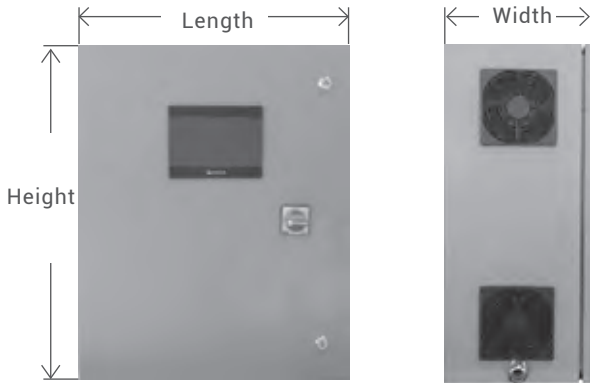
The NT-MPUV series of medium pressure ultraviolet units is designed for easy installation. The system provides a cost effective solution for disinfection and chloramine reduction in commercial pools.

Medium pressure UV systems are highly effective against highly infectious *Cryptosporidium parvum* and *Giardia lamblia* species which can exist in swimming pool water. These are virtually unaffected by the levels of chlorine used to sanitise swimming pools. As a direct result of its interaction with pollutants, the chlorine in a pool produces chloramines which cause eye and skin irritation and unpleasant odours.

Medium pressure UV systems reduce the side effects and produce a vastly improved water quality and atmospheric environment.

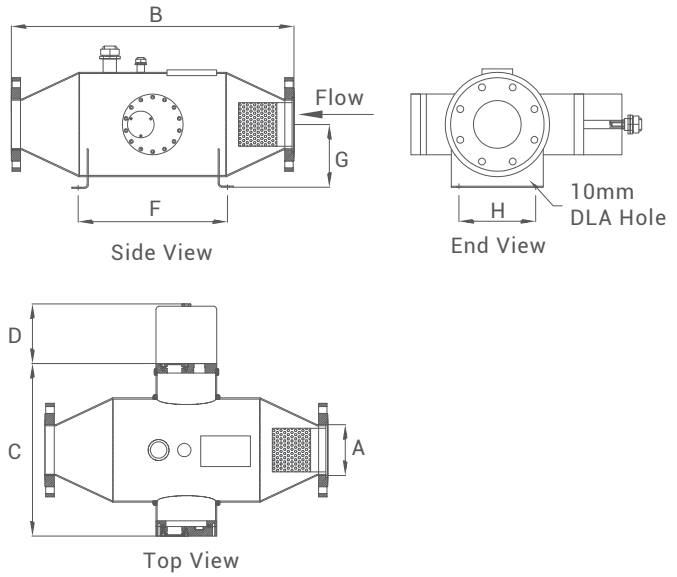
## Technical Information and Dimensions:

### Controller

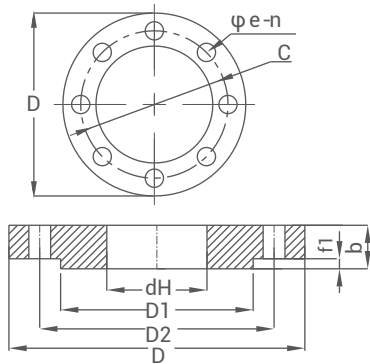


Note: UV intensity  $\text{mJ}/\text{cm}^2$  requires a 4-20mA signal from a water flow rate measuring device (not supplied)

### Reactor



### Flange



DN	Model	D (mm)	D2 (mm)	$\phi$ e-n	Bolt Specification	D1 (mm)	dH (mm)	f1 (mm)	b (mm)
DN80	3"	200	160	18-8	M16	132	90.5	2	20
DN100	4"	220	180	19-8	M16	156	116	2	22
DN150	6"	285	240	22-8	M20	211	170.5	2	24
DN200	8"	340	295	22-8	M20	266	221.5	2	24
DN250	10"	395	350	22-12	M20	319	276.5	2	26

HG-20592 PN 1.0 Mpa Standard flange size

\*Supply rating must be specified with order

Code	Model	Connection	Flow Rate		Lamp Power (kW)	Supply Rating (V/ph/Hz)	Control Panel Dimension mm (LxWxH)	Reactor Dimensions (mm/inch)						
			m <sup>3</sup> /h	US gpm				A	B	C	D	F	G	H
931135873(220V) 931137883(380V)	NT-MPUV40	DN80	40	175	1.0	200-240/1/50-60 360-380/3/50-60	600x300x600	80/3.0	740/29.1	422/16.6	195/7.7	300/11.8	200/7.9	170/6.7
931135874(220V) 931137884(380V)	NT-MPUV60	DN100	60	264	1.5	200-240/1/50-60 360-380/3/50-60	600x300x700	100/4.0	740/29.1	422/16.6	195/7.7	300/11.8	200/7.9	170/6.7
931135875(220V) 931137885(380V)	NT-MPUV105	DN150	105	460	2.0	200-240/1/50-60 360-380/3/50-60	600x300x700	150/6.0	800/31.5	422/16.6	195/7.7	400/15.7	200/7.9	170/6.7
931135876(220V) 931137886(380V)	NT-MPUV145	DN150	145	640	2.5	200-240/1/50-60 360-380/3/50-60	600x300x700	150/6.0	820/32.3	585/23	195/7.7	400/15.7	275/10.8	250/9.8
931135877(220V) 931137887(380V)	NT-MPUV170	DN150	170	750	3.0	200-240/1/50-60 360-380/3/50-60	600x300x700	150/6.0	820/32.3	585/23	195/7.7	400/15.7	275/10.8	250/9.8
931135878(220V) 931137821(380V)	NT-MPUV220	DN200	220	970	2x2.0=4.0	200-240/1/50-60 360-380/3/50-60	700x300x1100	200/8.0	890/35.0	422/16.6	195/7.7	450/17.7	225/8.8	250/9.8
931135879(220V) 931137822(380V)	NT-MPUV300	DN200	300	1320	2x2.5=5.0	200-240/1/50-60 360-380/3/50-60	700x300x1100	200/8.0	890/35.0	585/23	195/7.7	450/17.7	275/10.8	330/13
931135880(220V) 931137823(380V)	NT-MPUV355	DN250	355	1560	2x3.0=6.0	200-240/1/50-60 360-380/3/50-60	700x300x1100	250/10.0	890/35.0	585/23	195/7.7	450/17.7	275/10.8	330/13
931135881(220V) 931137824(380V)	NT-MPUV415	DN250	415	1825	2x3.5=7.0	200-240/1/50-60 360-380/3/50-60	700x300x1100	250/10.0	890/35.0	585/23	195/7.7	450/17.7	275/10.8	330/13

# MEDIUM-PRESSURE (MP) AND LOW-PRESSURE (LP) UV LAMP

A medium-pressure (MP) UV lamp (400w-10000W) has higher sterilization efficiency and shorter sterilization time than a low-pressure (LP) lamp (below 320W).

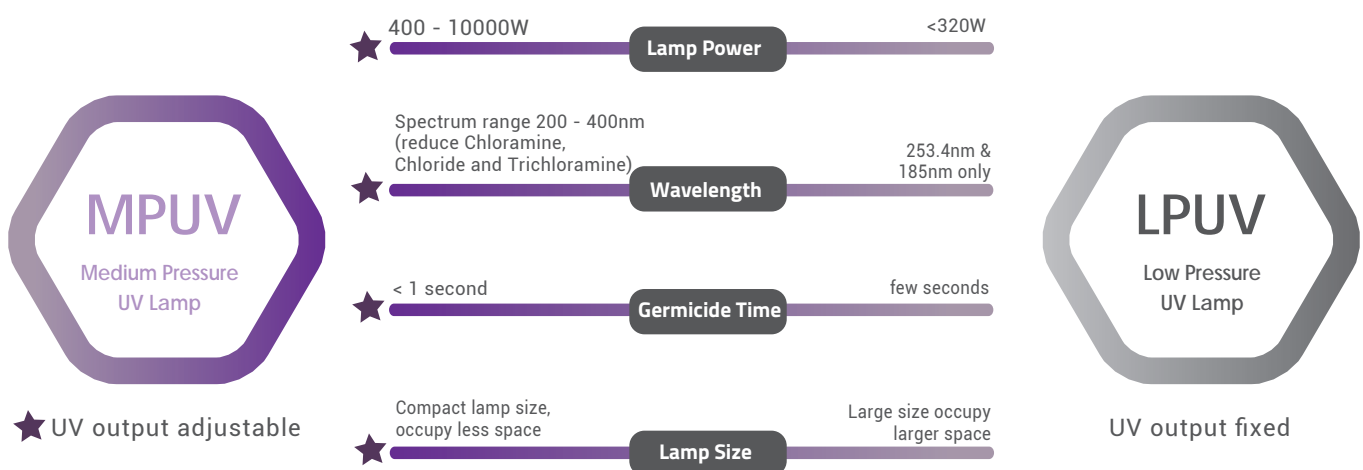
MPUV lamp has wider wavelengths, illumination in the range of 200–400 nm, and is effective for the removal of bacteria, viruses, chloramines, chlorides, and trichloramine. So they are suitable for use in public swimming pools. The low-pressure UV lamp can only emit a single wavelength at 254 nm, limiting the field of use.

Also, the MPUV lamp greatly reduces the size of the UV reactor and the number of UV lamps used, so the volume is relatively small. In contrast, low-pressure (LP) UV lamps are longer in size as wattage increases, so a slightly higher power low-pressure UV system needs more place.

The control system of the MPUV lamp can automatically adjust the energy of the UV output, while that of the LPUV lamp cannot.

## MP vs LP UV Lamp Comparison:

MPUV lamp has wider wavelengths, illumination in the range of 200–400 nm, and is effective for the removal of bacteria, viruses, chloramines, chlorides, and trichloramine



# FOS Series UV-C Disinfection System

For fish ponds and aquaculture



## ACHIEVE UP TO 98% STERILIZATION RATE

FOS series UV-C disinfection system effectively destroys bacteria and other microbes that pass through the ultra-violet illuminated tube resulting in bacteria-free and purified water for your fish pond.

1. High-quality UV-C lamp achieves up to 98% sterilization rate
2. Long-life UV-C lamp has a long lifespan over 10,000 hours
3. High-quality quartz tube provides more than 99% transmittance rate

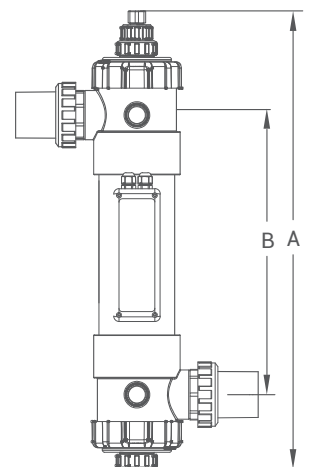
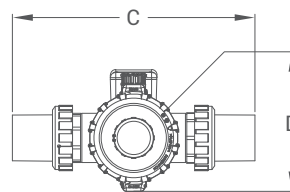
### Product Information

Code	Model	Flow rate (m <sup>3</sup> /h)	Fish Pond (m <sup>3</sup> )	Input Power (W)	Connection
88046317	FOS-UV-5T	4	5	15	1.5"/ 50mm or 2" / 63mm
88046318	FOS-UV-7T	6	7	25	1.5"/ 50mm or 2" / 63mm
88046319	FOS-UV-8T	8	8	30	1.5"/ 50mm or 2" / 63mm
88046320	FOS-UV-14T	10	14	55	1.5"/ 50mm or 2" / 63mm

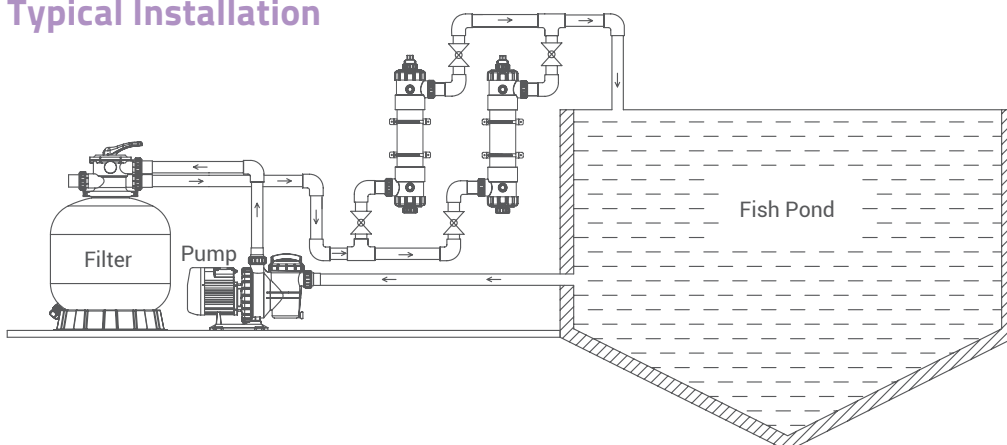
Model	A (mm)	B (mm)	C (mm)	D (mm)
FOS-UV-5T	694	431	180	166
FOS-UV-7T	694	431	180	166
FOS-UV-8T	1144	881	180	166
FOS-UV-14T	1144	881	180	166

### Product Features

1. Adjustable brackets for easy and flexible installation
2. Available in 50Hz or 60Hz with 220V
3. Four models 15W, 25W, 30W and 55W for fish pond volumes up to 14m<sup>3</sup>



### Typical Installation

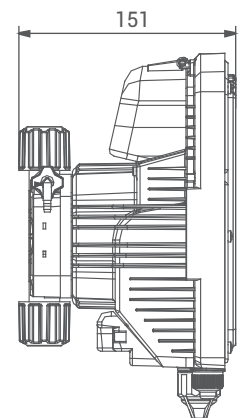
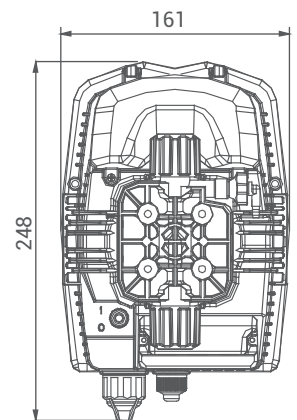


# CTRL Series Solenoid Driven Metering Pump

For measurement of the PH, Redox / ORP value

CTRL4/CTRL7/  
CTRL20-PH/ORP

CTRL4/CTRL7/CTRL20



## HIGH-ACCURACY AUTOMATIC DOSING / MANUAL DOSING

CTRL4/CTRL7/CTRL20-PH/ORP has an automatic monitoring system that measures the PH value and Redox / ORP value of water through the relative voltage of probes and injects the chemicals to the required set-point. Digital metering pump with pH/Redox control meter on board. Adjustable manual control with proportional dosing flow rate for correct pH & Redox management.

CTRL4/CTRL7/CTRL20 series has a compact, clean design, easy to install and operate. Unlike the above models, it requires adjusting the chemical dosing manually.

### Main Features

1. 16-word dual-line LCD screen, full working status
2. Display automatic recording and storage
3. 2 options: a) Built-in pH/ORP monitor or b) Dosing only
4. Pump flow control is automatically determined according to monitor pH / ORP value
5. PH, ORP, flow and other automatic/manual calibration
6. Level gauge input interface, low level alarm
7. Flow meter input telematic control
8. Password protection

Code	Model	Pressure (bar)	Max Flow/Hour (l/h)	Stroke Capacity (cc/stroke)	Connection Size in/out (mm)	Frequency max (stroke/min)
9318658	CTRL4	12	4	0.42	4 / 6	160
		10	5	0.52	4 / 6	160
88490405	CTRL4-PH	12	4	0.42	4 / 6	160
		10	5	0.52	4 / 6	160
88490406	CTRL4-ORP	8	6	0.63	4 / 6	160
		2	8	0.83	4 / 6	160
9318659	CTRL7	12	7	0.38	4 / 6	300
		10	10	0.55	4 / 6	300
88490505	CTRL7-PH	12	7	0.36	4 / 6	320
		10	10	0.52	4 / 6	320
88490506	CTRL7-ORP	5	15	0.78	4 / 6	320
		1	18	0.99	4 / 6	320
9318660	CTRL20	5	20	1.11	8 / 12	300
		4	32	1.78	8 / 12	300
88490605	CTRL20-PH	5	20	1.11	8 / 12	300
		4	25	1.39	8 / 12	300
88490606	CTRL20-ORP	2	38	2.11	8 / 12	300
		0.1	54	3	8 / 12	300



## WT500 Series

### Dual Parameter Water Quality Monitor

T500 series water quality monitor can simultaneously measure pH & ORP value by a built-in dual parameter. It automatically controls the chemical dosage when partnered with the CTRL4/CTRL7/CTRL20 dosing pump.

<b>Model:</b>	WT500PR
<b>Code:</b>	9318661
<b>Measuring Range:</b>	pH 0-14.0 & ORP 0-1500mV
<b>Applicable pool area:</b>	Standard Pool
<b>Diaplay:</b>	Double line LCD
<b>Input Voltage/Frequency:</b>	220-240Vac 50/60Hz
<b>Size:</b>	234X162X108mm
<b>Meterial:</b>	PP
<b>Waterproof Standard:</b>	Ip65
<b>Installation:</b>	Wall mounted
<b>Standard Accessories:</b>	pH probe/ORP probe/Calibration solution/Probe mounting connector

#### Highlight Features:

1. Simple and convenient parameter setting
2. Timed proportional dosing(PWM function)
3. Remote alarm relay
4. LCD diaplay
5. 4-20mA current output (isolated)

## Working Features

The dosing pump is activated by a PTFE membrane mounted on a piston and electromagnet. When the piston is attracted by the electromagnet, pressure is produced in the pump body and the liquid is expelled from the discharge valve. Once the electric impulse is finished a spring brings the piston back to the initial position, with a recall of liquid through the suction valve.

LED indicators on the control panel monitor the dosing pump by electronic micro-control technology. Easy operation without lubrication, makes it almost maintenance free.

Note: The CTRL series of dosing pumps is based on an electronic micro-controller, strong and reliable components manage the pH or ORP parameters.



## Probe and Accessories Specifications

Code	Product Name	Parameter	Photo
87990300	pH probe	Pressure: 7bar Material: epoxy resin Measuring range: 0-14 (With 6m signal line) Electrode diameter: 12mm (Includes probe holder)	
87990301	ORP probe	Pressure: 7bar Material: epoxy resin Measuring range: 1200mV (With 6m signal line) Electrode diameter: ± 12mm (Includes probe holder)	
87990302	pH probe buffer solution	2 bottles of buffer solution of pH (pH4.00 and pH7.00) +1 bottle for buffering	
87990303	ORP probe buffer solution	1 bottle of ORP buffer solution (465mV) for 50ml bottle	
87990306	Dosing pipe fittings for CTRL4/ 7	Pressure: 7bar Material: PVC Screw size: 1/2"	
87990304	Dosing pipe fittings for CTRL20	The maximum resistance at: 60	
87990305	Fixing Accessories	Vertical base and wall mounting accessories	

# Chemical Feeder

For residential and commercial pools

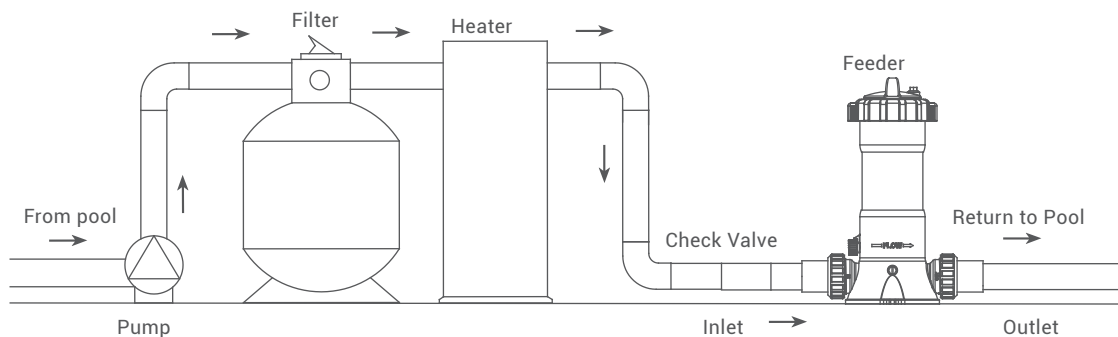
## MAINTAINS CHLORINE LEVEL AUTOMATICALLY

Emaux high capacity feeders offer a user-friendly solution for sanitizing large residential and commercial swimming pools using either chlorine or bromine tablets. They are heavy duty and able to provide automatic sanitization for pools up to 608,000 liters. Both in-line and off-line plumbing installations are available in 2 sizes.

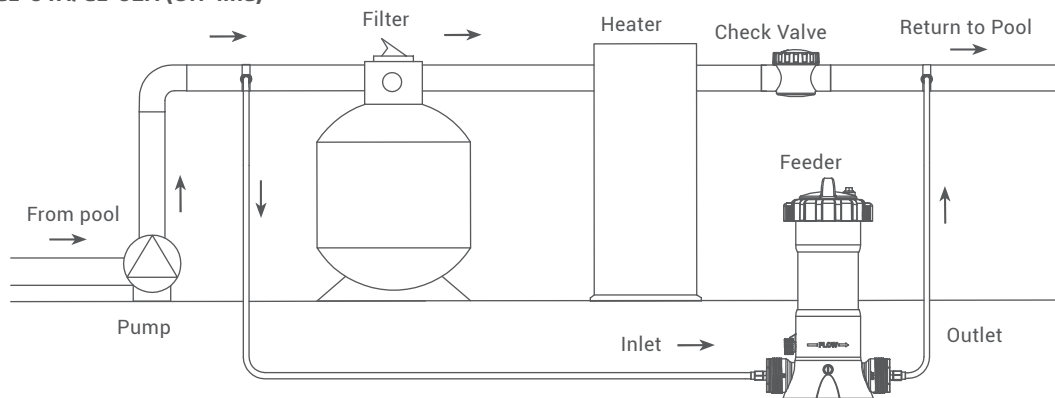


### Installation

#### 1. Model: CL-01/CL-02/CLL-50/CLL-75 (In-line)



#### 2. Model: CL-01A/CL-02A (Off-line)





Treats pool / spa size (Unit: Litre, in a period of 24 hours)

**MODEL:  
CL-01 & CL-02 (In-line)**



MODEL: CL-01 (In-line)  
10 ppm ----- 25000L pool  
5 ppm ----- 50000L pool  
2.5ppm ----- 100000L pool

MODEL: CL-02 (In-line)  
10 ppm ----- 27000L pool  
5 ppm ----- 54000L pool  
2.5ppm ----- 108000L pool

**MODEL:  
CL-01A & CL-02A (Off-line)**



MODEL: CL-01 A (Off-line)  
10 ppm ----- 45000L pool  
5 ppm ----- 90000L pool  
2.5ppm ----- 180000L pool

MODEL: CL-02A (Off-line)  
10 ppm ----- 49000L pool  
5 ppm ----- 98000L pool  
2.5ppm ----- 196000L pool

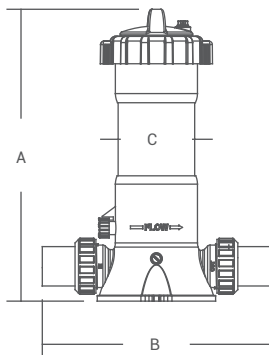
**MODEL:  
CLL-50 & CLL-75**



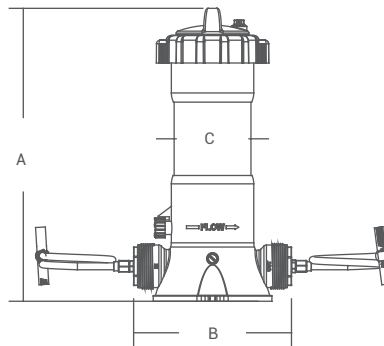
MODEL: CLL-50 (In-line)  
10 ppm ----- 95000L pool  
5 ppm ----- 190000L pool  
2.5ppm ----- 380000L pool

MODEL: CLL-75 (In-line)  
10 ppm ----- 152000L pool  
5 ppm ----- 304000L pool  
2.5ppm ----- 608000L pool

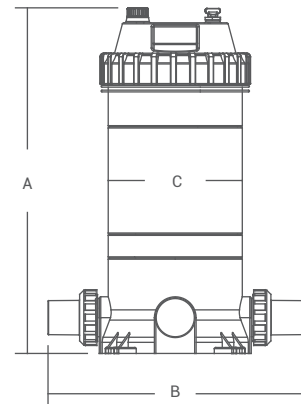
## Product Dimensions and Technical Information



Model: CL-01 & CL-02 (In-line)



Model: CL-01A & CL-02A (Off-line)



Model: CLL50 & CLL-75

Code	Model	Chlorine Tablet Specification	Quantity (pc)	Total Weight (kg)	Valve Connection	A (mm)	B (mm)	C (mm)
88440207	CL-01	Ø30x16mm/pc Ø76x26mm/pc	102 11	2	1.5" 50mm	420	330	110
88440217	CL-02	Ø30x16mm/pc Ø76x26mm/pc	198 22	4	1.5" 50mm	705	330	110
88440208	CL-01A	Ø30x16mm/pc Ø76x26mm/pc	102 11	2	- 10mm	420	230	110
88440218	CL-02A	Ø30x16mm/pc Ø76x26mm/pc	198 22	4	- 10mm	705	230	110
88440302	CLL-50	Ø30x16mm/pc Ø76x26mm/pc	300 32	6	1.5" 50mm	580	440	225
88440303	CLL-75	Ø30x16mm/pc Ø76x26mm/pc	550 50	11	1.5" 50mm	760	440	225

This feeder can ONLY be used with slow-dissolving Tri-Chlor.

Do NOT mix with other type of chlorine or chemical, otherwise, it may cause an explosion or fire.



# UNDERWATER LIGHTING

## CREATING VIVID EFFECTS

---

Underwater Lighting is not only attractive and safe for using a pool at night time, but will also help create a captivating and unforgettable atmosphere by providing extra ambience in your pool and garden. Emaux manufactures a very large range of models including flat type and housing type halogen lights, and LED lights that produce cool white, warm white, color and color-changing effects. Our models can be installed in new pools or as an easy retrofit for many existing systems for pools, spas, fountains, water features, and pool gardens.



# E-Lumen X Series Underwater Light

Synchronize color settings of 2 zones by ColorTouch Control System

e-Lumen X



Product Video

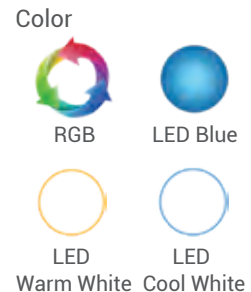


Waterproof Standard  
**IP68**

Cable  
**2.5m**

Installation  
Concrete Wall Mount / Retrofit  
Concrete Niche / Fiberglass / Vinyl Pool

Material  
Plastic ABS/Stainless Steel/Transparent



## TRUE COLOR RGB WITH WARM WHITE AND COOL WHITE LED

1. The light incorporates five basic colors of LED chips: cool white, warm white, red-green-blue (RGB), with high power and constant color rendering over time and temperature.
2. Equipped with state-of-the-art LED technology, E-Lumen X ensures increased energy and luminous efficacy achieving 80 lumens per watt.
3. LED life exceeds 40,000 hours.
4. Equipped with state-of-the-art LED technology, E-Lumen X ensures increased energy and luminous efficacy achieving 80 lumens per watt. The innovative design of the diffusion lens and bulb matrix provides exceptional reflection, brightness, throw, and angle of illumination.
5. The perforations on the face ring contribute to the light intensity and angle of illumination by allowing a light penetration throughout.
6. Self determined operation mode with or without ColorTouch controller.
7. Automatic color synchronization among lights and zone.

# E-LUMEN X - "QUARTZ" SERIES

For all types of pools



## EMAUX ICONIC WALL-MOUNTED HIGH POWER LED LIGHT

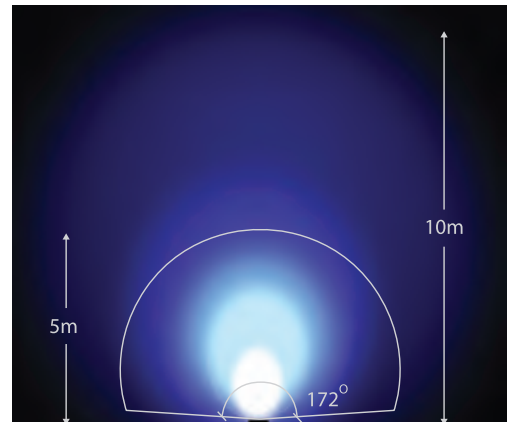
QUARTZ wall-mounted light offers a perfect solution for any pool installations. Its easy mounting kit enables instant installations of new build pools or retro-fit. The retro-fit version is designed to adapt your existing wiring and power and upgrade your pool with fabulous lighting effects under high energy efficiency.

### Product Information

Code	Description	Face Ring
9042601	QUARTZ Light 12~32V AC 50/60Hz	White
9042602	QUARTZ Light 12~32V AC 50/60Hz	Grey
9042603	QUARTZ Light 12~32V AC 50/60Hz	Blue
9042604	QUARTZ Light 12~32V AC 50/60Hz	Stainless Steel
9042605	QUARTZ Light 12~32V AC 50/60Hz	Transparent

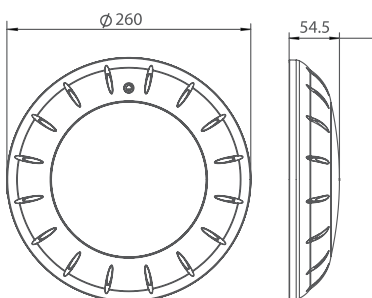
Pool Light Protection Rating : IP68 to 2m depth  
Power Consumption :25W

Color	Operation Voltage	illuminance (Lux)	Color Temperature
Cool White	12~32V AC 50/60Hz	350	6500K
Warm White	12~32V AC 50/60Hz	325	3000K



Angle and distance of illumination

### Product Dimensions



### Face Ring Color Options



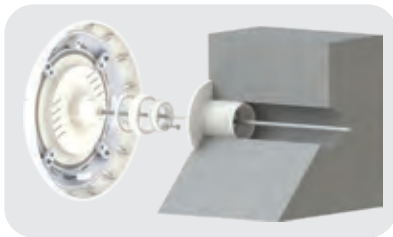
# E-LUMEN X - "QUARTZ (EM)" SERIES

For installation with inlet nozzles

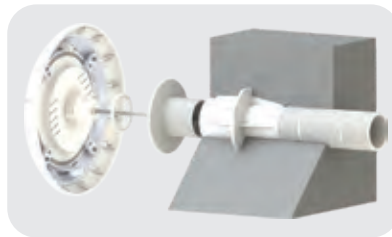


## HIGH ADAPTABLE WALL-CONDUIT POOL LIGHT

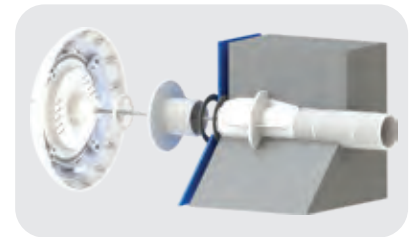
The Quartz (EM) lights has the same advanced features as E-Lumen X. The inlet nozzle screw-in design for wall conduit and fitting is adaptable for different pool installation options.



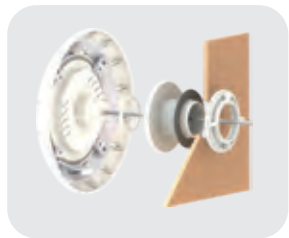
Concrete Pool



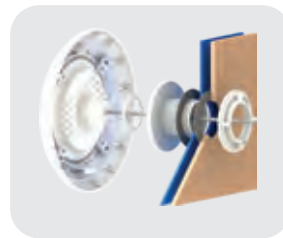
Concrete Pool with Conduit



Concrete Pool+Liner



Vinyl Pool Fiberglass Pool



Panel Pool Timber Pool

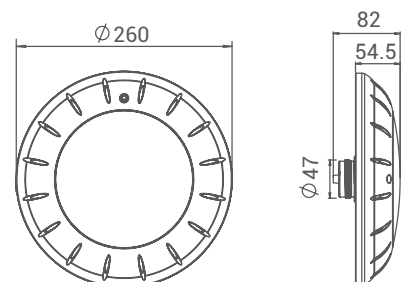
## Wall conduit and fitting accessory for pool type:

Concrete Pool with 1.5" PVC Pipe	Concrete Pool with Conduit	Concrete pool with Liner	Vinyl / Fiberglass	Panel / Timber
EM2831	EM2831	EM2831	EM2836	EM2836
	EM2841	EM2841		
	EM2842	EM2842		

## Product Dimensions and Technical Information

Code	Description	Face Ring
9042606	Quartz (EM) Light 12-32V AC 50/60Hz	White
9042607	Quartz (EM) Light 12-32V AC 50/60Hz	Grey
9042608	Quartz (EM) Light 12-32V AC 50/60Hz	Blue
9042609	Quartz (EM) Light 12-32V AC 50/60Hz	Stainless Steel
9042610	Quartz (EM) Light 12-32V AC 50/60Hz	Transparent

## Dimensions(mm):



# E-LUMEN X- "ZIRCON" SERIES

For concrete pool with niche or fiberglass pool installation



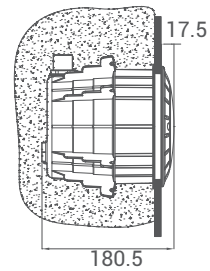
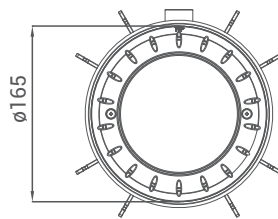
## HIGH ILLUMINATION COMPACT POOL LIGHT

ZIRCON is a powerful 25W LED light engineered for concrete and fiberglass pools. The niche or the locknut design provides ease and flexibility enabling a quality installation.

### Concrete Pool Niche



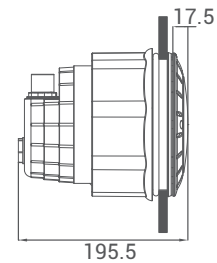
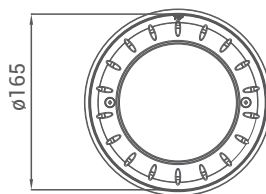
ZIR25-C



### Fiberglass Pool Nut



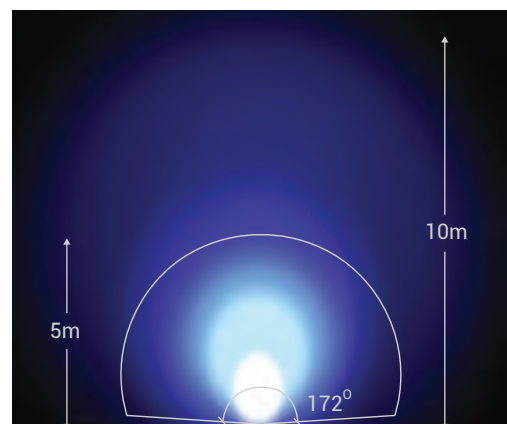
ZIR25-V



## Product Information

Zircon Light 12Vac 50/60Hz, Power cord length with retrofit connector: 2.5m

Code	Model	Maximum Power	illumination (Lux)	Color Temperature
9042801	ZIR25-C	25W	350 (Cool White) 325 (Warm White)	6500K 3000K
9042802	ZIR25-V	25W	350 (Cool White) 325 (Warm White)	6500K 3000K



Angle and distance of illumination

# E-LUMEN X - "Eagle Eye" SERIES **NEW**

A fine design light for residential Pool and Spa

## ULTRA SLIM FIT NICHELESS LED POOL LIGHT

EAGLE EYE is a slim, high efficiency LED light with a powerful 18W output. The nicheless design allows for installation in 1.5 inch/50mm PVC pipes, suction fittings, or wall conduits. An easy-change lens cover provides a handy option for switching lighting effects.



### Advantages:

#### Innovative convection design

Eagle eye allocates the innovative technologies of convection design. The faster the heat transfer, the longer it will last.

#### The flexibility of smaller size

Eagle eye is only 190mm (7½") in length, which can fit into the narrowest pool walls, providing flexibility for every masterpiece design.

#### Long operational lifespan

LED life exceeds 9,000 hours.

#### Ultimate glowing

The diffuser lens offers a wide angle and distance of illumination.

#### Multi-installation mechanisms

Designed for installation with PVC pipes, suction fittings, and wall conduits and adaptable for different pool types.

#### Wireless color change

Compatible with Emaux Colortouch remote control system for direct change: color, lighting effect and brightness level.

#### Friendly accessories

A protective cover plus two lens covers are included. Lens covers are specifically designed for the Eagle eye to eliminate reflective shadows and halos on the pool floor, which helps to keep bright lights out of swimmers' eyes in shallow areas.

Material

PC + ABS

Operation Voltage

12V AC

Power

18W

Cable Length

7ft / 50ft / 100ft / 150ft  
2.5m / 15m / 30m / 45m

Waterproof Standard

IP68

Color



RGB



LED

Warm White



LED

Cool White



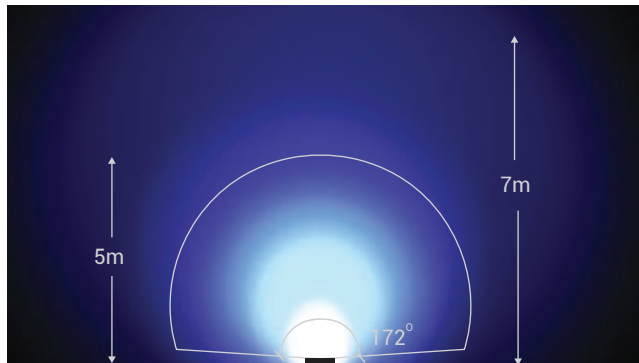
## Lens Covers



Eagle Eye



Half Moon

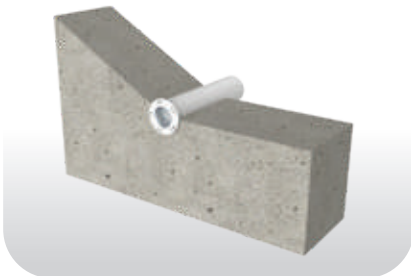


Angle and distance of illumination

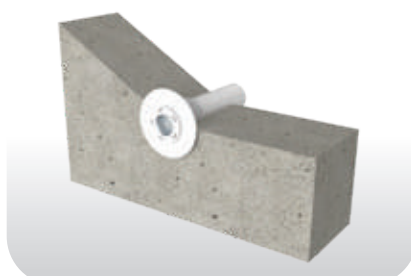
## Product Information:

Code	Model	Cable Length	Description	Illuminance
9043001	EAG18	7/50/100/150 ft 2.5/15/30/45 m	Eagle Eye Nicheless LED Light 2White+RGB, 18W / 12V AC	278 Lux

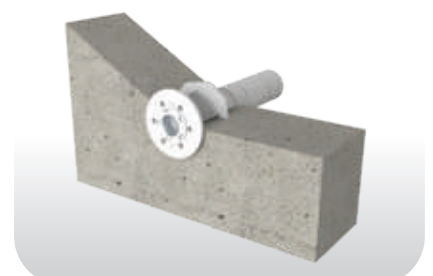
## Installations:



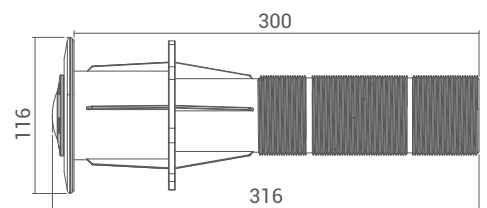
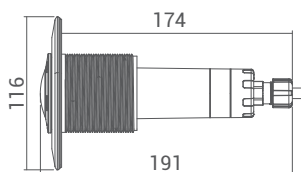
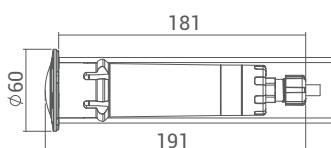
1.5" PVC Pipe



Suction Fittings



Conduits



# E-LUMEN X- "TOPAZ" SERIES

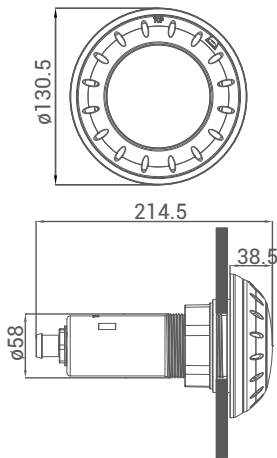
For concrete pools with niche, fiberglass pools, and vinyl liner pools installations



## SLIM FIT LED LIGHT FOR MULTI-INSTALLATION

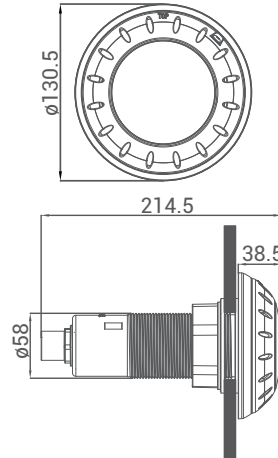
TOPAZ is a compact and powerful 13W LED light. Its slim construction and multi-installation mechanisms allow it to be fitted into pools and spas of any dimensions, providing a superb lighting effect.

Vinyl Pool



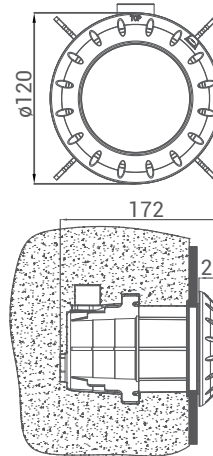
TOP13-VS

Fiberglass Pool



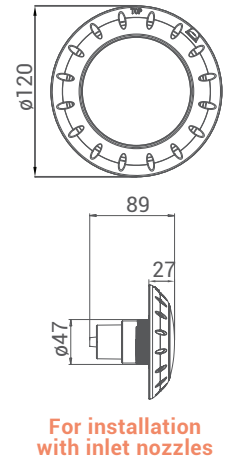
TOP13-VL

Concrete Pool



TOP13-C

Concrete Pool



For installation with inlet nozzles

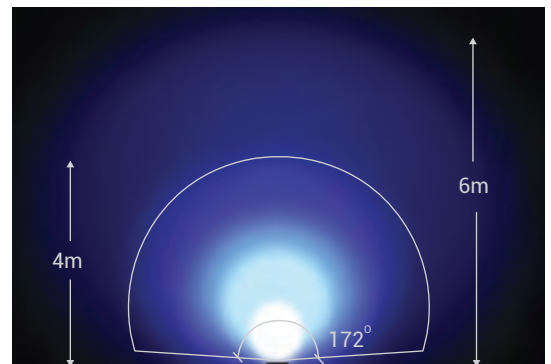
TOP13-EM



## Product Information

TOPAZ light 12Vac 50/60Hz, Power cord length with retrofit connector: 2.5m

Code	Model	Maximum Power	illuminance (Lux)	Color Temperature
9042701	TOP13-C	13W	220 (Warm White)	3000K
9042702	TOP13-VL	13W		
9042703	TOP13-VS	13W	200 (Cool White)	6500K
9042704	TOP13-EM	13W		



Angle and distance of illumination

# COLORTOUCH LIGHT CONTROL BOX

For E-Lumen X Series Underwater Lights



ColorTouch System controls color changes of two pools at the same time.

## Features

1. ColorTouch control box not only supports all E-Lumen X series lamp with direct color change and brightness adjustment, but also supports E-lumen ON/OFF switch type for changing lamp color.
2. Provides direct light color change and two zones synchronized color control.
3. By using the existing two-core wires and 12Vac power system. ColorTouch becomes an ideal choice for most pool retrofit and refurbishment projects.
4. Waterproof Standard IP44.
5. The hand-held remote-controller which is compact, user-friendly and water resist. It operates up to 50m in open area.
6. One-touch light effect selection feature though remote-controller: 7 different colors, auto-color changing, and 3 brightness level selection.

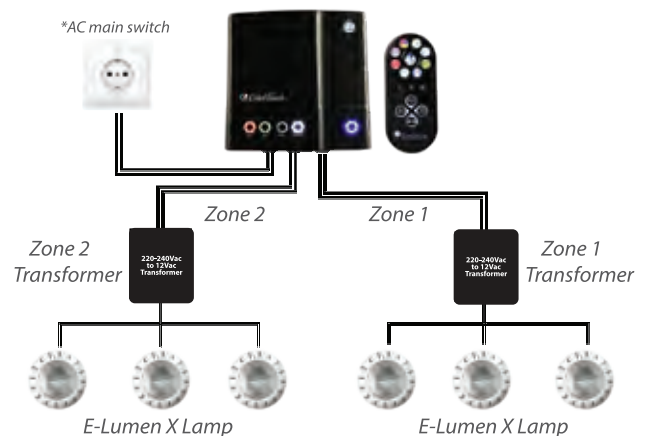
### (Wi-Fi version only)

7. Wi-Fi version provides all control features as remote controller over smartphone though Apps.
8. Easy to use - Connect Wi-Fi, open Colortouch Apps (Android only) and use.
9. The Apps can show current color controlling by Colortouch on your smartphone.

Code	Model	Description
9110901	ColorTouch	ColorTouch Control Box 220V with Touch Remote
9110904	ColorTouch	ColorTouch Control Box 110-220V with Touch Remote & Wi-Fi (Android only)

## Synchronize color settings of 2 zones by ColorTouch Control System

1. ColorTouch control system can control different modes of lighting in two separate zones at the same time.
2. Each zone can support pool light fixture upto 300VA.
3. Simple one-touch button can instantly synchronize both zones.



# E-Lumen Series Underwater Light

Incorporating E-Lumen Ultra-Thin LED Panels



## A PROMISING CHOICE OF PROFESSIONAL UNDERWATER LIGHT

E-lumen Lights offer 100% resin-filled waterproof and extra-long lifetime - 25,000 hours (10 times longer than traditional halogen bulbs). Unlike other LED lights, the Ultra-Thin LED panel keeps working even if a single LED bulb goes out.

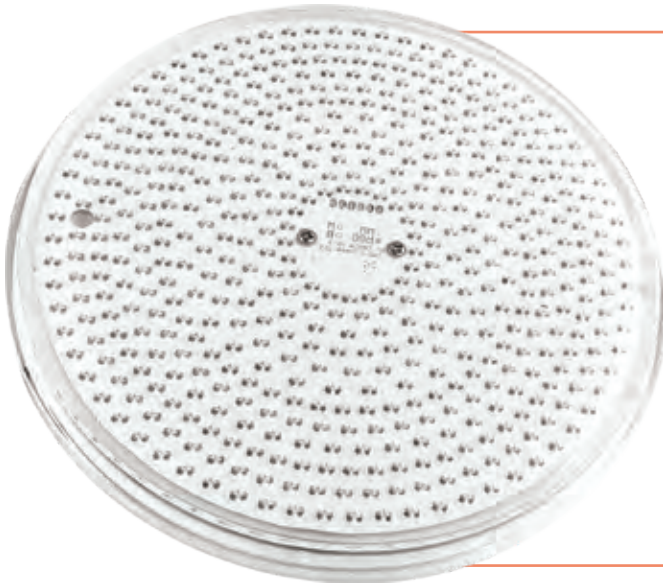
The cool-operating feature provides more brightness for fewer watts, compared to other lights in which 90% of the energy is wasted on the heat they generate.

Simple bolt fixing fittings are provided to replace the PAR56 type of pool and spa underwater lights. The LED Panel is compatible with most of the European & American niches. An optional remote control box is available.

### E-Lumen Series Underwater Lighting Effects

1. E-Lumen Ultra-Thin LED panels are available in RGB (red-green-blue), warm white, cool white, and single blue.
2. RGB models feature six brilliant rich colors to customise the mood of the pool with owner preferences, and eight pre-programmed color light shows delivering dazzling rainbow and smooth fading effects.

# E-LUMEN ULTRA-THIN LED PANEL



## Most Energy And Luminous Efficiency

The Ultra-Thin LED panel is based on the most recent LED development on the market, and uses the most efficient energy and illumination technology. The convenient plug-n-play panel kit replaces most of the underwater lights on the market. By only unscrewing few bolts of your old and energy costly light bulb and swapping it for the Ultra-Thin LED Panel.



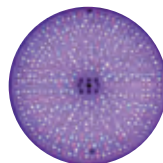
## Mounting Accessories



For E-Lumen

For EL-NP300

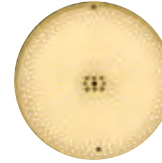
## Ultra-Thin 400 LED



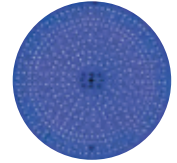
RGB



Cool White



Warm White



Blue

## Product Information

Code	Model	LED Bulb	Watt / Voltage	Illuminance (lux)	Color
89045529	UltraThin-200 LED	252 LEDs Bulb	20W/12V	450	Cool White (10000K)
89045528	UltraThin-200 LED	252 LEDs Bulb	20W/12V	535	Warm White (4000K)
89045531	UltraThin-200 LED	252 LEDs Bulb	20W/12V	64	Single Blue
89045530	UltraThin-200 LED	252 LEDs Bulb	20W/12V	220	RGB – 14 Modes
89045513	UltraThin-400 LED	441 LEDs Bulb	35W/12V	690	Cool White (10000K)
89045522	UltraThin-400 LED	441 LEDs Bulb	35W/12V	785	Warm White (4000K)
89045523	UltraThin-400 LED	441 LEDs Bulb	35W/12V	100	Single Blue
89045514	UltraThin-400 LED	441 LEDs Bulb	35W/12V	372	RGB – 14 Modes
89045526	UltraThin-500 LED	531 LEDs Bulb	50W/12V	795	Cool White (10000K)
89045524	UltraThin-500 LED	531 LEDs Bulb	50W/12V	805	Warm White (4000K)
89045525	UltraThin-500 LED	531 LEDs Bulb	50W/12V	222	Single Blue
89045527	UltraThin-500 LED	531 LEDs Bulb	50W/12V	434	RGB – 14 Modes

# E-LUMEN UNDERWATER LIGHT

Waterproof Standard

**IP68**

Cable

**2.5m**

Material

**ABS + UV Stabilizer**

Installation

**Wall Mounted (Flat Type)**

Color



RGB



LED Blue



LED Warm White



LED Cool White



**IP68** **CE** **RoHS COMPLIANT 2011/65/EU**

## PROFESSIONAL UNDERWATER LIGHT

Emaux's E-Lumen Underwater Light is the industrial leading Nicheless LED pool and spa light, designed to delivery brilliant and vibrant colors by a single light. The single color options maximize the brightness of your pool. The party themes run through your pool and spa by E-Lumen 6 brilliant rich colors and 8 colors pre-programmed light show. With the best LED technology, Nicheless E-Lumen mounts directly on the wall for simple installation. Only required few bolts, this is the most convenient choice for professional underwater light.

### Light Color:



Cool White (10000K)



RGB (14 modes)



Warm White (4000K)



Single Blue

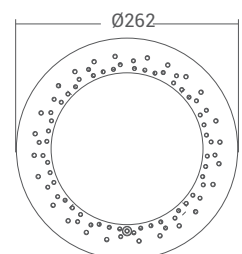
Simple installation



Mounting Bracket (Concrete Pool)



Mounting Plate (Vinyl Pool)



### E-Lumen Series Light Product Information

Code	Model	LED Bulb	Watt / Voltage	Illumiance (lux)	Color
88045560	E-Lumen-252	252 LEDs Bulb	20W/12V	346	Cool White (10000K)
88045561	E-Lumen-252	252 LEDs Bulb	20W/12V	415	Warm White (4000K)
88045565	E-Lumen-252	252 LEDs Bulb	20W/12V	52	Blue
88045559	E-Lumen-252	252 LEDs Bulb	20W/12V	166	RGB
88045555	E-Lumen-441	441 LEDs Bulb	35W/12V	550	Cool White (10000K)
88045558	E-Lumen-441	441 LEDs Bulb	35W/12V	613	Warm White (4000K)
88045566	E-Lumen-441	441 LEDs Bulb	35W/12V	78	Blue
88045554	E-Lumen-441	441 LEDs Bulb	35W/12V	273	RGB
88045563	E-Lumen-531	531 LEDs Bulb	50W/12V	608	Cool White (10000K)
88045564	E-Lumen-531	531 LEDs Bulb	50W/12V	634	Warm White (4000K)
88045567	E-Lumen-531	531 LEDs Bulb	50W/12V	158	Blue
88045562	E-Lumen-531	531 LEDs Bulb	50W/12V	316	RGB

# EL-NP300 SERIES UNDERWATER LIGHT

Waterproof Standard

**IP68**

Cable

**2.5m**

Material

**S.S. or Plastic Face Ring**

**Plastic housing**

Installation

**Wall Mounted (Housing Type)**

Color



RGB



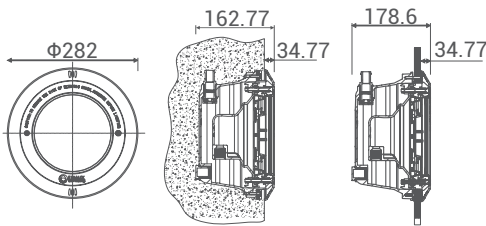
LED Blue



LED Warm White



LED Cool White



**IP68** **CE** **RoHS COMPLIANT 2011/65/EU**

## EL-NP300 Series Light Product Information

Code	Model	Face Ring	LED Bulb	Watt/ Voltage	Illumiance (lux)	Color
88045660	EL-NP300P-252	Plastic	252 LEDs Bulb	20W/12V	450	Cool White (10000K)
88045661	EL-NP300P-252	Plastic	252 LEDs Bulb	20W/12V	535	Warm White (4000K)
88045665	EL-NP300P-252	Plastic	252 LEDs Bulb	20W/12V	100	Single Blue
88045659	EL-NP300P-252	Plastic	252 LEDs Bulb	20W/12V	222	RGB – 14 Modes
88045760	EL-NP300S-252	S.S. AISI 304	252 LEDs Bulb	20W/12V	450	Cool White (10000K)
88045761	EL-NP300S-252	S.S. AISI 304	252 LEDs Bulb	20W/12V	535	Warm White (4000K)
88045765	EL-NP300S-252	S.S. AISI 304	252 LEDs Bulb	20W/12V	100	Single Blue
88045759	EL-NP300S-252	S.S. AISI 304	252 LEDs Bulb	20W/12V	222	RGB – 14 Modes
88045655	EL-NP300P-441	Plastic	441 LEDs Bulb	35W/12V	690	Cool White (10000K)
88045658	EL-NP300P-441	Plastic	441 LEDs Bulb	35W/12V	785	Warm White (4000K)
88045666	EL-NP300P-441	Plastic	441 LEDs Bulb	35W/12V	100	Single Blue
88045654	EL-NP300P-441	Plastic	441 LEDs Bulb	35W/12V	372	RGB – 14 Modes
88045755	EL-NP300S-441	S.S. AISI 304	441 LEDs Bulb	35W/12V	690	Cool White (10000K)
88045758	EL-NP300S-441	S.S. AISI 304	441 LEDs Bulb	35W/12V	785	Warm White (4000K)
88045766	EL-NP300S-441	S.S. AISI 304	441 LEDs Bulb	35W/12V	100	Single Blue
88045754	EL-NP300S-441	S.S. AISI 304	441 LEDs Bulb	35W/12V	372	RGB – 14 Modes
88045663	EL-NP300P-531	Plastic	531 LEDs Bulb	50W/12V	795	Cool White (10000K)
88045664	EL-NP300P-531	Plastic	531 LEDs Bulb	50W/12V	805	Warm White (4000K)
88045667	EL-NP300P-531	Plastic	531 LEDs Bulb	50W/12V	222	Single Blue
88045662	EL-NP300P-531	Plastic	531 LEDs Bulb	50W/12V	434	RGB – 14 Modes
88045763	EL-NP300S-531	S.S. AISI 304	531 LEDs Bulb	50W/12V	795	Cool White (10000K)
88045764	EL-NP300S-531	S.S. AISI 304	531 LEDs Bulb	50W/12V	805	Warm White (4000K)
88045767	EL-NP300S-531	S.S. AISI 304	531 LEDs Bulb	50W/12V	222	Single Blue
88045762	EL-NP300S-531	S.S. AISI 304	531 LEDs Bulb	50W/12V	434	RGB – 14 Modes

# EL-H200 SERIES UNDERWATER LIGHT

Waterproof Standard

**IP68**

Cable

**2.5m**

Material

**Stainless Steel Face Ring**

**Plastic Housing**

Installation

**Wall Mounted (Housing Type)**

Color



RGB



LED Blue



LED Warm White



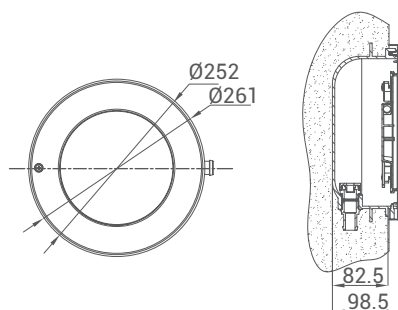
LED Cool White



**IP68**



**RoHS**  
COMPLIANT  
2011/65/EU



## THE SLIM NICHE FITS ANY POOL STRUCTURES

1. The E-Lumen Ultra Thin LED panel (Resin-filled) offers a smooth front but superior lighting effect.
2. The combination of the stainless steel face ring and the slim plastic niche achieves the simplicity yet elegance.
3. Slim niche fits any pool structure including thin concrete walls.

### EL-H200 Series Light Product Information

Code	Model	LED Bulb	Watt/ Voltage	Illuminance (lux)	Color
88046460	EL-H200-252	252 LEDs Bulb	20W/12V	450	Cool White (10000K)
88046461	EL-H200-252	252 LEDs Bulb	20W/12V	535	Warm White (4000K)
88046465	EL-H200-252	252 LEDs Bulb	20W/12V	64	Single Blue
88046459	EL-H200-252	252 LEDs Bulb	20W/12V	222	RGB – 14 Modes
88046455	EL-H200-441	441 LEDs Bulb	35W/12V	690	Cool White (10000K)
88046458	EL-H200-441	441 LEDs Bulb	35W/12V	785	Warm White (4000K)
88046466	EL-H200-441	441 LEDs Bulb	35W/12V	100	Single Blue
88046454	EL-H200-441	441 LEDs Bulb	35W/12V	372	RGB – 14 Modes
88046463	EL-H200-531	531 LEDs Bulb	50W/12V	795	Cool White (10000K)
88046464	EL-H200-531	531 LEDs Bulb	50W/12V	805	Warm White (4000K)
88046467	EL-H200-531	531 LEDs Bulb	50W/12V	222	Single Blue
88046462	EL-H200-531	531 LEDs Bulb	50W/12V	434	RGB – 14 Modes



# EL-S300 SERIES UNDERWATER LIGHT

Waterproof Standard

**IP68**

Cable

**2.5m**

Material

**Stainless Steel Face Ring**

**Stainless Steel Housing**

Installation

**Wall Mounted (Housing Type)**

Color



RGB



LED Blue



LED Warm White



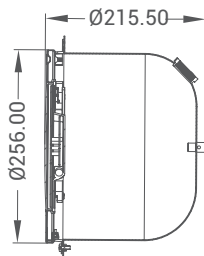
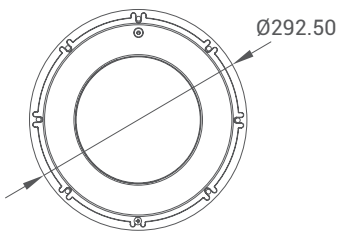
LED Cool White



**IP68**



**RoHS COMPLIANT 2011/65/EU**



## ROBUST AND NON-CORROSIVE HOUSING

1. E-Lumen Ultra Thin LED panel (Resin-filled).
2. Unique stainless steel niche design provides the highest intensity for long lifetime usage.
3. Simple installation.

## EL-S300 Series Light Product Information

Code	Model	LED Bulb	Watt/ Voltage	Illuminance (lux)	Color
88045860	EL-S300-252	252 LEDs Bulb	20W/12V	450	Cool White (10000k)
88045861	EL-S300-252	252 LEDs Bulb	20W/12V	535	Warm White (4000K)
88045865	EL-S300-252	252 LEDs Bulb	20W/12V	64	Single Blue
88045859	EL-S300-252	252 LEDs Bulb	20W/12V	220	RGB – 14 Modes
88045855	EL-S300-441	441 LEDs Bulb	35W/12V	690	Cool White (10000K)
88045858	EL-S300-441	441 LEDs Bulb	35W/12V	785	Warm White (4000K)
88045866	EL-S300-441	441 LEDs Bulb	35W/12V	100	Single Blue
88045854	EL-S300-441	441 LEDs Bulb	35W/12V	372	RGB – 14 Modes
88045863	EL-S300-531	531 LEDs Bulb	50W/12V	795	Cool White (10000K)
88045864	EL-S300-531	531 LEDs Bulb	50W/12V	805	Warm White (4000K)
88045867	EL-S300-531	531 LEDs Bulb	50W/12V	222	Single Blue
88045862	EL-S300-531	531 LEDs Bulb	50W/12V	434	RGB – 14 Modes

# EL-S100 SERIES UNDERWATER LIGHT

Waterproof Standard

**IP68**

Cable

**2.5m**

Material

**Stainless Steel Face Ring**

**Stainless Steel / Plastic Housing**

Installation

**Wall Mounted (Housing Type)**

Color



RGB



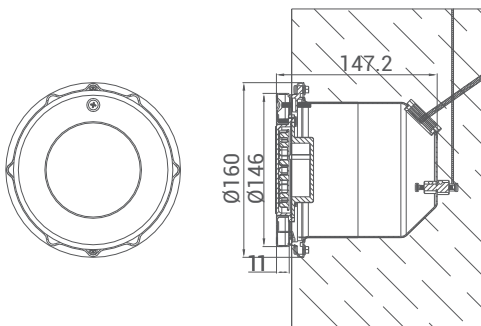
LED Blue



LED Warm White



LED Cool White



**DURABLE, ELEGANT AND EASY TO INSTALL**

1. E-Lumen Ultra Thin LED panel (Resin-filled).
2. High lamination low energy consumption.
3. Simple installation.
4. Various color options & pre-programmed lighting effects.

## EL-S100 Series Light Product Information

**IP68** **CE** **RoHS COMPLIANT 2011/65/EU**

Code	Model	LED Bulb	Housing	Watt/ Voltage	Color	Illuminance (lux)
9042501	EL-S100S	99 LEDs Bulb	with S.S. Housing	10W/12V	Cool White (10000K)	100
9042502	EL-S100S	99 LEDs Bulb	with S.S. Housing	10W/12V	RGB	50
9042503	EL-S100S	99 LEDs Bulb	with S.S. Housing	10W/12V	Warm White (4000K)	117
9042504	EL-S100S	99 LEDs Bulb	with S.S. Housing	10W/12V	Blue	33
9042505	EL-S100P	99 LEDs Bulb	with Plastic Housing	10W/12V	Cool White (10000K)	100
9042506	EL-S100P	99 LEDs Bulb	with Plastic Housing	10W/12V	RGB	50
9042507	EL-S100P	99 LEDs Bulb	with Plastic Housing	10W/12V	Warm White (4000k)	117
9042508	EL-S100P	99 LEDs Bulb	with Plastic Housing	10W/12V	Blue	33
9042509	EL-S100L	99 LEDs Bulb	without Housing	10W/12V	Cool White (10000K)	100
9042510	EL-S100L	99 LEDs Bulb	without Housing	10W/12V	RGB	50
9042511	EL-S100L	99 LEDs Bulb	without Housing	10W/12V	Warm White (4000K)	117
9042512	EL-S100L	99 LEDs Bulb	without Housing	10W/12V	Blue	33

# Flat Type Underwater Light

For concrete and vinyl pools

## TP100 SERIES UNDERWATER LIGHT

Waterproof Standard

**IP68**

Cable

**2.5m**

Material

**ABS + UV Stabilizer**

Installation

**Wall Mounted (Flat Type)**

Color



Color Lens



RGB



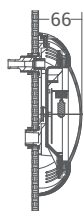
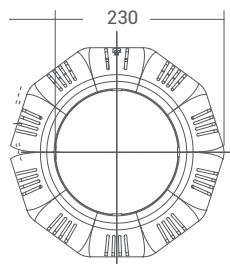
LED Blue



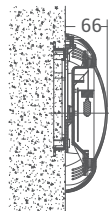
LED Cool White



Model: LED-TP100



For Vinyl Pool



For Concrete Pool



**IP68**



**RoHS COMPLIANT**  
2011/65/EU

**SAA**

### TP100 Series Light Product Information

Code	Model	Light	Watt/ Voltage	Color	Illuminance (lux)
88040602	UL-TP100	Halogen Light Bulb	75W/12V	Color lens,Red/Green/Blue	300(red), 260(green), 180(blue), 480(no lens)
9040602	LED-TP100	198 LEDs Light Panel	8W/12V	Cool White	180(cool white)
9040603	LED-TP100	198 LEDs Light Panel	8W/12V	RGB	115(color)
9040604	LED-TP100	198 LEDs Light Panel	8W/12V	Blue	80(blue)
9040606	LED-TP100	198 LEDs Light Panel	8W/12V	Warm White	180(warm white)

### TP100 Series LED Light Color Changing:



# P100 SERIES UNDERWATER LIGHT

Waterproof Standard

**IP68**

Cable

**2.5m**

Material

**ABS + UV Stabilizer**

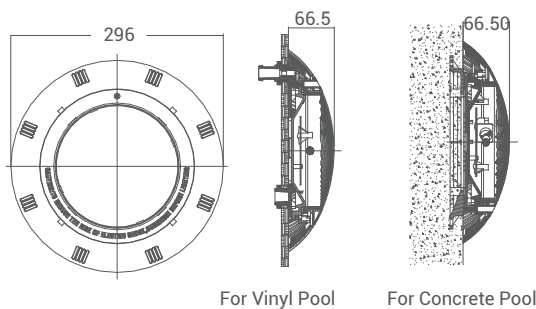
Installation

**Wall Mounted (Flat Type)**

Color



Model: LED-P100



For Vinyl Pool

For Concrete Pool



198 LEDs Light Panel



Halogen Light Bulb



Color lens

## P100 Series Light Product Information

Code	Model	Light	Watt/ Voltage	Color	Illuminance (lux)
88041902	UL-P100	Halogen Light Bulb	75W/12V	Color lens,Red/Green/Blue	400(red), 300(green), 240(blue), 680(no lens)
9040202	LED-P100	198 LEDs Light Panel	8W/12V	Cool White	180(cool white)
9040203	LED-P100	198 LEDs Light Panel	8W/12V	RGB	115(color)
9040204	LED-P100	198 LEDs Light Panel	8W/12V	Blue	80(blue)

## LEDs Panel & Light Bulb for TP100 / P100

Code	Model	Description	Color	Watt/Voltage
01221002	N/A	Color lens for UL-P100	Red/Green/Blue	N/A
01221003	N/A	Color lens for UL-TP100	Red/Green/Blue	N/A
04011111	N/A	LED Light Panel for LED-P100	Cool White	8W/12V
04011112	N/A	LED Light Panel for LED-P100	RGB	8W/12V
04011115	N/A	LED Light Panel for LED-P100	Blue	8W/12V
04011109	N/A	LED Light Panel for LED-TP100	Cool White	8W/12V
04011110	N/A	LED Light Panel for LED-TP100	RGB	8W/12V
04011113	N/A	LED Light Panel for LED-TP100	Blue	8W/12V
04011002	N/A	Halogen light bulb for UL-P100, UL-TP100	Yellow	75W/12V

# CP100 SERIES UNDERWATER LIGHT

Waterproof Standard

IP68

Cable

2.5m

Material

ABS with UV Stabilizer

Installation

Wall Mounted (Flat Type)

Color



RGB



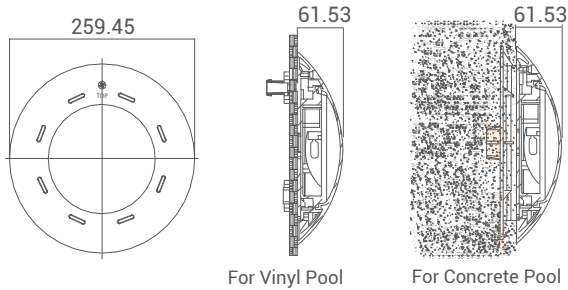
UL White



LED  
Cool White



Model: LED-CP100



IP68 CE RoHS COMPLIANT 2011/65/EU

## CP100 Series Light Product Information

Code	Model	Light	Watt/ Voltage	Color	Illumiance (lux)
88047806	UL-CP100	Halogen Light Bulb	75W/12V	Warm White	480
88047968	LED-CP100	102 LEDs Light Panel	6W/12V	Cool White	170
88047977	LED-CP100	102 LEDs Light Panel	6W/12V	RGB	130
88047976	LED-CP100	198 LEDs Light Panel	8W/12V	Cool White	340
88047978	LED-CP100	198 LEDs Light Panel	8W/12V	RGB	250

## CP100 Series LED Light Color Changing:



# Aurora Light

For concrete, tiled, vinyl liner, and fiberglass pools

Waterproof Standard

IP68

Cable

2.5m

Material

Durable ABS structure

PC Transparent Lid

Installation

Wall mounted (flat type)

Color



RGB



LED Blue



LED  
Warm White



LED  
Cool White



## INNOVATIVE DESIGN AND ADVANCED LIGHT ENGINEERING

- 1. 100% WATER PROOFING** With our latest resin filled LED panel technology, the unit is totally water proof.
- 2. HIGH COMPATIBILITY** Aurora is designed for all concrete, tiled, vinyl liner, and fiberglass pools.
- 3. GREAT DURABILITY** Made of durable ABS with high quality polycarbonate transparent lens. A special heat sink design ensures long LED life.
- 4. CONVENIENCE** Easy installation and maintenance. Latest wiring method allows convenient, reliable wiring for replacement.
- 5. THE WIDEST ANGLE OF ILLUMINATION** The combination of high power LED bulbs and unique 360 degree LED ring achieves the widest angle of illumination on the market.

# THE WIDEST ANGLE OF ILLUMINATION

## Unique 360 Degree LED Ring and High Power Bulbs

Highly efficient illumination is produced by the combination of high power bulbs and a 360 degree LED ring.



360 LED ring



High Power Bulbs



Light Guide Plate

## Light Guide Plate (LGP) Technology

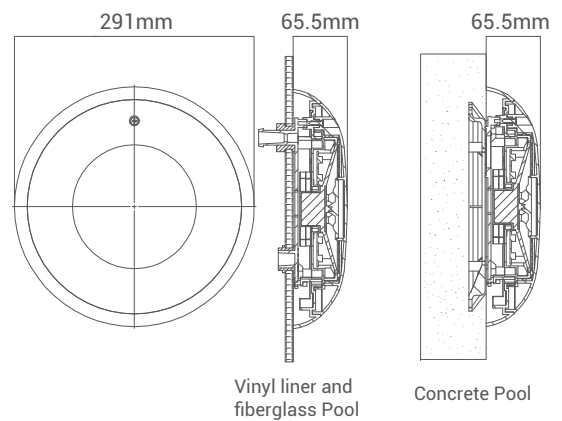
With the light guide plate, Aurora light features an ultra-thin, low power consumption, even brightness, visual comfort and attractive appearance.

## Various Color Options & Pre-programmed Light effects

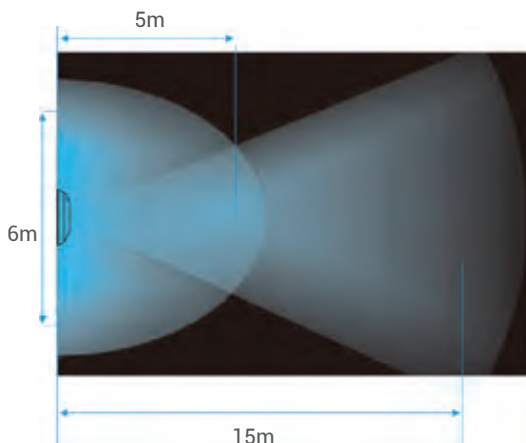
The RGB version offers color changing options with 14 modes with brilliant dynamic light that can be changed by remote control box (optional).

## Product Information

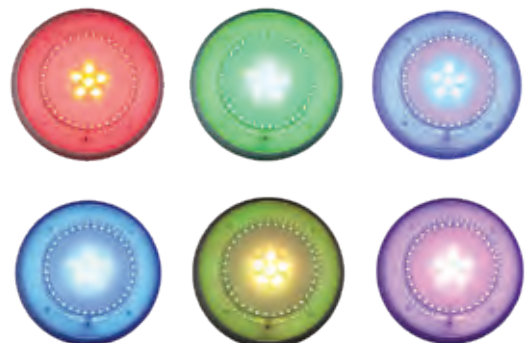
Code	Model	Watt/ Voltage	Color	Illuminance (lux)
88049246	ARR30CW	30W/12V	Cool White (10000k)	1450
88049247	ARR30C	30W/12V	RGB	1700
88049248	ARR30B	30W/12V	Blue	300
88049249	ARR30W	30W/12V	Warm White (4000k)	1395



## Angle and Distance of Illumination



## RGB



# E-Lumen Compact Light

For concrete, vinyl liner, and fiberglass pools

Waterproof Standard

**IP68**

Setting Options

**Niche / Nicheless**

Material

**Durable ABS Structure**

Installation

**Wall Mounted**

Color



RGB



LED Blue



LED Warm White



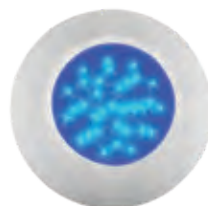
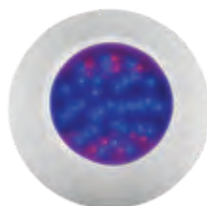
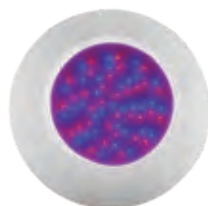
LED Cool White



## 100% WATERPROOFED RESIN-FILLED LIGHT

E-Lumen Compact Light comes with the resin-filled LED panel. Its efficient use of energy offers great illumination at a low power consumption. The E-Lumen Compact is available in two models: the nicheless version is designed for fiberglass or steel panel pools, while the niche version is suitable for concrete pool installation.

**Light Color:**

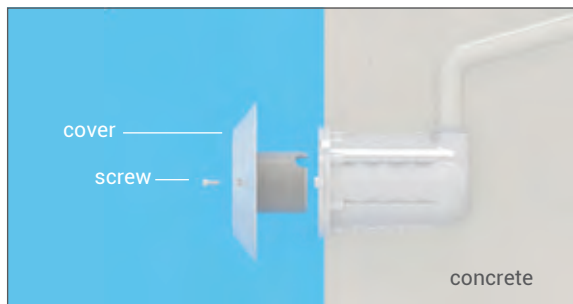




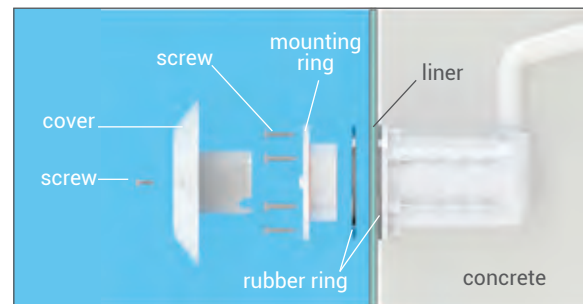
## Installation:

### 1. NICHE VERSION

#### a. Concrete Pool

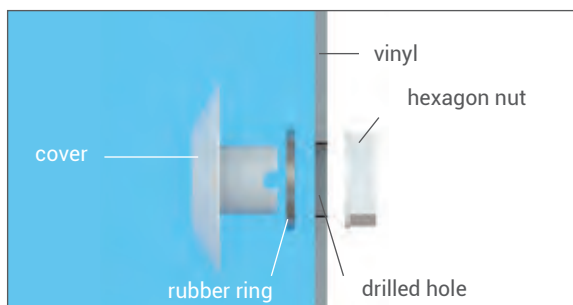


#### b. Concrete Pool with Liner

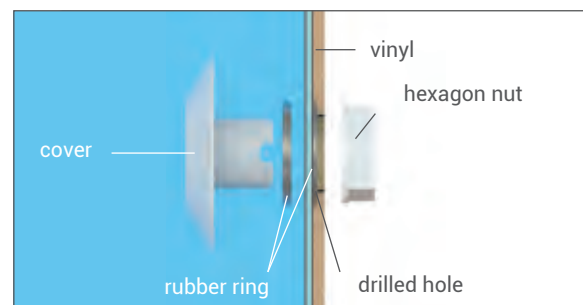


### 2. NICHELESS VERSION

#### a. Fiberglass Pool



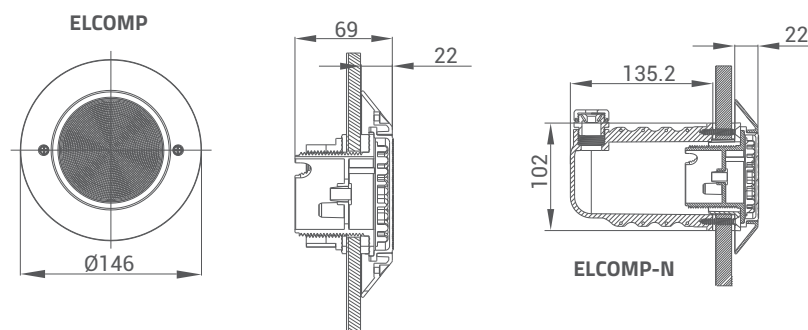
#### b. Steel Panel Pool with Liner



## Product Specifications:

Code	Model No.	Description	Watt/Voltage	Illuminance (lux)	Remarks
88048379	EL-COMP-N	Plastic Light with Housing, 99 LEDs RGB	10W/12V	90	RGB
88048380	EL-COMP-N	Plastic Light with Housing, 99 LEDs Cool White	10W/12V	200	Cool White
88048381	EL-COMP-N	Plastic Light with Housing, 99 LEDs Warm White	10W/12V	212	Warm White
88048382	EL-COMP-N	Plastic Light with Housing, 99 LEDs Single Blue	10W/12V	20	Single Blue
88048479	EL-COMP	Plastic Light Nichless, 99 LEDs RGB	10W/12V	90	RGB
88048480	EL-COMP	Plastic Light Nichless, 99 LEDs Cool White	10W/12V	200	Cool White
88048481	EL-COMP	Plastic Light Nichless, 99 LEDs Warm White	10W/12V	212	Warm White
88048482	EL-COMP	Plastic Light Nichless, 99 LEDs Single Blue	10W/12V	20	Single Blue

## Product Dimension:



# Housing Type Underwater Light

For concrete and vinyl pools

## P300 SERIES UNDERWATER LIGHT

PLASTIC NICHE LIGHT COMES IN WIDE RANGE POWER CHOICES

Waterproof Standard

IP68

Cable

2.5m

Material

ABS + UV Stabilizer

Installation

Wall Mounted (Housing Type)

Color



RGB



Auto Color Changing



UL White



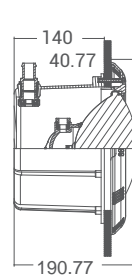
LED Cool White



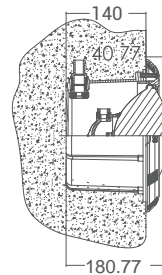
Model: LED P300



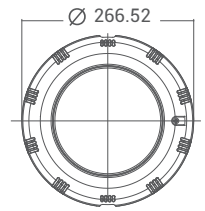
P300 Light Niche



For Vinyl Pool



For Concrete Pool



### P300 Series Light Product Information

Code	Model	Light	Watt/ Voltage	Color	Illuminance (lux)	Application
88040305	UL-P300C	PAR56 Light Bulb	300W/12V	Warm White	12600	Concrete Pool
88042505	UL-P300V	PAR56 Light Bulb	300W/12V	Warm White	12600	Vinyl Pool
9040305	LED-P300V	PAR56 144 LEDs Bulb	10W/12V	Cool White	200(Cool White)	Vinyl Pool
9040304	LED-P300V	PAR56 144 LEDs Bulb	10W/12V	Auto color changing	270(Color)	Vinyl Pool
9040302	LED-P300C	PAR56 144 LEDs Bulb	10W/12V	Cool White	200(Cool White)	Concrete Pool
9040303	LED-P300C	PAR56 144 LEDs Bulb	10W/12V	Auto color changing	270(Color)	Concrete Pool
9040308	LED-P300V	PAR56 252 LEDs Bulb	16W/12V	Cool White	400(Cool White)	Vinyl Pool
9040309	LED-P300V	PAR56 252 LEDs Bulb	16W/12V	RGB	590(Color)	Vinyl Pool
9040312	LED-P300V	PAR56 252 LEDs Bulb	16W/12V	RGB with remote control	590(Color)	Vinyl Pool
9040307	LED-P300C	PAR56 252 LEDs Bulb	16W/12V	Cool White	400(Cool White)	Concrete Pool
9040310	LED-P300C	PAR56 252 LEDs Bulb	16W/12V	RGB	590(Color)	Concrete Pool
9040311	LED-P300C	PAR56 252 LEDs Bulb	16W/12V	RGB with remote control	590(Color)	Concrete Pool

### P300 Series LED Light Color Changing:



# NP300 SERIES UNDERWATER LIGHT

Waterproof Standard

IP68

Cable

2.5m

Material

ABS + UV Stabilizer

S.S. or Plastic Face Ring

Installation

Wall Mounted (Housing Type)

Color



RGB



Auto Color Changing



UL White



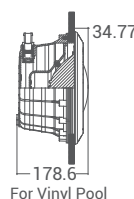
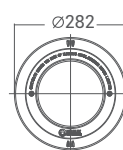
LED Cool White

IP68 CE

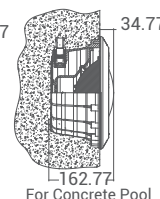
RoHS COMPLIANT 2011/65/EU SAA



Model: NP300-P



For Vinyl Pool



For Concrete Pool

## NP300 Series Light Product Information

Code	Model	Face Ring	Light	Watt/Voltage	Color	Illumiance (lux)	Application	Remote Control
88041605	NP300-P	Plastic	PAR56 Light Bulb	300W/12V	Warm White	9300	Concrete & Vinyl Pool	No
9040703	LED-NP300-P	Plastic	PAR56 144 LEDs Bulb	10W/12V	Cool White	200(Cool White)	Vinyl Pool	No
9040701	LED-NP300-P	Plastic	PAR56 144 LEDs Bulb	10W/12V	Cool White	200(Cool White)	Concrete Pool	No
9040704	LED-NP300-P	Plastic	PAR56 144 LEDs Bulb	10W/12V	Auto color changing	270(Color)	Vinyl Pool	No
9040702	LED-NP300-P	Plastic	PAR56 144 LEDs Bulb	10W/12V	Auto color changing	270(Color)	Concrete Pool	No
9040718	LED-NP300-P	Plastic	PAR56 252 LEDs Bulb	16W/12V	RGB	590(Color)	Vinyl Pool	Yes
9040717	LED-NP300-P	Plastic	PAR56 252 LEDs Bulb	16W/12V	RGB	590(Color)	Concrete Pool	Yes
9040711	LED-NP300-P	Plastic	PAR56 252 LEDs Bulb	16W/12V	Cool White	400(Cool White)	Vinyl Pool	No
9040709	LED-NP300-P	Plastic	PAR56 252 LEDs Bulb	16W/12V	Cool White	400(Cool White)	Concrete Pool	No
9040712	LED-NP300-P	Plastic	PAR56 252 LEDs Bulb	16W/12V	Auto color changing	590(Color)	Vinyl Pool	No
9040710	LED-NP300-P	Plastic	PAR56 252 LEDs Bulb	16W/12V	Auto color changing	590(Color)	Concrete Pool	No
88045305	NP300-S	Stainless Steel	PAR56 Light Bulb	300W/12V	Warm White	9300	Concrete & Vinyl Pool	No
9040705	LED-NP300-S	Stainless Steel	PAR56 144 LEDs Bulb	10W/12V	Cool White	200(Cool White)	Vinyl Pool	No
9040707	LED-NP300-S	Stainless Steel	PAR56 144 LEDs Bulb	10W/12V	Cool White	200(Cool White)	Concrete Pool	No
9040706	LED-NP300-S	Stainless Steel	PAR56 144 LEDs Bulb	10W/12V	Auto color changing	270(Color)	Vinyl Pool	No
9040708	LED-NP300-S	Stainless Steel	PAR56 144 LEDs Bulb	10W/12V	Auto color changing	270(Color)	Concrete Pool	No
9040720	LED-NP300-S	Stainless Steel	PAR56 252 LEDs Bulb	16W/12V	RGB	590(Color)	Vinyl Pool	Yes
9040719	LED-NP300-S	Stainless Steel	PAR56 252 LEDs Bulb	16W/12V	RGB	590(Color)	Concrete Pool	Yes
9040713	LED-NP300-S	Stainless Steel	PAR56 252 LEDs Bulb	16W/12V	Cool White	400(Cool White)	Vinyl Pool	No
9040715	LED-NP300-S	Stainless Steel	PAR56 252 LEDs Bulb	16W/12V	Cool White	400(Cool White)	Concrete Pool	No
9040714	LED-NP300-S	Stainless Steel	PAR56 252 LEDs Bulb	16W/12V	Auto color changing	590(Color)	Vinyl Pool	No
9040716	LED-NP300-S	Stainless Steel	PAR56 252 LEDs Bulb	16W/12V	Auto color changing	590(Color)	Concrete Pool	No

## Accessories for NP300

Code	Model	Description
89041608	N/A	Vinyl Pool Fitting
89041609	N/A	Stainless Steel Face Ring
01050010	N/A	Lights Niche



Light Niche

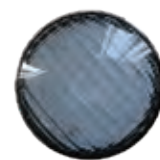


S.S. Face Ring

## LED Panels & Light Bulbs for P300 / NP300

High luminosity light bulb and the power-efficient LEDs with stunning colour changing effect are available for option.

Code	Model	Description	Color	Watt/Voltage
08040025	N/A	Par56 144 LEDs Bulb	Cool White	10W/12V
08040026	N/A	Par56 144 LEDs Bulb	Auto Color Changing	10W/12V
08040022	N/A	Par56 252 LEDs Bulb	Cool White	16W/12V
08040023	N/A	Par56 252 LEDs Bulb (with remote control)	Multi Color Options	16W/12V
08040024	N/A	Par56 252 LEDs Bulb	Auto Color Changing	16W/12V
9042106	N/A	Par56 171 LEDs Bulb	Cool White	25W/12V
9042107	N/A	Par56 171 LEDs Bulb	RGB-14 Modes	25W/12V
04011004	N/A	Par56 Light Bulb	Warm White	300W/12V



Par56 LED Light Bulb



Par56 Light Bulb



# S300 SERIES UNDERWATER LIGHT

## POLISHED STAINLESS STEEL LIGHT

A perfect choice for concrete pool and spa with recess installation

Waterproof Standard

**IP68**

Cable

**2.5m**

Material

**Stainless Steel AISI 304**

Installation

**Wall Mounted (Housing Type)**

Color



Auto Color Changing



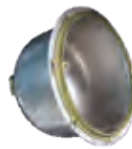
UL White



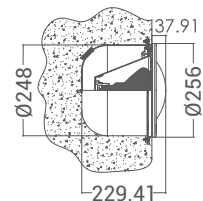
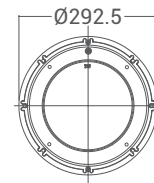
LED Cool White



UL-S300



UL-S300SN



**IP68** **CE** **RoHS COMPLIANT 2011/65/EU**

### S300 Series Light Product Information

Code	Model	Light / Housing	Watt/Voltage	Color	Illumiance (lux)
9041505	LED-S300	S/S Light, E27(252 LEDs Bulb), with S/S housing	16W/12V	Auto color changing	330(Color)
9041506	LED-S300	S/S Light, E27(252 LEDs Bulb), with S/S housing	16W/12V	Cool White	280(Cool White)
9041503	LED-S300L	S/S Lamp, E27(252 LEDs Bulb), without housing	16W/12V	Auto color changing	330(Color)
9041504	LED-S300L	S/S Lamp, E27(252 LEDs Bulb), without housing	16W/12V	Cool White	280(Cool White)
88043905	UL-S300	S/S Light, E27, with S/S housing	300W/12V	Warm White	1630
88040705	UL-S300L	S/S Lamp, E27, without housing	300W/12V	Warm White	1630
88043605	UL-S300SN	Stainless Steel housing for S300	N/A	N/A	N/A

### LED Panels & Light Bulbs for S300

Code	Model	Description	Color	Watt/Voltage
04011011	N/A	E27 Light Bulb	Warm White	300W/12V
04011035	N/A	E27 252 LEDs Bulb	Auto Color Changing	16W/12V
04011046	N/A	E27 252 LEDs Bulb	Cool White	16W/12V



E27 Light Bulb

### S300 and S100 Series LED Light Auto Color Changing:



# S100 SERIES UNDERWATER LIGHT

Waterproof Standard

**IP68**

Cable

**2.5m**

Material

**Stainless steel AISI 304/Plastic**

Installation

**Wall Mounted (Housing Type)**

Color



Auto Color Changing



UL White



LED Cool White



S100PN



S100SN



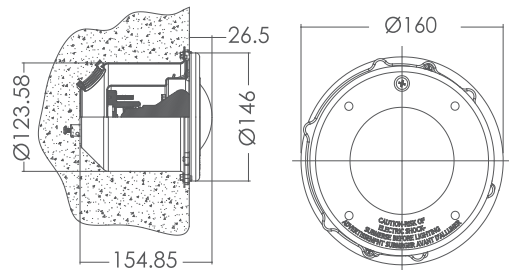
UL-S100P



**IP68**



**RoHS**  
COMPLIANT  
2011/65/EU



## S100 Series Light Product Information

Code	Model	Light / Housing	Watt/Voltage	Color	Illuminance (lux)
88043902	UL-S100S	S/S Light, E27 Bulb, with S/S housing	100W/12V	Warm White	200
88043802	UL-S100P	S/S Light, E27 Bulb, with Plastic housing	100W/12V	Warm White	200
88040702	UL-S100L	S/S Light, E27 Bulb, without housing	100W/12V	Warm White	200
9041402	LED-S100S	S/S Light, 18 LEDs Bulb, with S/S housing	1W/12V	Cool White	45(Cool White)
9041403	LED-S100S	S/S Light, 18 LEDs Bulb, with S/S housing	1W/12V	Auto color changing	60(Color)
9041405	LED-S100P	S/S Light, 18 LEDs Bulb, with Plastic housing	1W/12V	Cool White	45(Cool White)
9041406	LED-S100P	S/S Light, 18 LEDs Bulb, with Plastic housing	1W/12V	Auto color changing	60(Color)
9041408	LED-S100L	S/S Light, 18 LEDs Bulb, without housing	1W/12V	Cool White	45(Cool White)
9041409	LED-S100L	S/S Light, 18 LEDs Bulb, without housing	1W/12V	Auto color changing	60(Color)
9041410	LED-S100S	S/S Light, 72 LEDs Bulb, with S/S housing	5W/12V	Cool White	270(Cool White)
9041411	LED-S100S	S/S Light, 72 LEDs Bulb, with Plastic housing	5W/12V	Auto color changing	460(Color)
9041412	LED-S100P	S/S Light, 72 LEDs Bulb, with Plastic housing	5W/12V	Cool White	270(Cool White)
9041413	LED-S100P	S/S Light, 72 LEDs Bulb, with Plastic housing	5W/12V	Auto color changing	460(Color)
9041414	LED-S100L	S/S Light, 72 LEDs Bulb, without housing	5W/12V	Cool White	270(Cool White)
9041415	LED-S100L	S/S Light, 72 LEDs Bulb, without housing	5W/12V	Auto color changing	460(Color)
88043602	S100SN	Stainless Steel Housing	N/A	N/A	N/A
88043502	S100PN	Plastic Housing	N/A	N/A	N/A

## LED Panels & Light Bulbs for S100

Code	Model	Description	Color	Watt/Voltage
04011009	N/A	E27 Light Bulb	White	100W/12V
04011017	N/A	E27 18 LEDs Bulb	Auto Color Changing	1W/12V
04011021	N/A	E27 18 LEDs Bulb	White	1W/12V
04011050	N/A	E27 72 LEDs Bulb	Auto Color Changing	5W/12V
04011053	N/A	E27 72 LEDs Bulb	White	5W/12V



E27 Light Bulb for S100



E27 18 LEDs Bulb for S100

# H100 & H200 SERIES UNDERWATER LIGHT

## DELUXE POWERFUL HALOGEN IN SLIM NICHE

For concrete pool and spa with a compact recess

Waterproof Standard

**IP68**

Cable

**2.5m**

Material

**S.S. AISI 304**

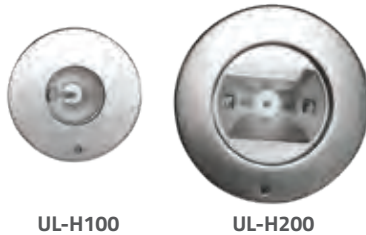
Installation

**Wall Mounted (Housing Type)**

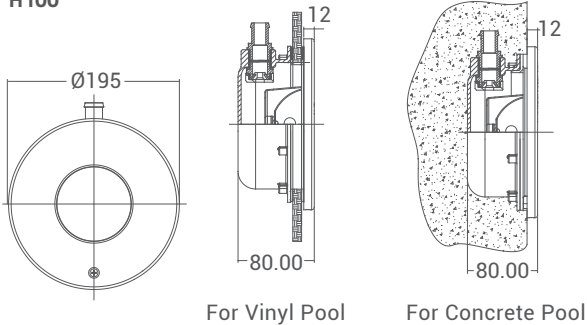
Color



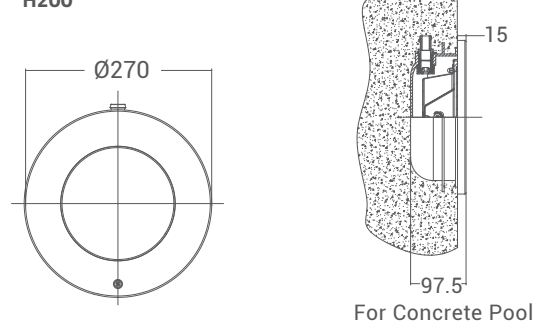
UL White



H100



H200



### Product Information

**IP68** **CE** **RoHS COMPLIANT 2011/65/EU**

Code	Model	Light	Watt/ Voltage	Color	Illuminance (lux)	Application
88042602	UL-H100V	1 Halogen Light Bulb	75W/12V	Warm White	520	Vinyl Pool
88041002	UL-H100C	1 Halogen Light Bulb	75W/12V	Warm White	520	Concrete Pool
88041004	UL-H200C	2 Halogen Light Bulb	150W/12V	Warm White	830	Concrete Pool

### Light Bulb and Niches for H100/H200

Code	Model	Description	Watt/Voltage	Color
04011073	N/A	Halogen Light Bulb for UL-NS/UL-H	75W/12V	Warm White
01171099	N/A	Lights Niche-for UL H100	N/A	N/A
01171101	N/A	Lights Niche-for UL H200	N/A	N/A



Halogen Light Bulb for UL-NS / UL-H

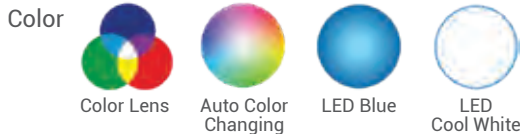
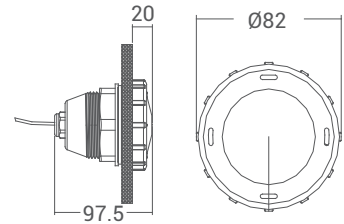
UL-H Series Light Niche

# Spa Light

## P50 SERIES PLASTIC SPA LIGHT

Waterproof Standard **IP68**  
 Cable **1.5m**

Material **Plastic**  
 Installation **Wall Mounted (Housing Type)**



LED-P50

**IP68** **RoHS COMPLIANT 2011/65/EU**

### P50 Series Light Product Information

Code	Model	Light	Watt/Voltage	Color	Illuminance (lux)
88040101	UL-P50	MR 16 Halogen Lamp	20W/12V	Color lens (Red/Green/Blue)	200(red),260(green),100(blue),700(no lens)
9040102	LED-P50	MR 16, 18 LEDs Bulb	1W/12V	Cool White	200(Cool White)
9040103	LED-P50	MR 16, 18 LEDs Bulb	1W/12V	Auto Changing Color	120(Color)
90401024	LED-P50	MR 16, 18 LEDs Bulb	1W/12V	Blue	100(Blue)

### LED and halogen bulbs for P50 Series

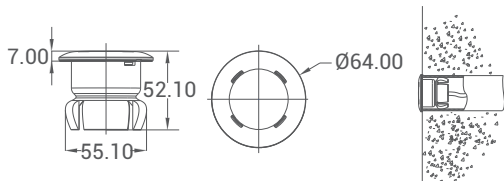
Code	Model	Description	Watt/Voltage	Color
01173044	N/A	Concrete Housing for UL-P50	-	N/A
04011016	N/A	MR16 Two-pin 18 LEDs Bulb	1W/12V	Auto Color Changing
04011015	N/A	MR16 Two-pin 18 LEDs Bulb	1W/12V	Cool White
04011001	N/A	MR16 Halogen Lamp	20W/12V	Color lens (Red/Green/Blue)



## P10 SERIES PLASTIC UNDERWATER LIGHT

Waterproof Standard **IP68**  
 Cable **3m**

Material **ABS+ UV Stabilizer**  
 Installation **Wall Mounted (slip in 63mm Class 12PVC pipe)**



Code	Model	Description	Watt/Voltage	Color	Illuminance (lux)
88041939	LED-P10	18 LEDs Bulb for Concrete Pool	1W/12V	Auto Color Changing	124
88041940	LED-P10	18 LEDs Bulb for Concrete Pool	1W/12V	Cool White	140
9040003	LED-P10	18 LEDs Bulb for Concrete Pool	1W/12V	Warm White	180

# Terra-Lux Light

For both installation in underwater or ground surface

Waterproof Standard

IP68

Cable

1.5m

Material

AISI-316 Stainless Steel Light with durable ABS Plastic Housing

Installation

Underwater/Floor

Color



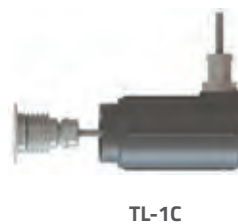
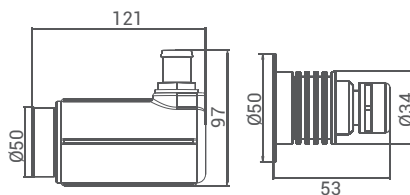
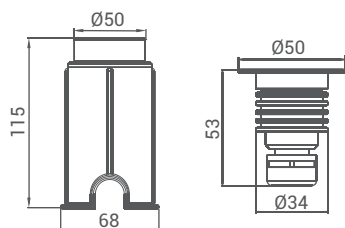
IP68 CE RoHS COMPLIANT 2011/65/EU SAA



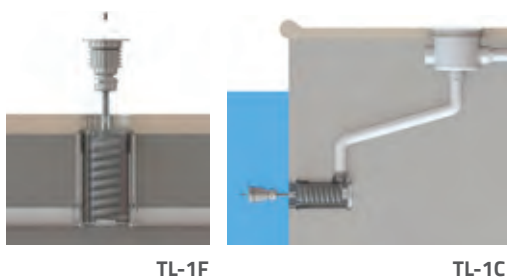
## ENERGY SAVING, AND A WIDE RANGE OF APPLICATIONS

This small but powerful light is an ideal solution for saving energy while at the same time generates high level illumination from its 3W LED light source. The AISI-316 stainless steel body assures optimum corrosion resistance. The polished stainless steel surface is simply classic and elegant. The high grade ABS plastic niche is also durable and applicable for installations such as in-ground, pool wall, deck surface, and steps.

### Product Dimensions



### Product Installation



### Product Information

Code	Model	Installation	Watt/Voltage	Color	Illumiance (lux)
88048683	TL-1F	Floor	3W/12V	Cool White, 6,000k	140
88048583	TL-1C	Wall	3W/12V	Cool White, 6,000k	140
88048691	TL-1F	Floor	3W/12V	Warm White, 3,000k	198
88048591	TL-1C	Wall	3W/12V	Warm White, 3,000k	198



# F20/F20A Series Fountain Light

For colorful water features and fountain displays

## AUTOMATIC COLOR-CHANGING

Waterproof Standard

IP68

Material

Stainless Steel AISI 304

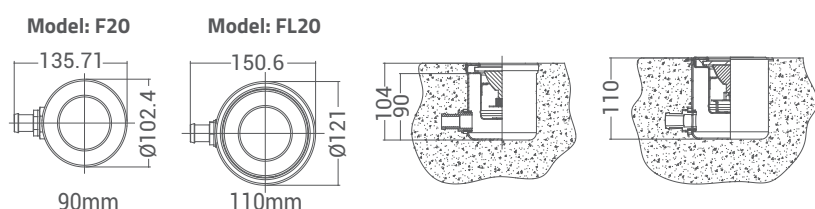
Cable

2.5m

Installation

Floor Mounted

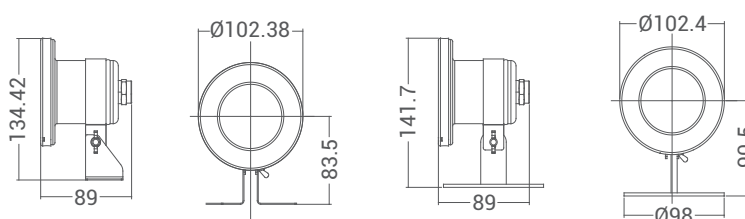
### F20 Series Fountain Light with a 90mm/110mm Stainless Steel Housing



Model: F20

Code	Model	Watt/Voltage	Illuminance (lux)	Description
88042807	UL-F20	20W/12V	1039	MR16 Halogen Lamp, Warm White, 90mm Housing
88045407	UL-FL20	20W/12V	1039	MR16 Halogen Lamp, Warm White, 110mm Housing
9041708	LED-F20	1W/12V	80 (Cool White)	MR16 Two-Pin, 18 LEDs Bulb, / Cool White/ 90mm Housing
9041709	LED-F20	1W/12V	130 (Color)	MR16 Two-Pin, 18 LEDs Bulb, / Automatic Changing Color / 90mm Housing
9041712	LED-F20	1W/12V	/	MR16 Two-Pin, 18 LEDs Bulb, / Blue/ 90mm Housing
9041706	LED-FL20	1W/12V	130 (Color)	MR16 Two-Pin, 18 LEDs Bulb, Automatic Changing Color, 110mm Housing
9041705	LED-FL20	1W/12V	80 (Cool White)	MR16 Two-Pin, 18 LEDs Bulb, Cool White, 110mm Housing
9041711	LED-FL20	1W/12V	/	MR16 Two-Pin, 18 LEDs Bulb, Blue, 110mm Housing

### F20A Series Fountain Light with a Stainless Steel base



Model: F20A

Code	Model	Watt/Voltage	Illuminance (lux)	Description
88044407	UL-F20A	20W/12V	1039	MR16 Halogen Lamp, Warm White
9041702	LED-F20A	1W/12V	80 (White)	MR16 Two-Pin, 18 LEDs Bulb, Cool White
9041703	LED-F20A	1W/12V	130 (Color)	MR16 Two-Pin, 18 LEDs Bulb, Automatic Changing Color
9041710	LED-F20A	1W/12V	80 (Blue)	MR16 Two-Pin, 18 LEDs Bulb, Blue

### Light Bulb for F20 and F20A Series Light

Code	Model	Watt/Voltage	Description
04011016	N/A	1W/12V	MR16 Two-Pin, 18 LEDs Bulb, Automatic Changing Color
04011015	N/A	1W/12V	MR16 Two-Pin, 18 LEDs Bulb, Cool White
04011034	N/A	1W/12V	MR16 Two-Pin, 18 LEDs Bulb, Blue
04011001	N/A	20W/12V	MR16 Halogen Lamp, Color lens (RGB)



# Glow+ LED Strip

Flexible IP68 Linear Lighting for pools and water features

Material

Modified PVC

Working Voltage

24VDC

Rated Power/M

10W per meter

Color intensity option

6500K/5700K/5000K/

4500K/4000K/3500K/

3000K/2700K

Light strip bending radius

12cm

IP Rating

IP68

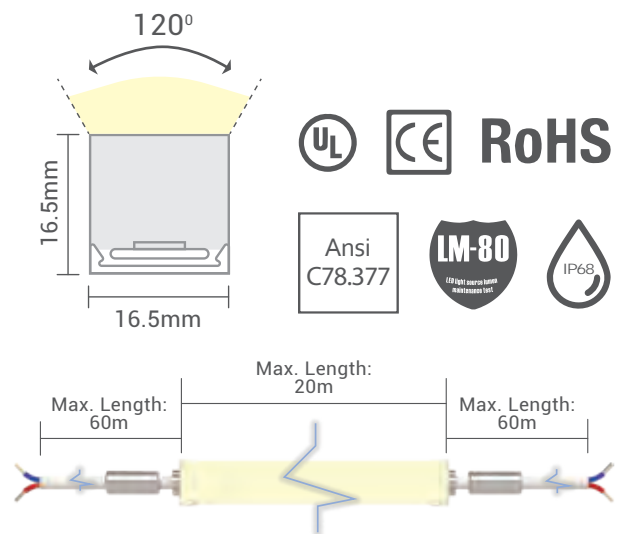


## AESTHETIC UNDERWATER LIGHTING EFFECT

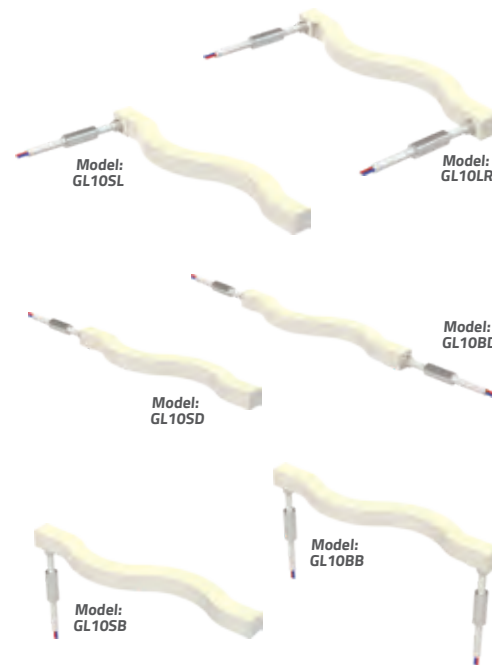
Glow+ is an extendable and top view flexible LED strip for creating underwater profile lighting. The flexible linear design fits to any shapes or sizes of pools that have straight or curved profiles. Its completely waterproof feature enables it to be widely used in swimming pool, spa, and water features.

### Main Features

- Lengths of up to 20m minimize the number of required connections.
- Its waterproof, UV, saltwater, flame, solvents and dirt resistant characteristics provide a long, maintenance-free life.
- Waterproof accessories allow safe and easy installation and connection.
- Certificated LM-80 and ANSI C78.377 LED lighting standards and IK08 for external impact resistance.
- Available in range of white CCT intensity from 2700K-6500K for ambient matching.
- 120-degree beam angle. Flat rectangular diffuser surface provides a smooth profile.
- Manual or Wireless remote dimmer is available for adjusting lighting effects.



Code	Model	Description
9042915	GL10	White LED Strip 0.5m - max. 20m length, Color intensity 2700 - 6500K



## LED STRIP (10M LENGTH) ORDER CONFIGURATION

Code	Model	Description
9042901	GL10SR	Power connector side right (For 0.5-10m LED Strip)
9042903	GL10SL	Power connector side left (For 0.5-10m LED Strip)
9042905	GL10LR	Power connector side both (For 10.5-20m LED Strip)
9042907	GL10SD	Power connector side direct (For 0.5-10m LED Strip)
9042909	GL10BD	Power connector side both direct (For 10.5-20m LED Strip)
9042911	GL10SB	Power connector side bottom (For 0.5-10m LED Strip)
9042913	GL10BB	Power connector side both bottom (For 10.5-20m LED Strip)

Code example: 9042915 (5m length, 3000K) + 9042901 = 5m LED strip 3000K with power connector side right.

## Recommended Dimmer And Power Supply:

24V DC power supply provides LED strip power source and dimmer with remote control to adjust the brightness of the strip.

Code	Model	Description
E042901	Dimmer Controller	LED Dimmer with remote
106328534	Power Supply HLG 240H 24	24V, 240W, 100-240V AC 50/60pHz input voltage, IP67 (For 0.5-20m LED Strip)
106328535	Power Supply HLG 120H 24	24V, 120W, 100-240V AC 50/60Hz input voltage, IP67 (For 0.5-10m LED Strip)



## Mounting Accessories:

2 available lengths of plastic mounting clips for light strip installation and one stainless steel clip for corner reinforcement.

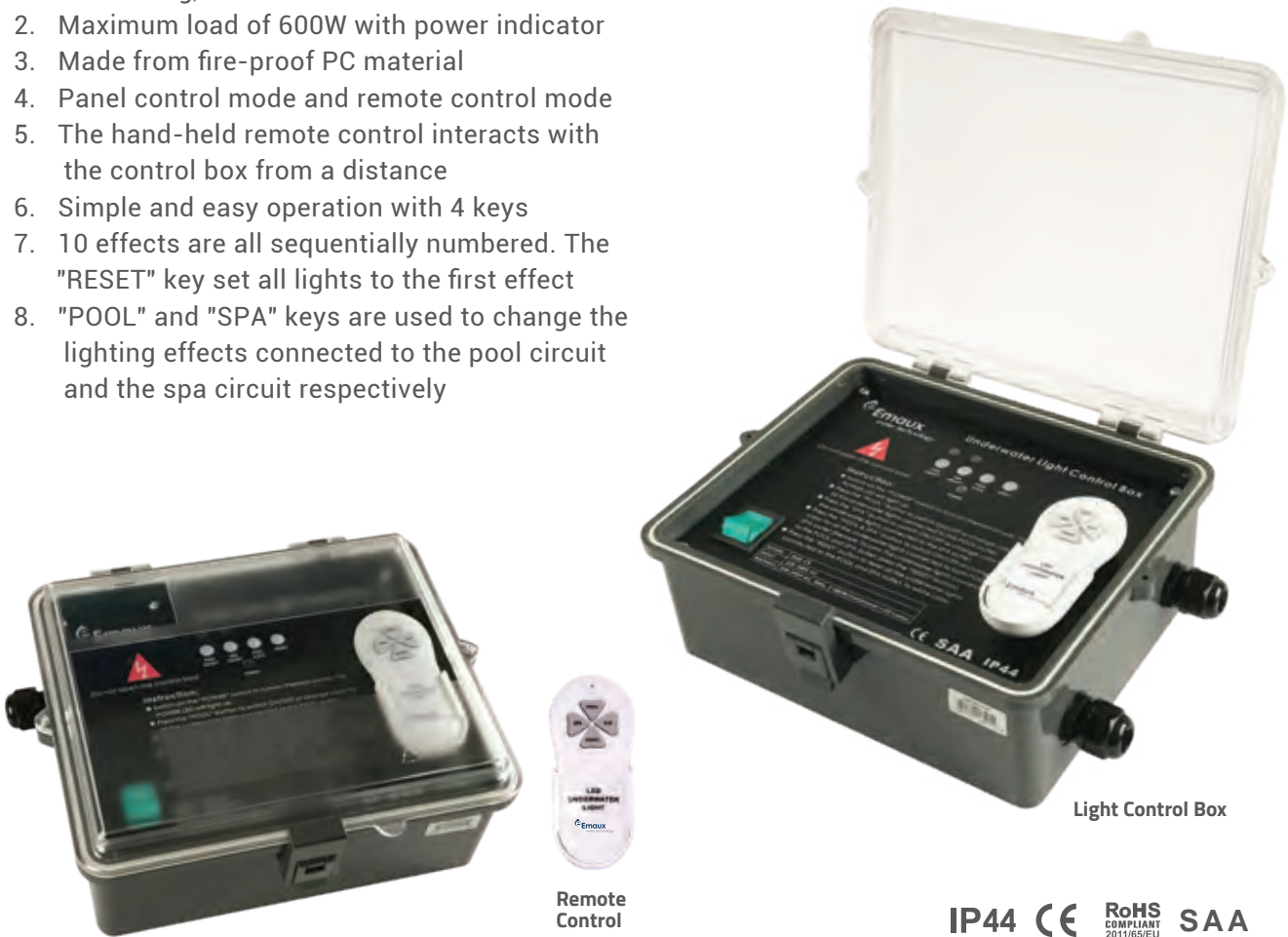
Code	Model	Description	Photo
106090026	GLPMC	Plastic Mounting Clips Transparent 35mm	
106090027	GLPMC1M	Plastic Mounting Channel Transparent 1m	
106090028	GLSMC	Stainless steel Mounting Clip 5cm	
106090029	GLDIYSC	DIY End Connector Kit	

# Light Control Box

Remote control for RGB lights. Electrical overload and leakage protection

## Product Features

1. IP44 rating, suitable for outdoor use
2. Maximum load of 600W with power indicator
3. Made from fire-proof PC material
4. Panel control mode and remote control mode
5. The hand-held remote control interacts with the control box from a distance
6. Simple and easy operation with 4 keys
7. 10 effects are all sequentially numbered. The "RESET" key set all lights to the first effect
8. "POOL" and "SPA" keys are used to change the lighting effects connected to the pool circuit and the spa circuit respectively



Light Control Box

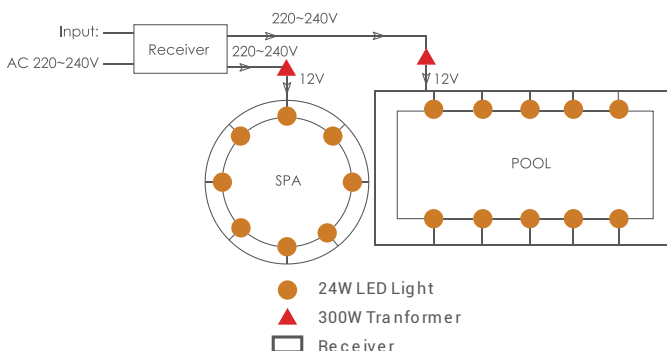
Remote Control

IP44 CE RoHS COMPLIANT 2011/65/EU SAA

## Product Information

With Remote Controller

Code	Model	Description
08040009	RGB-CB	2*300W/220-240V/50/60Hz
08040020	RGB-CB	2*300W/110V/ 50/60Hz



## WEATHERPROOF FOR OUTDOOR INSTALLATION

The AC power of 600W at maximum feed into the control box is divided into 2 circuits which can each support a load up to 300W. The control for lights on the same line is by nature synchronized and synchronization of control over both lines (all lights) is also possible.

# Transformer and Junction Box

For all kinds of pool lighting

## 12V LIGHT TRANSFORMER



CE

Code 230V (50/60Hz)	Code 240V (50/60Hz)	Code 120V (60Hz)	Model
88322201	88322301	88322401	TRA-10VA
88322207	88322307	88322407	TRA-50VA
88322202	88322302	88322402	TRA-105VA
88322203	88322303	88322403	TRA-150VA
88322205	88322305	88322405	TRA-300VA
88322260	88322360	88322460	TRA-600VA

## ENSURE VERSATILITY AND SAFETY

1. Low voltage for new construction or replacement lighting system application
2. Fully enclosed waterproof outdoor design
3. Flexible cable wiring and connection
4. Compact size for any placement
5. Models at different power ratings to suit the entire range of Emaux lighting

## WATERPROOF JUNCTION BOX

For flush installation in pool deck

Code	Model	Description
08060001	EM2823A	Junction Box only
08060002	EM2823B	With adaptors
88250112	EM2823C	Complete set with 1m hose and adaptors





# POOL FITTINGS

DURABLE FOR ALL WEATHER CONDITIONS

---

Pool fittings are inconspicuous parts of a swimming pool, but are essential for the correct water circulation in the filtration system. We manufacture high quality fixtures and fittings such as skimmers, inlet and outlet fittings, main drains, and gratings, which are made of durable ABS material for maximum strength and durability in all weather conditions.



# Outlet Fittings

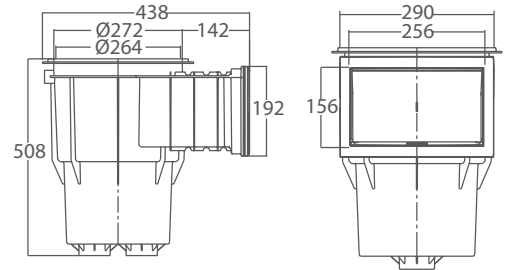
## HEAVY DUTY SKIMMER

### Standard Wall Heavy Duty Skimmer (EM0030)



EM0030RV EM0030RC

EM0030SV EM0030SC



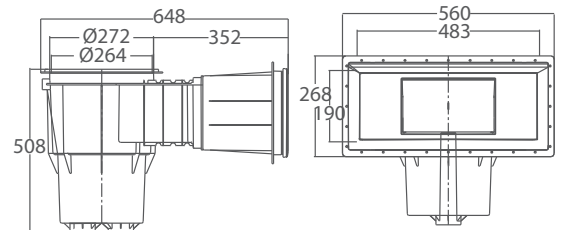
Code	Model	Application
88150912	EM0030-RV	Vinyl Pool (Round Cover)
88151012	EM0030-RC	Concrete Pool (Round Cover)
88151112	EM0030-SV	Vinyl Pool (Square Cover)
88151212	EM0030-SC	Concrete Pool (Square Cover)

### Wide Mouth Wall Heavy Duty Skimmer (EM0040)



EM0040RV EM0040RC

EM0040SV EM0040SC



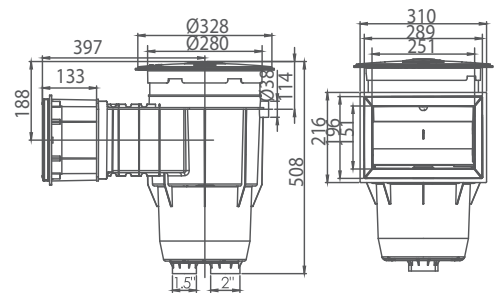
Code	Model	Application
88151312	EM0040-RV	Vinyl Pool (Round Cover)
88151412	EM0040-RC	Concrete Pool (Round Cover)
88151512	EM0040-SV	Vinyl Pool (Square Cover)
88151612	EM0040-SC	Concrete Pool (Square Cover)

### Heavy Duty Skimmer With Extension (EM0050)



EM0050RV EM0050RC

EM0050SV EM0050SC



Code	Model	Application
88151712	EM0050-RV	Vinyl Pool (Round Cover)
88151812	EM0050-RC	Concrete Pool (Round Cover)
88151912	EM0050-SV	Vinyl Pool (Square Cover)
88152012	EM0050-SC	Concrete Pool (Square Cover)



## Exploded diagram



## Corrosion-Proof Unibody Construction

The heavy-duty skimmer can be used for residential and commercial swimming pools suitable for concrete, fiberglass, and vinyl surfaces. The 3 models are injection molded and made with UV resistant ABS material; the reinforced material provides the maximum strength and durability for all weather conditions. The design allows 1.5" or 2" suction connections to the piping.

## Product Features

1. Suitable for 1.5" and 2" piping
2. Knockout overflow / fill port
3. A large debris collection basket
4. Snap-in and removable weir
5. Optional accessories:
  - a. Stackable extension collar allows infinite vertical height
  - b. Stackable extension throat allows variable horizontal length

## Heavy Duty Skimmer Accessories



Wide Mouth Extension  
Code: 01051183



Extension Throat  
(wide) Code: 01050023  
(narrow) Code: 01050032



Extension Collar  
Code: 01050004



Basket with Plastic Handle  
Code: 89150501



Square Dress Ring  
Code: 01211036



Round Dress Ring  
Code: 01211035



Skimmer Cover  
Code: 89150509



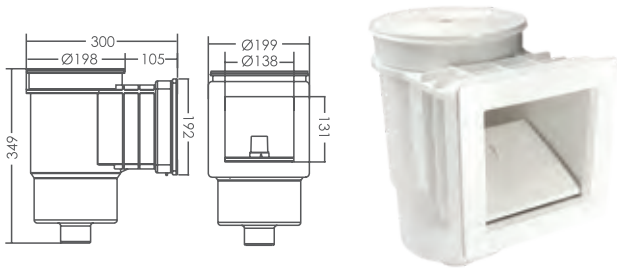
Vacuum Plate  
Code: 01051180



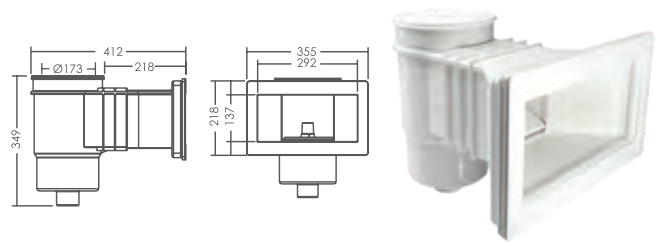
90° Vacuum  
Hose Connector  
Code: 01050007

# SKIMMER

## 9.5L Wall Skimmer (EM0010)



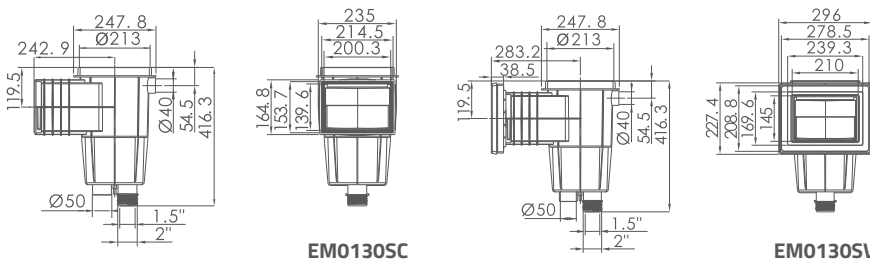
## 9.5L Wide Mouth Wall Skimmer(EM0020)



Code	Model	Connection	Application	Flow Rate (L/min)
91600302	EM0010-RV	1.5" Internal Threaded	Vinyl Pool	150
91600301	EM0010-RC	1.5" Internal Threaded	Concrete Pool	150

Code	Model	Connection	Application	Flow Rate (L/min)
91601002	EM0020-RV	1.5" Internal Threaded	Vinyl Pool	150
91601001	EM0020-RC	1.5" Internal Threaded	Concrete Pool	150
91601015	EM0020T-RV	1.5" Internal Threaded	Vinyl Pool (with brass inserts)	150

## 15L Standard Wall Skimmer (EM0130)



EM0130SC

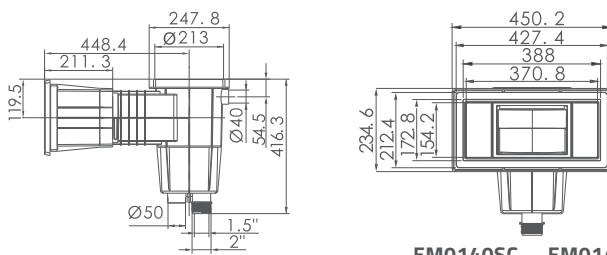
EM0130SV



EM0130SC EM0130SV

Code	Model	Connection	Application	Flow Rate (L/min)
91600315	EM0130-SC	1.5" and 2" Internal Threaded and 1.5" Solvent Internal	Concrete Pool	150 - 200
91600316	EM0130-SV	1.5" and 2" Internal Threaded and 1.5" Solvent Internal	Vinyl Pool	150 - 200
91600320	EM0130TS-SV	1.5" and 2" Internal Threaded and 1.5" Solvent Internal	Vinyl Pool (without brass inserts)	150 - 200

## 15L Wide Mouth Wall Skimmer (EM0140)



EM0140SC EM0140SV



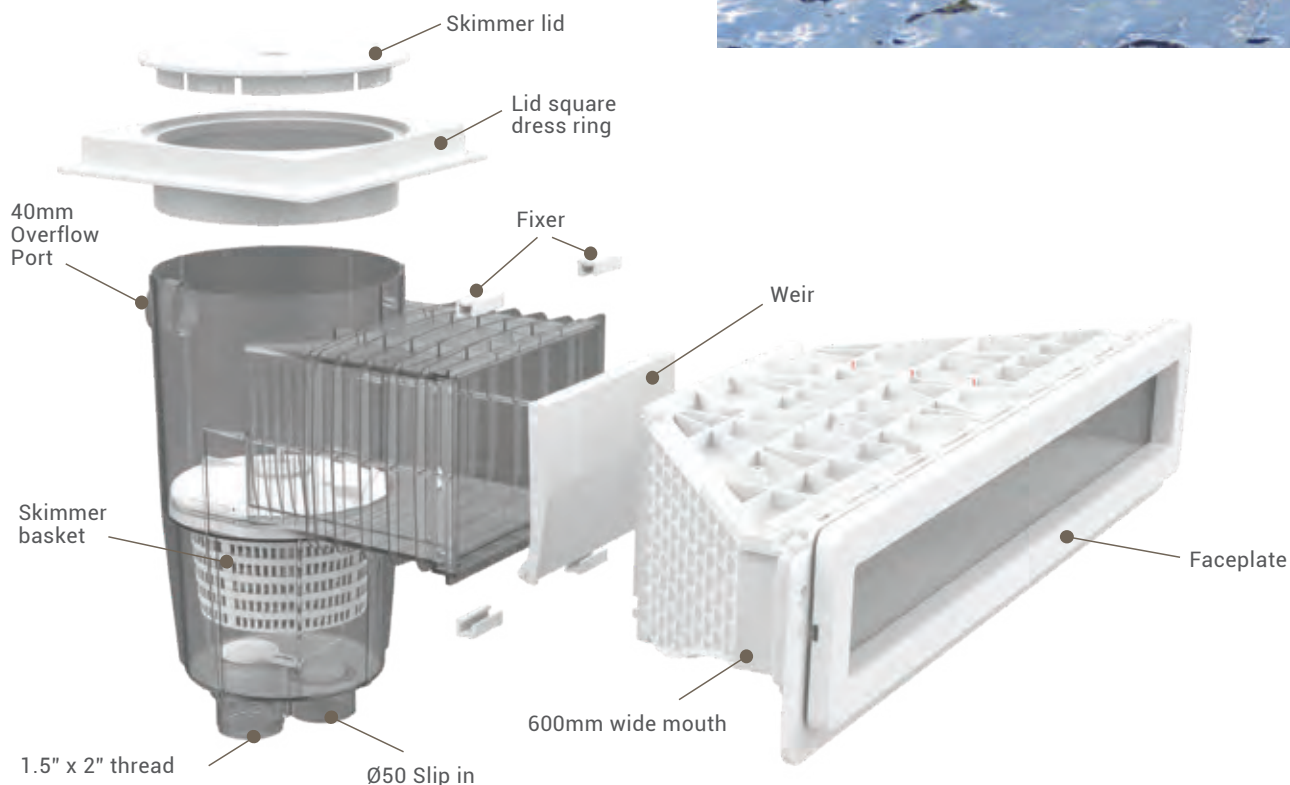
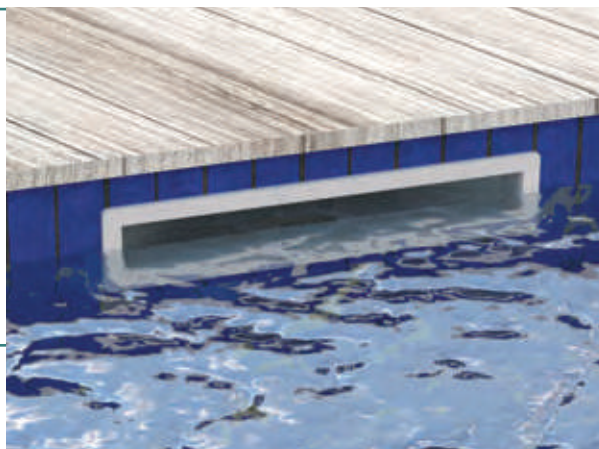
EM0140SC EM0140SV

Code	Model	Connection	Application	Flow Rate (L/min)
91601013	EM0140-SC	1.5" and 2" Internal Threaded and 1.5" Solvent Internal	Concrete Pool	150 - 200
91601014	EM0140-SV	1.5" and 2" Internal Threaded and 1.5" Solvent Internal	Vinyl Pool	150 - 200
91601016	EM0140TS-SC	1.5" and 2" Internal Threaded and 1.5" Solvent Internal	Concrete Pool (without brass inserts)	150 - 200
91601017	EM0140TS-SV	1.5" and 2" Internal Threaded and 1.5" Solvent Internal	Vinyl Pool (without brass inserts)	150 - 200

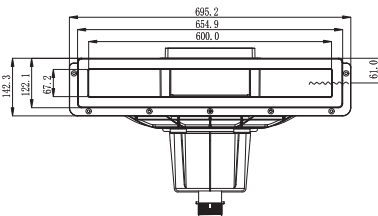
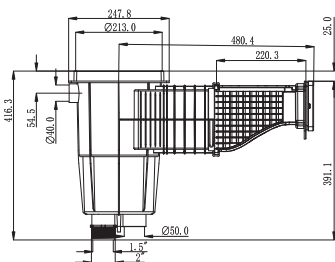
# SURFACE SKIMMER **NEW**

## Elegant & functional

This 600mm wide surface skimmer enables the water line to be close to the pool deck level and creates an elegant finish similar to an overflow pool. A wide skimmer mouth and a large basket maximize water circulation and skimming efficiency.



## 15L Surface Wall Skimmer EM0180



EM0180SC EM0180SV



EM0180SC EM0180SV

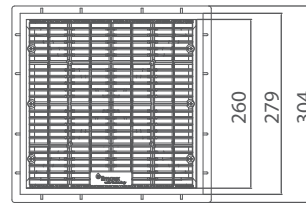
Code	Model	Connection	Application	Flow Rate (L/min)
91601022	EM0180-SC	1.5" and 2" Internal Threaded and 1.5" Solvent Internal	Concrete Pool	150 - 200
91601023	EM0180-SV	1.5" and 2" Internal Threaded and 1.5" Solvent Internal	Vinyl Pool	150 - 200
91601024	EM0180TS-SC	1.5" and 2" Internal Threaded and 1.5" Solvent Internal	Concrete Pool (without brass inserts)	150 - 200
91601025	EM0180TS-SV	1.5" and 2" Internal Threaded and 1.5" Solvent Internal	Vinyl Pool (without brass inserts)	150 - 200

# VGB ANTI-VORTEX MAIN DRAIN

## High Quality Standard

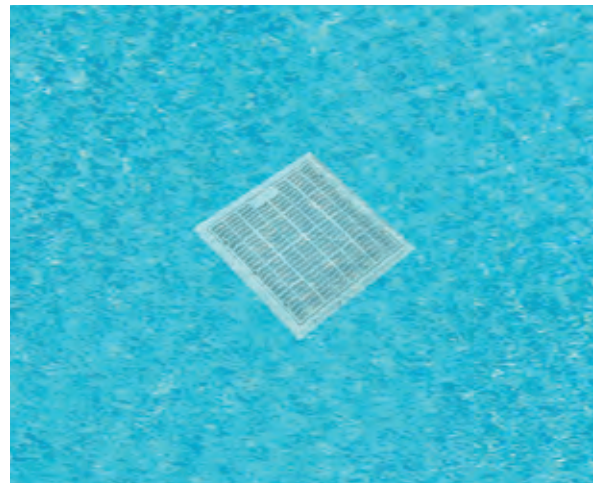
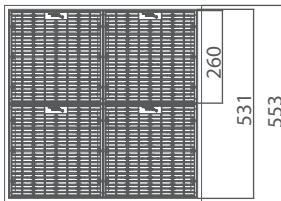
This series of Main Drains comply with provisions of ANSI/APSP-16 2011 standard and the Virginia Graeme Baker Pool and Spa Safety Act. High quality main drains are made of chemical and UV resistant ABS.

### Main Drain (EM2813)



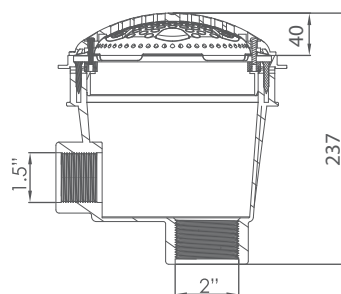
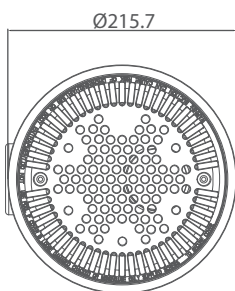
Code	Model	Size	Flow Rate (L/min)
91600509	EM2813	260 x 260mm	900

### Main Drain (EM2816) (with AISI 316 Stainless Steel Frame)



Code	Model	Size	Flow Rate (L/min)
91600510	EM2816	531 x 531mm	3600

### Main Drain (EM2815)

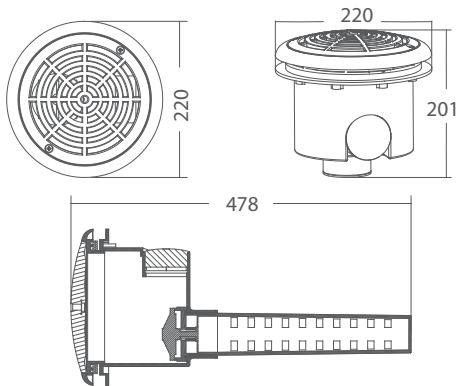


Code	Model	Connection	Application	Flow Rate (L/min)
91600511	EM2815C	1.5" / 2" Internal Threaded	Concrete Pool	240
91600512	EM2815V	1.5" / 2" Internal Threaded	Vinyl Pool	240

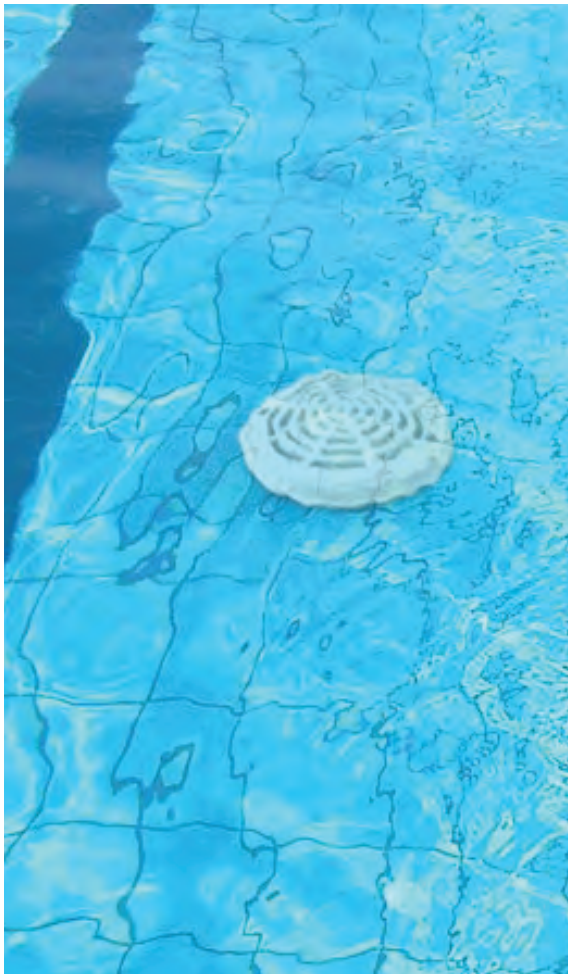


# MAIN DRAIN

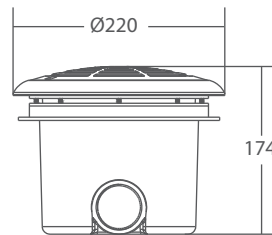
## 2" Main Drain (EM2833)



Code	Model	Connection	Description	Flow Rate (L/min)
91600504	EM2833HC	2" Internal Threaded	For Concrete Pool with Hydrostatic Relief Valve & Collection Tube	240
91600505	EM2833HV	2" Internal Threaded	For Vinyl Pool with Hydrostatic Relief Valve & Collection Tube	240
91600503	EM2833C	2" Internal Threaded	For Concrete Pool	240
91600506	EM2833V	2" Internal Threaded	For Vinyl Pool	240
89140501	--	--	Hydrostatic Relief Valve	N/A
01051155	--	--	Hydrostatic Relief Valve Collection Tube Only	N/A

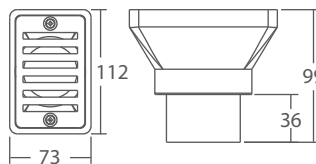


## 1.5" Main Drain



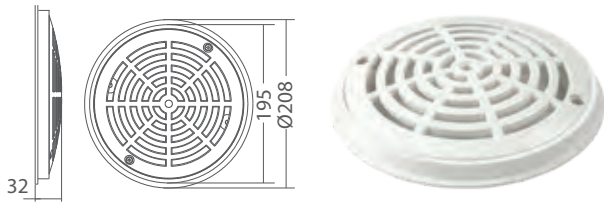
Code	Model	Connection	Application	Flow Rate (L/min)
91600507	EM2832C	1.5" Internal Threaded	Concrete Pool	150
91600508	EM2832V	1.5" Internal Threaded	Vinyl Pool	150

## Gutter Drain



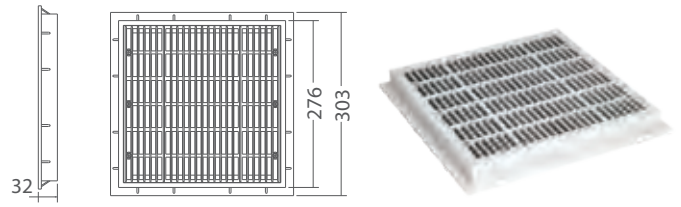
Code	Model	Connection	Measure	Flow Rate (L/min)
91600801	EM2819(A1)	1.25" Solvent	Imperial	92
91600802	EM2819(A2)	1.5" Solvent	Imperial	150
91600803	EM2819(A3)	2" Solvent	Imperial	240
91600804	EM2819(E1)	50mm Solvent	Metric	150
91600805	EM2819(E2)	63mm Solvent	Metric	240

## Round Drain Cover (EM2830)



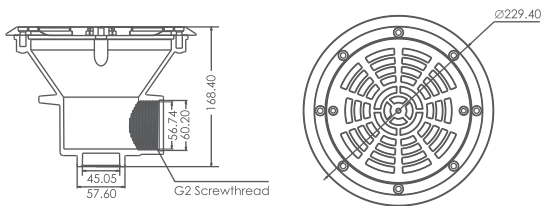
Code	Model	Size	Flow Rate (L/min)
91600502	EM2830	195mm Diameters	558

## Square Drain Cover (EM2812)



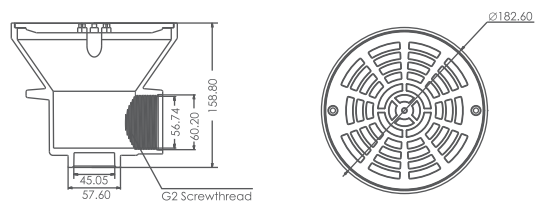
Code	Model	Size	Flow Rate (L/min)
91600501	EM2812	276 x 276 mm	558

## Main Drain EM2837



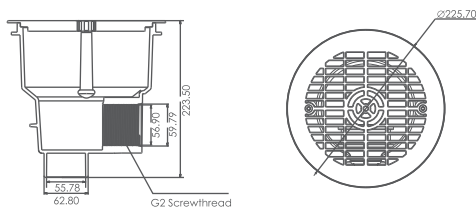
Code	Model	Connection	Application	Flow Rate (L/min)
91600514	EM2837	G2A Internal Threaded	Vinyl and Liner Pool	217
91600523	EM2837TS	G2A Internal Threaded	Vinyl and Liner Pool (without brass inserts)	217

## Main Drain EM2838



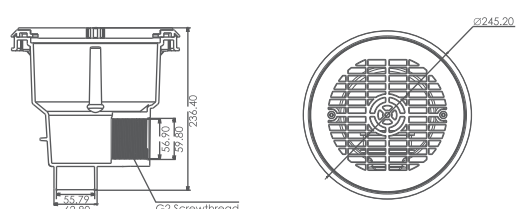
Code	Model	Connection	Application	Flow Rate (L/min)
91600515	EM2838	G2A Internal Threaded	Concrete Pool	217

## Main Drain EM2839



Code	Model	Connection	Application	Flow Rate (L/min)
91600516	EM2839	G2A Internal Threaded	Concrete Pool	217

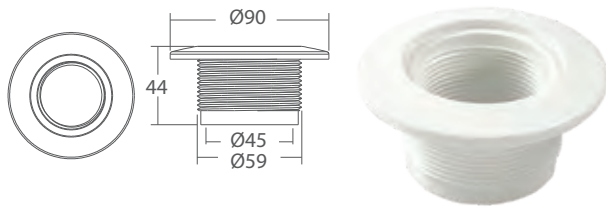
## Main Drain EM2840



Code	Model	Connection	Application	Flow Rate (L/min)
91600517	EM2840	G2A Internal Threaded	Vinyl Pool	217

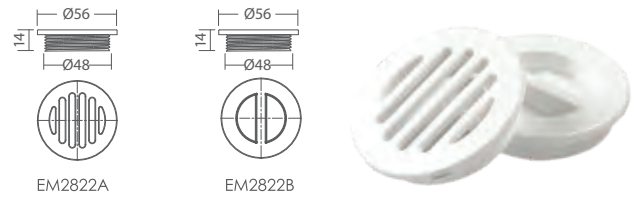
# SUCTION FITTING AND VACUUM

## Suction Fitting



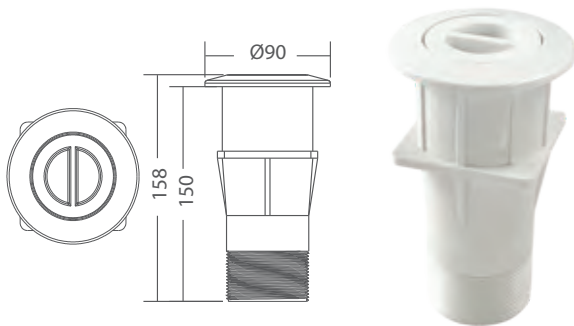
Code	Model	Flow Rate (L/min)
91601501	EM2822	150

## Cover of Suction Fitting



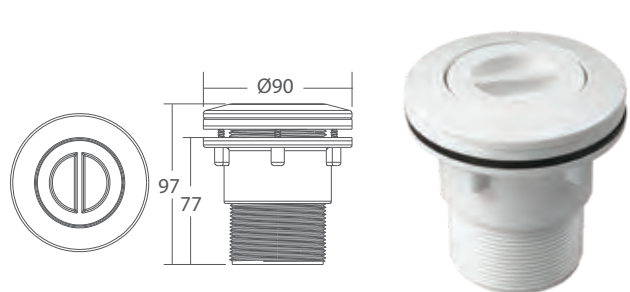
Code	Model	Flow Rate (L/min)
91601502	EM2822A	115
91601503	EM2822B	Nil

## Vacuum Fitting (EM2827C) (Concrete Pool)



Code	Model	Connection	Measure	Flow Rate (L/min)
91601504	EM2827C(A)	1.5"	Imperial	150
91601506	EM2827C(E)	50mm	Metric	150

## Vacuum Fitting (EM2827V) (Vinyl Pool)



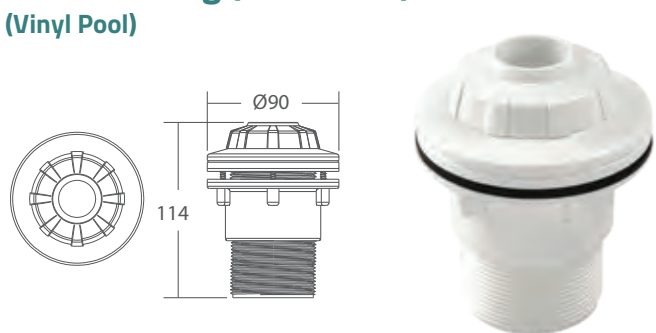
Code	Model	Connection	Measure	Flow Rate (L/min)
91601505	EM2827V(A)	1.5"	Imperial	150
91601507	EM2827V(E)	50mm	Metric	150

## Outlet Fitting (EM2828C) (Concrete Pool)



Code	Model	Connection	Measure	Flow Rate (L/min)
91601201	EM2828C(A)	1.5"	Imperial	69
91601203	EM2828C(E)	50mm	Metric	69

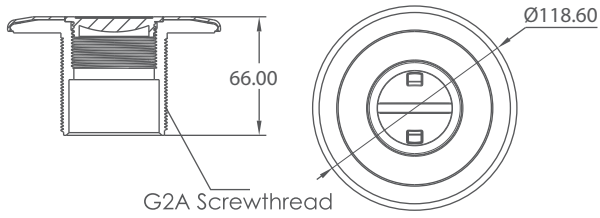
## Outlet Fitting (EM2828V) (Vinyl Pool)



Code	Model	Connection	Measure	Flow Rate (L/min)
91601202	EM2828V(A)	1.5"	Imperial	69
91601204	EM2828V(E)	50mm	Metric	69

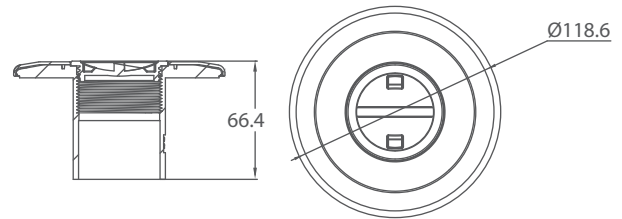


## Vacuum Fitting (EM2831) Concrete Pool



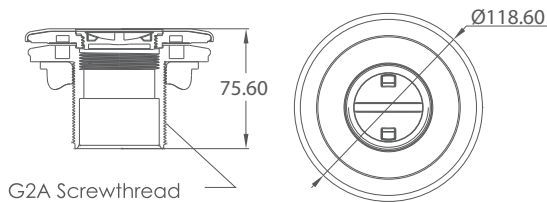
Code	Model	Connection	Flow Rate (L/min)
91601508	EM2831(A)	1.5" Solvent, G2A Screwthread	150-240
91601509	EM2831(E)	50mm Solvent, G2A Screwthread	150-240

## Vacuum Fitting (EM2848) (Concrete Pool)



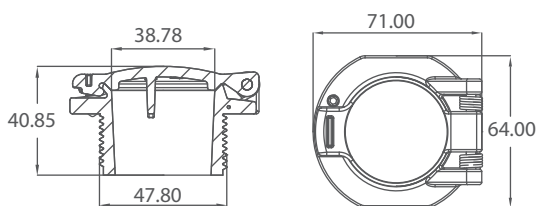
Code	Model	Connection	Measure	Flow Rate (L/min)
91601518	EM2848(A)	1.5" / 2" Class 12 Solvent	Imperial	150-240
91601520	EM2848(A1)	2" Class 15 Solvent	Imperial	150-240
91601519	EM2848(E)	50mm / 63mm PN10 Solvent	Metric	150-240
91601521	EM2848(E1)	63mm PN16 Solvent	Metric	150-240

## Vacuum Fitting (EM2836) (Vinyl Pool)

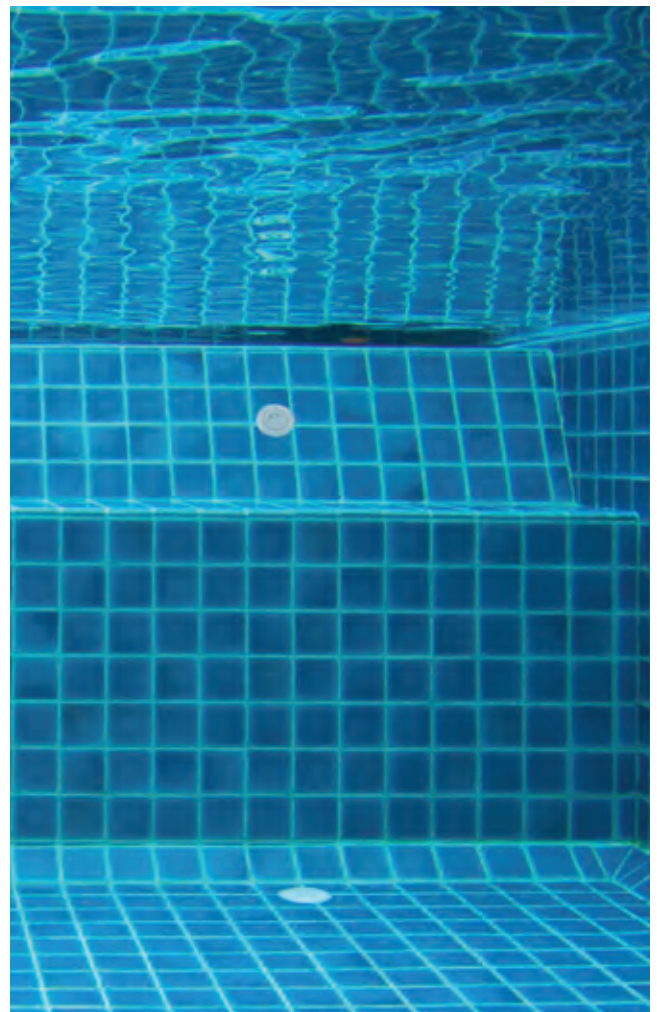


Code	Model	Connection	Brass Inserts	Flow Rate (L/min)
91601510	EM2836A	1.5" Solvent, G2A Screwthread	Yes	150-240
91601511	EM2836E	50mm Solvent, G2A Screwthread	Yes	150-240
91601516	EM2836A TS	1.5" Solvent, G2A Screwthread	No	150-240
91601517	EM2836E TS	50mm Solvent, G2A Screwthread	No	150-240

## Vacuum Lock Safety Wall Fitting (EM2855)



Code	Model	Connection	Measure	Flow Rate (L/min)
91601522	EM2855	38mm Solvent, G1.5A Screwthread	Imperial	150-240

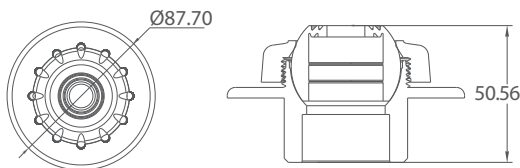


# Inlet Fittings

## RETURN INLET

### Return Inlet (EM4408)

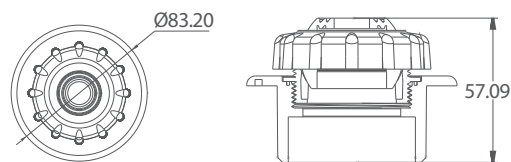
1. For concrete pool
2. Adjustable angle



Code	Model	Connection	Flow Rate (L/min)
91601211	EM4408(A)	1"/1.5" Class 12 Solvent	50/150
91601234	EM4408(A1)	1"/1.5" Class 15 Solvent	50/150
91601212	EM4408(E)	32mm/50mm PN10 Solvent	50/150
91601235	EM4408(E1)	32mm/50mm PN16 Solvent	50/150

### Return Inlet (EM4409)

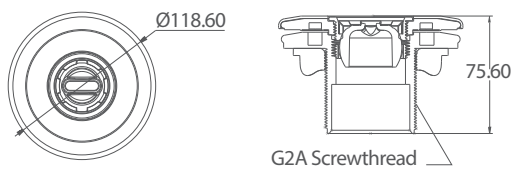
1. For concrete pool
2. Adjustable angle



Code	Model	Connection	Flow Rate (L/min)
91601213	EM4409(A)	1.5"/2" Class 12 Solvent	150/240
91601236	EM4409(A1)	2" Class 15 Solvent	150/240
91601214	EM4409(E)	50mm/63mm PN10 Solvent	150/240
91601237	EM4409(E1)	63mm PN16 Solvent	150/240

### Return Inlet (EM4412)

1. For vinyl pool
2. Recommended wall conduit EM2842
3. Adjustable angle



Code	Model	Connection	Brass Inserts	Flow Rate (L/min)
91601219	EM4412(A)	1.5" Solvent, G2A Screwthread	Yes	150
91601220	EM4412(E)	50mm Solvent, G2A Screwthread	Yes	150
91601227	EM4412A TS	1.5" Solvent, G2A Screwthread	No	150
91601228	EM4412E TS	50mm Solvent, G2A Screwthread	No	150

### Return Inlet (EM4413)

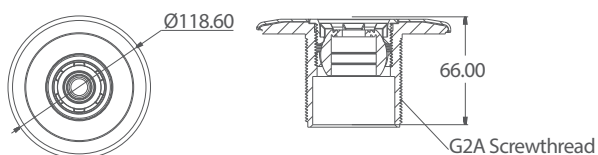
1. For concrete pool
2. Adjustable angle



Code	Model	Connection	Flow Rate (L/min)
91601221	EM4413(A)	1.5"/2" Class 12 Solvent	150
91601238	EM4413(A1)	2" Class 15 Solvent	150
91601222	EM4413(E)	50mm/63mm PN10 Solvent	150
91601239	EM4413(E1)	63mm PN16 Solvent	150

### Return Inlet (EM4410)

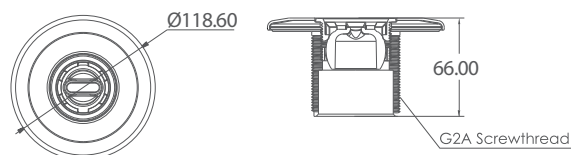
1. For concrete pool
2. Recommended wall conduit EM2841/EM2842
3. Adjustable angle



Code	Model	Connection	Flow Rate (L/min)
91601215	EM4410(A)	1.5" Solvent, G2A Screwthread	150
91601216	EM4410(E)	50mm Solvent, G2A Screwthread	150

### Return Inlet (EM4411)

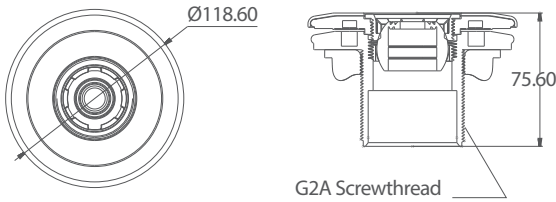
1. For concrete pool
2. Recommended wall conduit EM2841/EM2842
3. Adjustable angle



Code	Model	Connection	Flow Rate (L/min)
91601217	EM4411(A)	1.5" Solvent, G2A Screwthread	150
91601218	EM4411(E)	50mm Solvent, G2A Screwthread	150

## Return Inlet (EM4414)

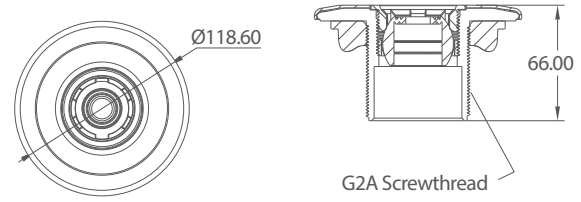
1. For vinyl pool
2. Recommended wall conduit EM2842
3. Adjustable angle



Code	Model	Connection	Brass Inserts	Flow Rate (L/min)
91601223	EM4414(A)	1.5" Solvent, G2A Screwthread	Yes	150
91601224	EM4414(E)	50mm Solvent, G2A Screwthread	Yes	150
91601229	EM4414A TS	1.5" Solvent, G2A Screwthread	No	150
91601230	EM4414E TS	50mm Solvent, G2A Screwthread	No	150

## Return Inlet (EM4415)

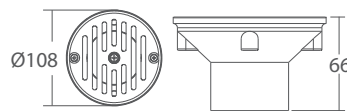
1. For vinyl pool
2. Recommended wall conduit EM2842
3. Adjustable angle



Code	Model	Connection	Flow Rate (L/min)
91601225	EM4415(A)	1.5" Solvent, G2A Screwthread	150
91601226	EM4415(E)	50mm Solvent, G2A Screwthread	150

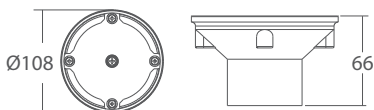
## WALL RETURN

### Wall Return (EM2824)



Code	Model	Connection	Measure	Flow Rate (L/min)
91600806	EM2824(A1)	1.25" Solvent	Imperial	92
91600807	EM2824(A2)	1.5" Solvent	Imperial	150
91600808	EM2824(A3)	2" Solvent	Imperial	240
91600809	EM2824(E1)	50mm Solvent	Metric	150
91600810	EM2824(E2)	63mm Solvent	Metric	240
91600828	EM2824(A4)	1.5"/2" Class 12	Imperial	240

### Wall Return (EM2825)



Code	Model	Connection	Measure	Flow Rate (L/min)
91600811	EM2825(A1)	1.25" Solvent	Imperial	92
91600813	EM2825(A2)	1.5" Solvent	Imperial	150
91600812	EM2825(A3)	2" Solvent	Imperial	240
91600814	EM2825(E1)	50mm Solvent	Metric	150
91600815	EM2825(E2)	63mm Solvent	Metric	240
91600829	EM2825(A4)	1.5"/2" Class 12	Imperial	240

### Wall Return (EM2826)



Code	Model	Connection	Measure	Flow Rate (L/min)
91600816	EM2826(A1)	1.5" Class 12	Imperial	122
91600817	EM2826(A2)	2" Class 12	Imperial	200
91600818	EM2826(E1)	50mm PN10	Metric	150

# FLOOR INLET

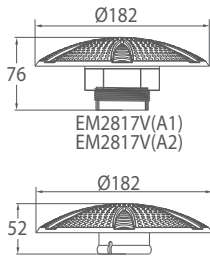
## Floor Inlet (EM2817)

Safety Suction Cover

Comply with Australian standard: AS 1926.3-2012

1.5" test no.: 8180009

2" test no.: 817024.2



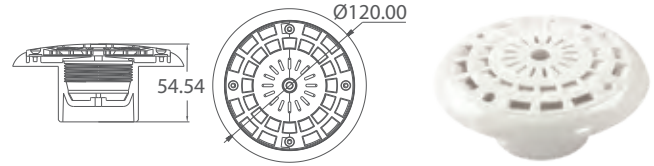
EM2817V(A1)  
EM2817V(A2)



EM2817C(A1) / EM2817C(A2)  
EM2817C(E1) / EM2817C(E2)

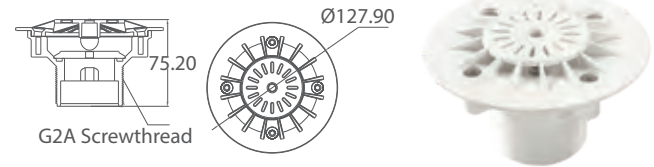
Code	Model	Connection	Application	Flow Rate (L/min)
91600520	EM2817V(A1)	1.5" Solvent	Vinyl Pool	328
91600521	EM2817V(A2)	2.0" Solvent	Vinyl Pool	328
91600518	EM2817C(A1)	1.5" Class 12	Concrete Pool	328
91600519	EM2817C(A2)	2.0" Class 9	Concrete Pool	328
91600526	EM2817C(A3)	1.5" Class 15	Concrete Pool	328
91600527	EM2817C(A4)	2.0" Class 15	Concrete Pool	328
91600530	EM2817C(A5)	1.5" Class 9	Concrete Pool	328
91600531	EM2817C(A6)	2.0" Class 12	Concrete Pool	328
91600524	EM2817C(E1)	50mm PN10	Concrete Pool	328
91600525	EM2817C(E2)	63mm PN10	Concrete Pool	328
91600528	EM2817C(E3)	50mm PN16	Concrete Pool	328
91600529	EM2817C(E4)	63mm PN16	Concrete Pool	328

## Floor Inlet (EM2861)



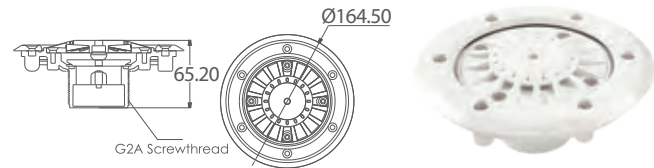
Code	Model	Connection	Application	Flow Rate (L/min)
91600819	EM2861(A)	2" Class 12 Solvent	Concrete Pool	200
91600826	EM2861(A1)	2" Class 15 Solvent	Concrete Pool	200
91600820	EM2861(E)	63mm PN10 Solvent	Concrete Pool	200
91600827	EM2861(E1)	63mm PN16 Solvent	Concrete Pool	200

## Floor Inlet (EM2862)



Code	Model	Connection	Application	Flow Rate (L/min)
91600821	EM2862(A)	1.5" Solvent, G2A Screwthread	Concrete Pool	200
91600822	EM2862(E)	GB50 Solvent, G2A Screwthread	Concrete Pool	200

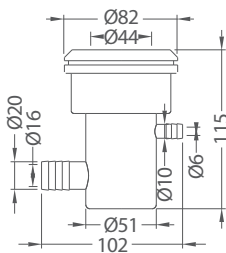
## Floor Inlet (EM2863)



Code	Model	Connection	Application	Flow Rate (L/min)
91600823	EM2863(A)	1.5" Solvent, G2A Screwthread	Vinyl Pool	200
91600824	EM2863(E)	GB50 Solvent, G2A Screwthread	Vinyl Pool	200

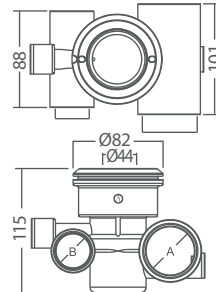
# SPA JET, EYEBALL JET AND JET BODY

## φ10mm Barb Air & φ20mm Barb Water, Ell Body



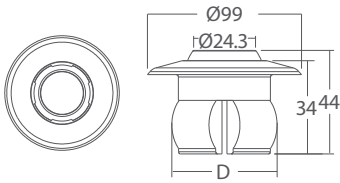
Code	Model	Flow Rate (L/min)
88100112	EM0021	53

## φ32mm Air & φ50mm Water, Tee Body



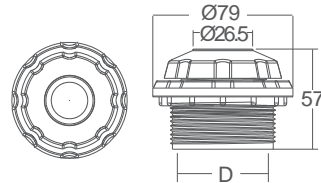
Code	Model	A	B	Flow Rate (L/min)
91601302	EM0031(A)	1.5"	1"	76
91601303	EM0031(E)	50mm	32mm	76

## Eyeball Standard Jet



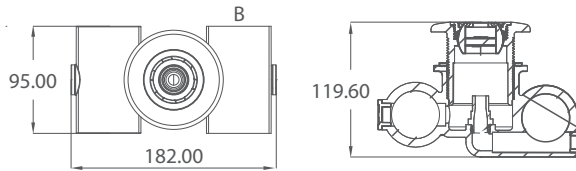
Code	Model	D	Flow Rate (L/min)
91601205	EM3301(A1)	1.5" Class 12	69
91601206	EM3301(A2)	2" Class 12	69
91601207	EM3301(E1)	50mm PN10	69
91601240	EM3301(E2)	50mm PN16	69

## Eyeball Jet



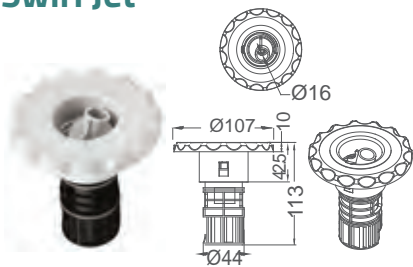
Code	Model	D	Flow Rate (L/min)
91601208	EM3302(A)	1.5"	69
91601209	EM3302(E)	50mm	69

## Concrete Spa Jet (1.5" 50mm air & water)



Code	Model	B	Flow Rate (L/min)
91601241	EM4419(A)	1.5"	50
91601242	EM4419(E)	50mm	50

## Swirl Jet



Code	Model	Flow Rate (L/min)
88090712	EM0018	17

## Swirl Jet



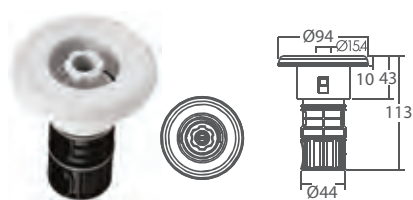
Code	Model	Flow Rate (L/min)
88090512	EM0028	17

## Standard Jet



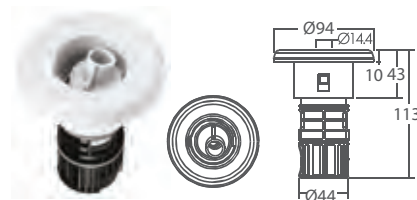
Code	Model	Flow Rate (L/min)
88090412	EM0034	17

## Smooth Face Standard Jet



Code	Model	Flow Rate (L/min)
88090812	EM0044	17

## Smooth Face Swirl Jet



Code	Model	Flow Rate (L/min)
88090912	EM0048	17

## Standard Jet



Code	Model	Flow Rate (L/min)
88090612	EM0064	17

# Grating System

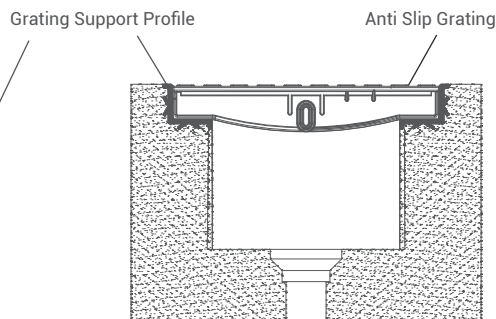
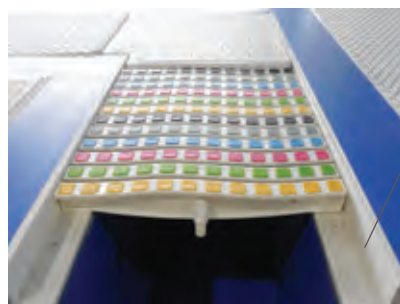
## TPV ANTISKID GRATING (DE27 Series)

### Anti-slip, safe, durable and universal

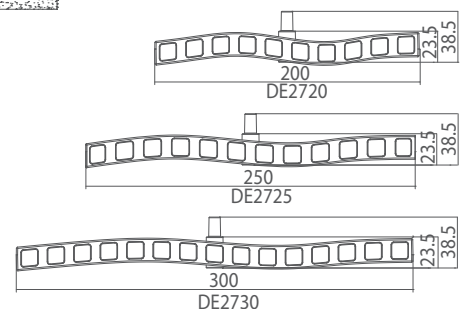
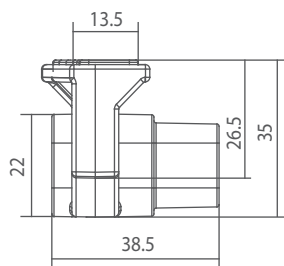
This antiskid grating is designed for professional applications. The single spine grating is suitable for straight and curve overflow pools. The anti-slip coloured top offer extra comfort and maximize safety for the swimmers.

### Product Features

1. Materials : Polypropylene (PP) + Glass Filled
2. Anti-slip materials: Thermoplastic Vulcanizate(TPV)
3. Durable, UV resistant
4. Standard color : White / Blue
5. MOQ required for other colors

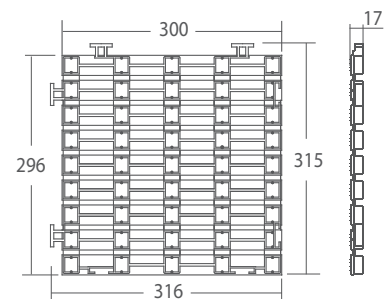
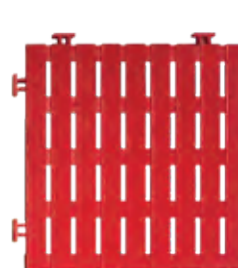


Code	Model	Colour	Size
88171001	DE2720W	White	200 x 26.5 mm (1m)
88171008	DE2720B	Blue	200 x 26.5 mm (1m)
88171101	DE2725W	White	250 x 26.5 mm (1m)
88171108	DE2725B	Blue	250 x 26.5 mm (1m)
88171201	DE2730W	White	300 x 26.5 mm (1m)
88171208	DE2730B	Blue	300 x 26.5 mm (1m)



## FLOOR PAD (DE30 Series)

The floor pad is made of high-strength corrosion proof PVC that resists chipping and cracking. It is portable and can be easily installed on a pool deck or changing room floor. The colourful floor pads create a soft and nonslip surface to ensure the safety of your facility.



Code	Model	Color	Size
88160112	DE3030	White	300 x 300 mm
88160106	DE3030	Red	300 x 300 mm
88160107	DE3030	Yellow	300 x 300 mm
88160108	DE3030	Blue	300 x 300 mm
88160109	DE3030	Green	300 x 300 mm

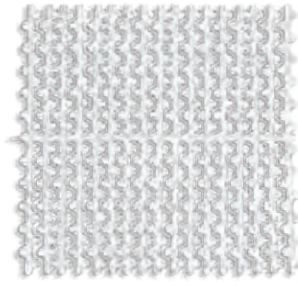


### Product Features

1. Materials : PVC
2. Standard color : White / Blue
3. Other colours available for order up to 500 metres

# TRANSVERSAL PP GRATING (DE28 Series)

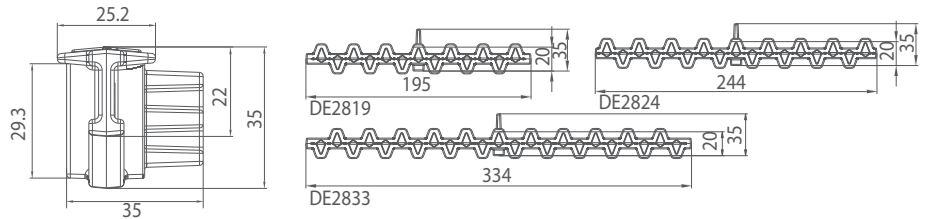
This transversal grating offer safety grip and minimize the gap to prevent injury. It can be used in commercial and residential pools. This sturdy and cost-effective gratings have been used in many overflow systems.



Code	Model	Size
91600713	DE2819	195 x 22 mm (1m)
91600714	DE2824	244 x 22 mm (1m)
91600715	DE2833	334 x 22 mm (1m)

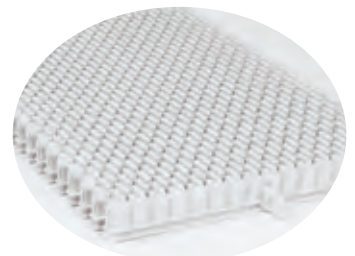
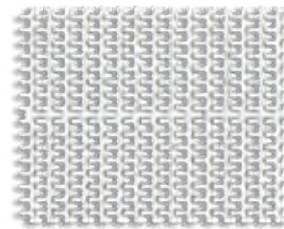
## Product Features

1. Materials : Glass filled PP
2. Standard color : White
3. Other colours available for order up to 500 metres

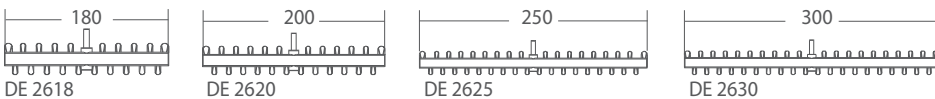
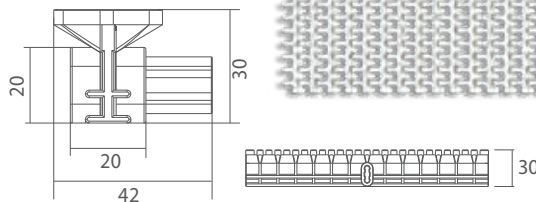


# ZIGZAG TYPE GRATING (DE26 Series)

This Zigzag type grating has a heavy-duty construction that offers a long product life. The zigzag shape provides a smooth surface and solid support in both straight and curved installation.



Code	Model	Size
88170612	DE2618	180 x 30 mm (1m)
88170712	DE2620	200 x 30 mm (1m)
88170812	DE2625	250 x 30 mm (1m)
88170912	DE2630	300 x 30 mm (1m)

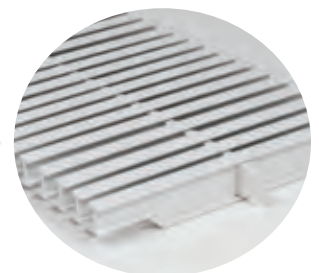


## Product Features

1. Materials : ABS
2. Standard color : White
3. Other colours available for order up to 500 metres

# CURVABLE PP GRATING (DE29 Series)

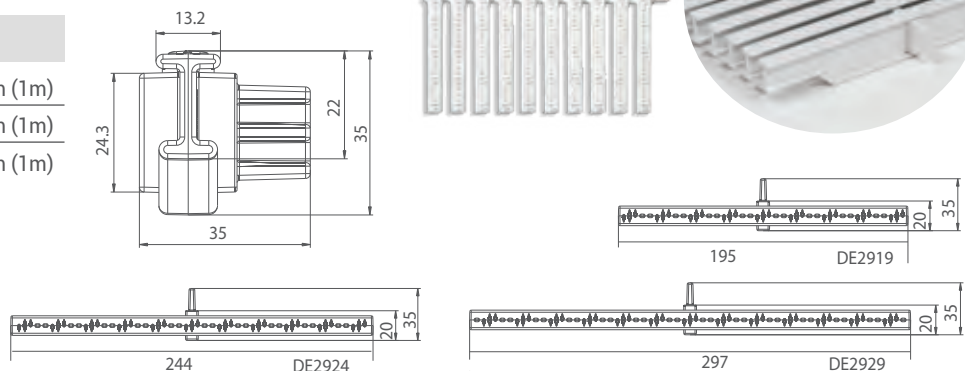
This modern design curvable grating is made of PP material to achieve both sturdy and cost-effective. It has the most popular dimensions and functions to fit in your designs of different pool shapes.



Code	Model	Size
91600716	DE2919	195 x 22 mm (1m)
91600717	DE2924	244 x 22 mm (1m)
91600718	DE2929	297 x 22 mm (1m)

## Product Features

1. Materials : Glass filled PP
2. Standard color : White
3. Other colours available for order up to 500 metres



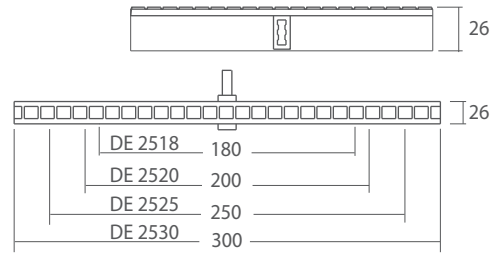
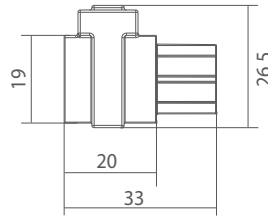
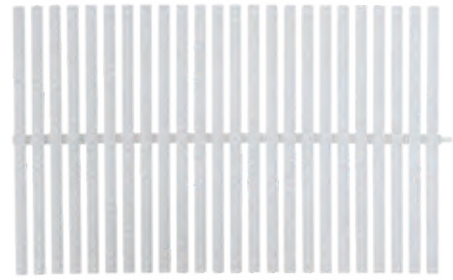
# CURVABLE GRATING (DE25 Series)

This curvable grating snaps together by a single spine permitting maximum flexibility. It can be easily adapted to most free-form pool shapes. The nonslip surface and solid support increase the grating's safety and durability.

## Product Features

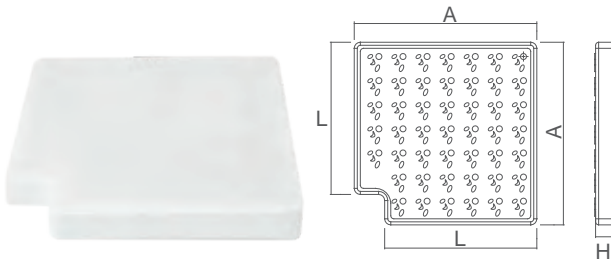
1. Materials : ABS
2. Standard color : White
3. Other colours available for order up to 500 metres

Code	Model	Size
88170212	DE2518	180 x 26 mm (1m)
88170312	DE2520	200 x 26 mm (1m)
88170412	DE2525	250 x 26 mm (1m)
88170512	DE2530	300 x 26 mm (1m)



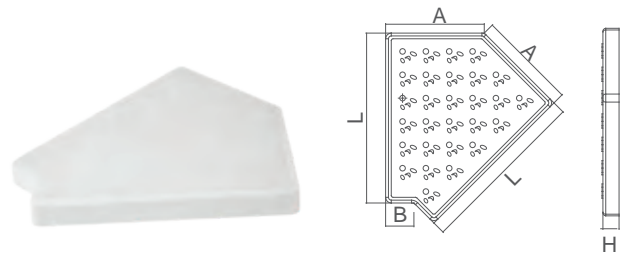
# CORNER TILE AND PROFILE

## 90° Fiberglass Corner Tile (FT30 Series)



Code	Model	A mm	H mm	L mm
88470101	FT3090	350	28.5	300
88470301	FT2590	300	28.5	250
88470501	FT2090	250	28.5	200

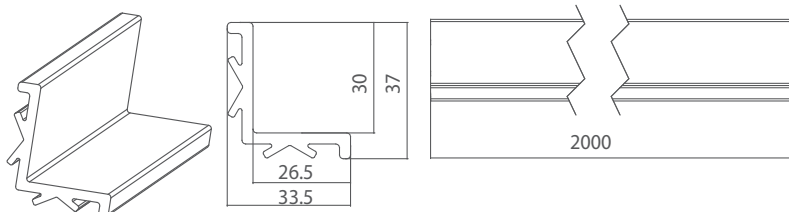
## 45° Fiberglass Corner Tile (FT30 Series)



Code	Model	A mm	B mm	H mm	L mm
88470201	FT3045	174	50	28.5	300
88470401	FT2545	154	50	28.5	250
88470601	FT2045	133	50	28.5	200

## Grating Support Profile

Supplied in lengths of 2 metres. Suitable for 26.5mm and 30mm high grating.



Code	Description
01150047	Grating Support Profile 2 metres

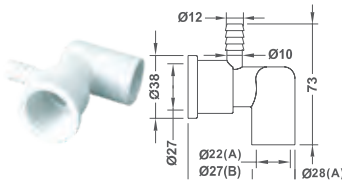






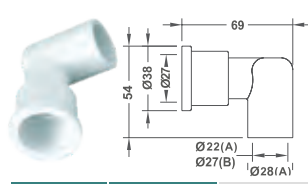
# Spa Fittings

## L-Type Jet Body



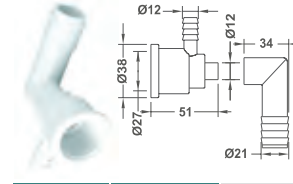
Code	Model No.	Material
88100812	EM2201A	PVC
88100912	EM2201B	PVC

## L-Type Jet Body



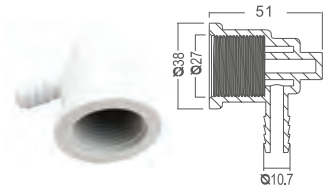
Code	Model No.	Material
88101012	EM2202A	PVC
88101112	EM2202B	PVC

## L-Type Jet Body



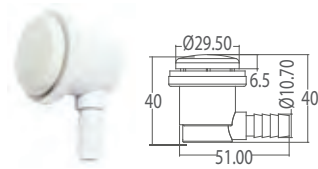
Code	Model No.	Material
88101212	EM2203	PVC

## L-Type Jet Body



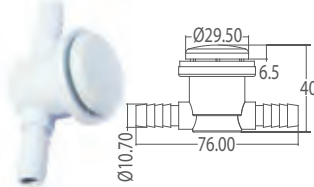
Code	Model No.	Material
88101312	EM2204	PVC

## Single Hole Air Jet



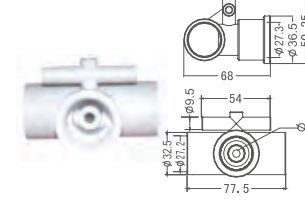
Code	Model No.	Material
88100612	EM1159	PVC

## Twin Hole Air Jet



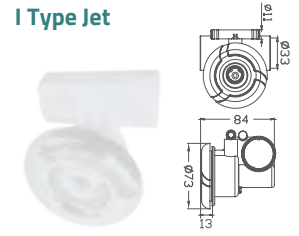
Code	Model No.	Material
88100712	EM1160	PVC

## Tiny Air Jet



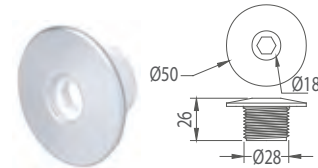
Code	Model No.	Material
88100512	EM1158	PVC

## I Type Jet



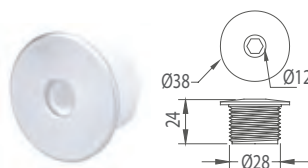
Code	Model No.	Material
88091212	EM1144	ABS&PVC

## φ2" Face (Standard) Jet



Code	Model No.	Material
88091512	EM2207	ABS

## φ1-1/2" Face (Standard) Jet



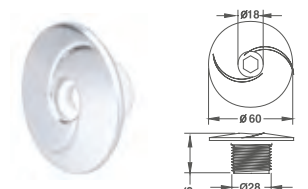
Code	Model No.	Material
88091612	EM2208	ABS

## φ1-1/2" Face (Radial) Jet



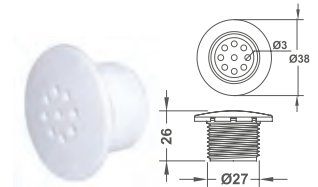
Code	Model No.	Material
88091712	EM2209	PVC

## φ2" Face (Spiral) Jet



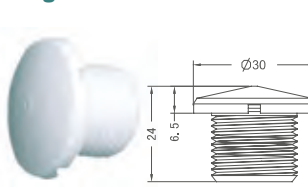
Code	Model No.	Material
88091812	EM2210	PVC

## Nine Hole Jet

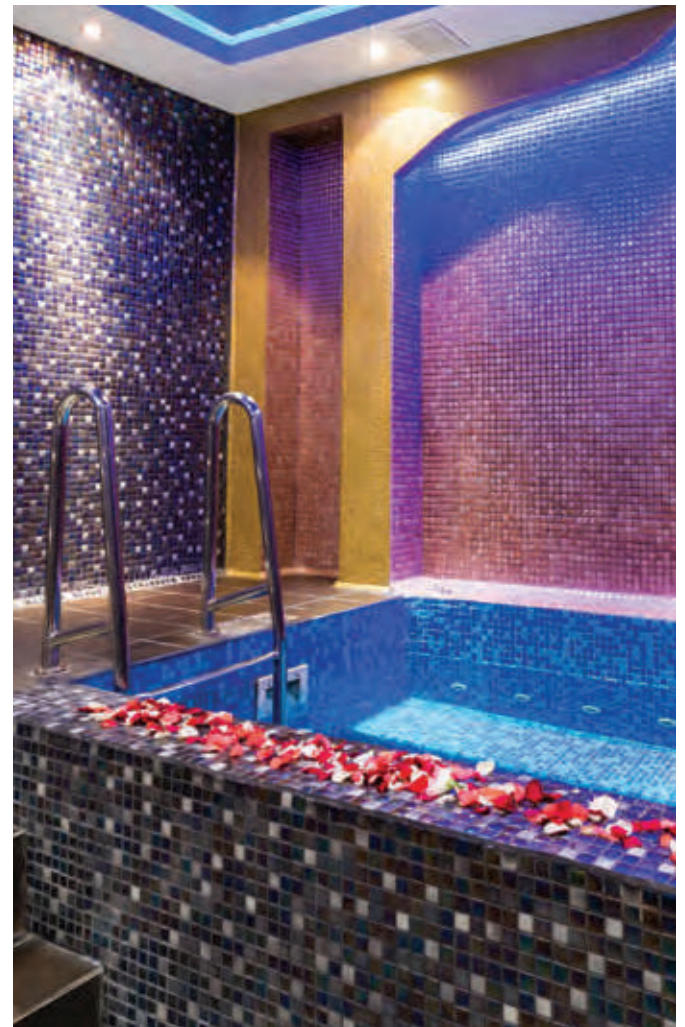


Code	Model No.	Material
88091912	EM2211	ABS

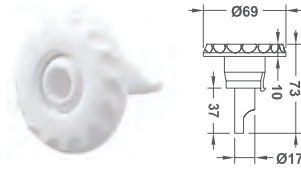
## Single Hole Jet



Code	Model No.	Material
88092012	EM2212	ABS&PVC

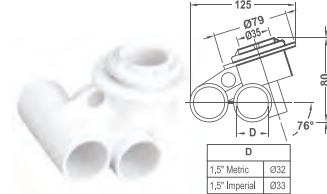


**φ2-3/4" Vortex Face  
Eyeball Spa Jet**



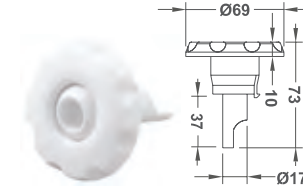
Code	Model No.	Material
88091112	EM1123	PVC

**φ25mm Barb Air & φ25mm  
Water Tee Body**



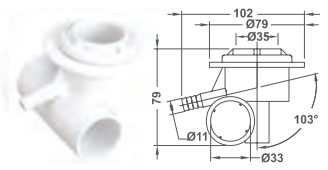
Code	Model No.	Material
88100312	EM1138	PVC

**φ2-3/4" Face  
Eyeball Spa Jet**



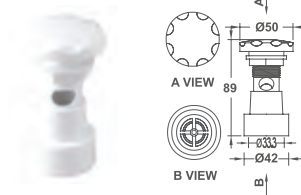
Code	Model No.	Material
88091012	EM1113	PVC

**φ10mm Barb Air &  
φ25mm Water**



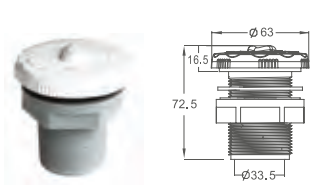
Code	Model No.	Material
88100412	EM1148	PVC

**φ25mm Air Control**



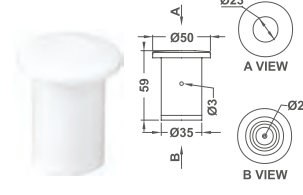
Code	Model No.	Material
88210112	EM1834	ABS

**Standard Air Control**



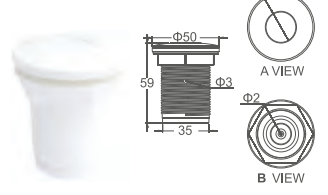
Code	Model No.	Material
88210212	EM1835	ABS

**Air Button**



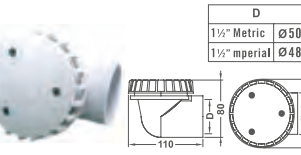
Code	Model No.	Material
88200112	EM1844	ABS

**Air Button**



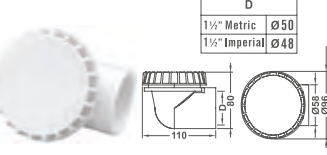
Code	Model No.	Material
88200212	EM1845	ABS

**φ2 Section Drain  
Ell Body(Threaded)**



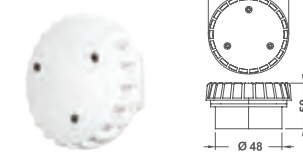
Code	Model No.	Material
88240212	EM3822A	ABS&PVC

**φ2 Section Drain  
Ell Body(Slip Fit)**



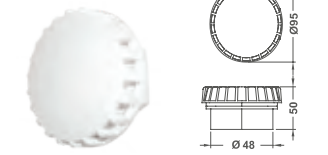
Code	Model No.	Material
88240312	EM3822B	ABS&PVC

**φ2 Section Drain Straight  
Body(with Bolt)**



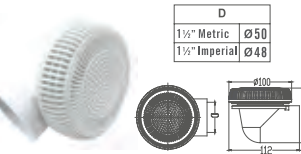
Code	Model No.	Material
88240412	EM3833A	ABS&PVC

**φ2 Section Drain  
Straight Body**



Code	Model No.	Material
88240512	EM3833B	ABS&PVC

**Swirl Type  
Water Return**



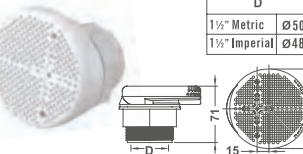
Code	Model No.	Material
88240612	EM3844	ABS&PVC

**Water Return**



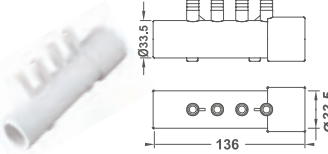
Code	Model No.	Material
88240812	EM3845	ABS&PVC

**φ2 Section Drain  
Lock Nut**



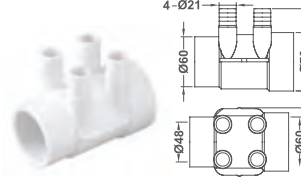
Code	Model No.	Color	Material
88240112	EM3811	White	ABS&PVC
88240102	EM3811	Grey	ABS&PVC

**Port Air  
Manifold**



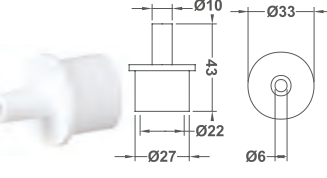
Code	Model No.	Material
88180212	EM1825	ABS

**Port Water Barb  
Manifold**



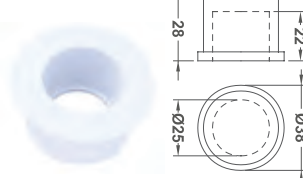
Code	Model No.	Material
88180112	EM1824	ABS

**Barb Plug**



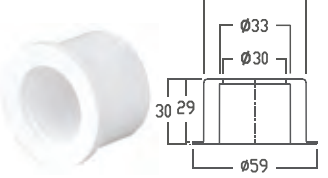
Code	Model No.	Material
88190212	EM1816	PVC

**Pipe Plug**



Code	Model No.	Material
88190512	EM1818B	PVC

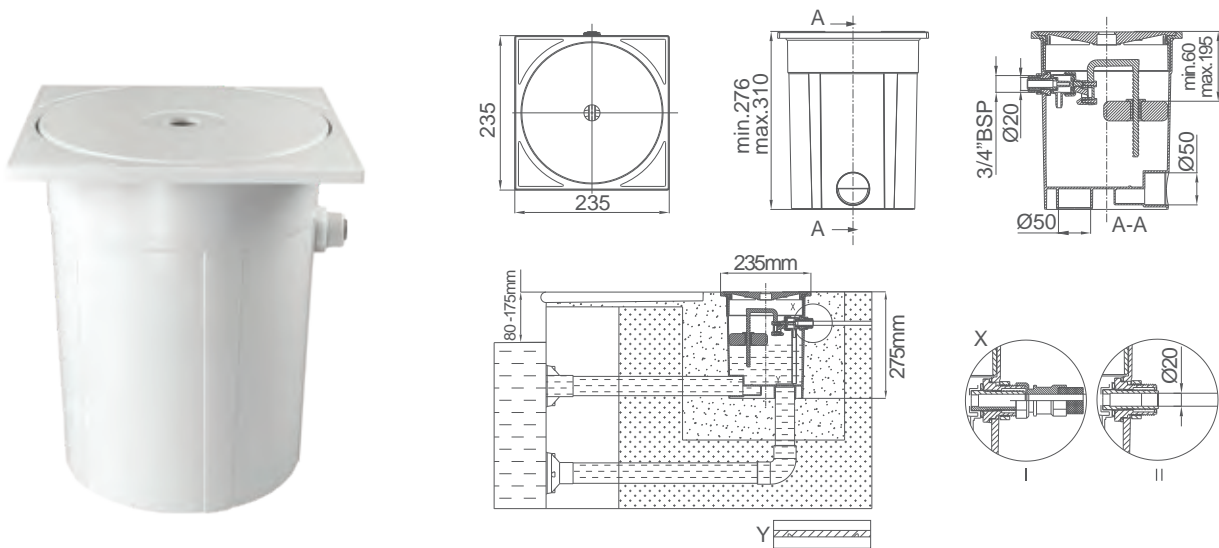
**Pipe Plug**



Code	Model No.	Material
88190312	EM1818A	PVC

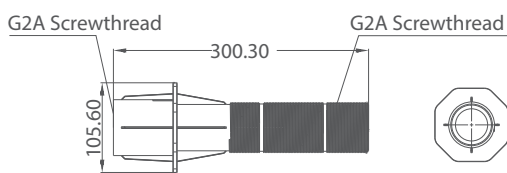
# Other Equipment

## Water Level Regulator



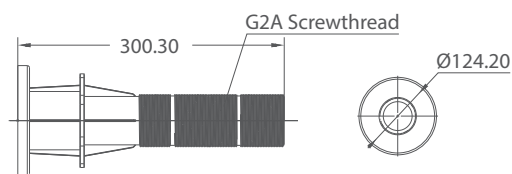
Code	Model	Color	Material	Connection	Flow Rate (L/min)
88570203	RO-7	White	ABS	Inlet: $\varnothing 20\text{mm}$ or 3/4" BSP, Outlet: $\varnothing 50\text{mm}$	30 - 50

## Conduit EM2841



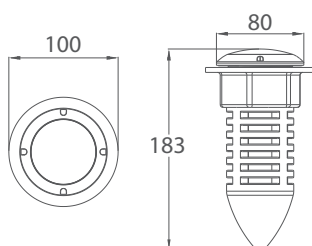
Code	Model	Connection	Application	Flow Rate (L/min)
91602501	EM2841	1.5"/50mm Solvent, G2A Screwthread	Concrete Pool	150-240

## Conduit EM2842



Code	Model	Connection	Application	Flow Rate (L/min)
91602502	EM2842	1.5"/50mm Solvent, G2A Screwthread	Vinyl Pool	150-240

## Hydrostatic Valve for Fiberglass Pool EM2510



Code	Model	Description	Flow Rate (L/min)
91600401	EM2510	Hydrostatic Valve for Fiberglass Pool	150-240



# WATER FEATURES

BRING YOUR POOL ALIVE AND MAKE IT INTERESTING

---

Water features provide not only relaxation but also aesthetic and audible appeal, fun and enjoyment. At Emaux we manufacture a wide range of water descents for different sizes and effects for your pool, spa, and garden ponds. Our counter-current swim systems for underwater massage and exercise ensure endless no lap swimming avoiding unnecessary tumble turns.

# Water Descent

Five models for different water effects

LED Strip Power

12V DC

Remote Control

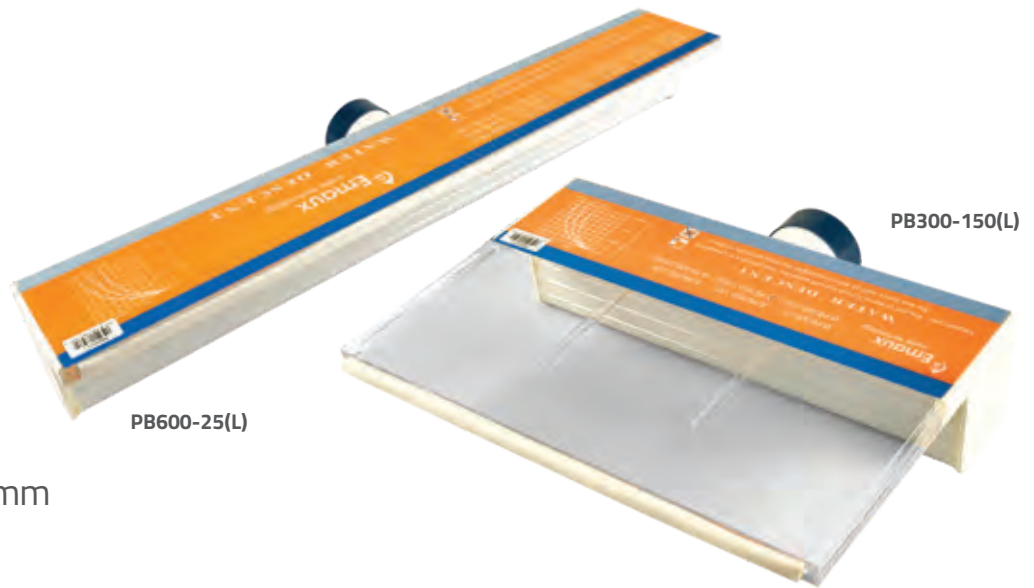
10 Lighting Patterns

Widths

25/150 mm

Lengths

300/600/900/1200mm



## MAKE YOUR POOL ALIVE!

Water Descent is one of the most beautiful ornamental features for your pool or spa. Creating a water movement in your pool, it may be adjusted from a peaceful sheet of water falling into the pool, to a relaxing water massage for your back, adding elegance and style to your pool. Available in five different models, you can enjoy different water effects and trajectories, from our standard waterfall, to rain sheer or arc trajectory.

With the optional RGB LED strip, the unit provides you vibrant colorful waterfall which adds visual interest and soothing sound of flowing water to your landscape.

### Features

1. Available in two different widths: 25 mm and 150 mm, they are suitable for different wall sizes.
2. Four different lengths: 300 mm, 600 mm, 900 mm, and 1200mm.
3. LED strip is powered by external 12V DC, which is safe and reliable.
4. The LEDs can be operated through panel or remote control and 10 lighting patterns are available.
5. Multiple water descents can share the same controller for synchronized color effects



# LED Water Descent Control Box

Instead of using fiber optics, the LED strip is built into the unit placing the light source as close as possible to the waterfall. This design creates a wonderful illumination to the water falling into the pool.

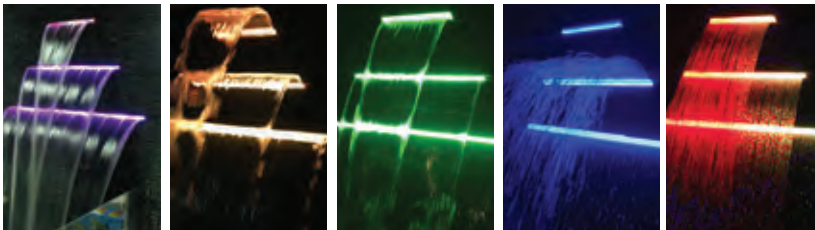
10 pre-programmed LED lighting effects allow you to create the best luminous water features in your hands.

## 5 different models available for different water effects:

1. PB Series: Sheet of water with standard trajectory.
2. PBA Series: Sheet of water with arc trajectory.
3. PBS Series: Sheet of water with sheer trajectory.
4. RA Series: Rain fall effect with arc trajectory.
5. RS Series: Rain fall effect with sheer trajectory.



## VIBRANT COLORFUL WATERFALL



PB Series

PBA Series

PBS Series

RA Series

RS Series

## Production information

Code: 08080035

Model: WTD-CB

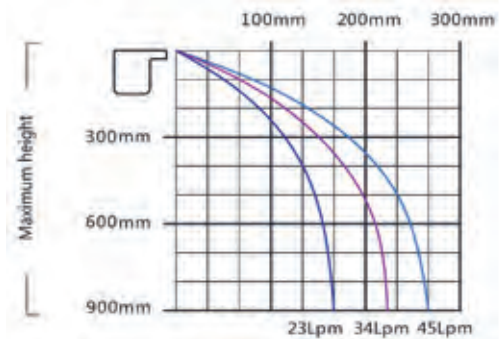
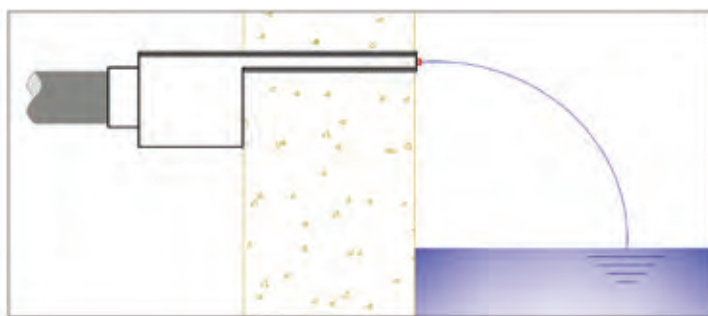
Input power: 110-220V AC±15%; 50/60Hz

Output power: 12V DC: 60W

With remote controller

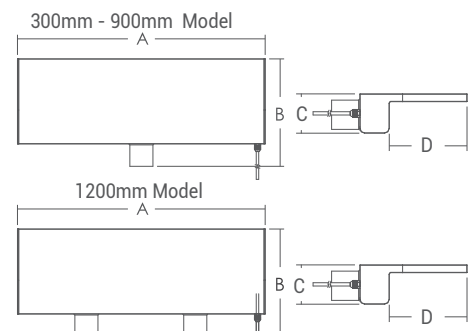
## PB Series

This model provides an excellent water effect with a fine sheet of water falling like a mountain spring waterfall



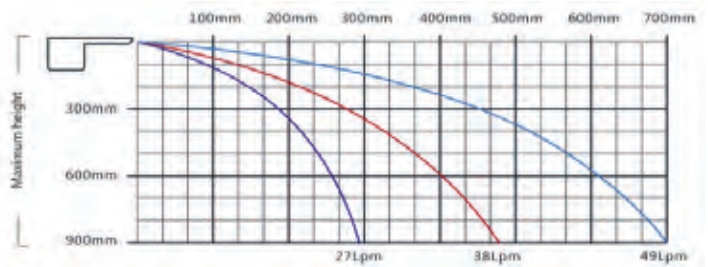
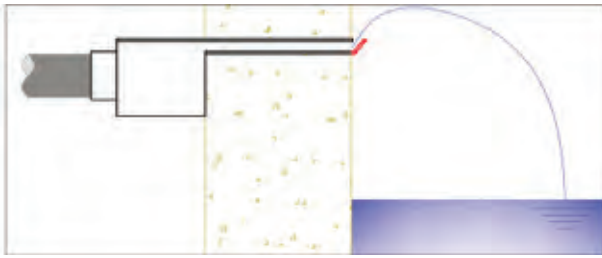
## Product Information and Dimensions:

Code (LED)	Model (LED)	Code	Model	A(mm)	B(mm)	C(mm)	D(mm)	Remark
88480101	PB300-25(L)	88485001	PB300-25	306	138	76	25	12V DC 4W
88480102	PB300-150(L)	88485002	PB300-150		263		150	
88480111	PB600-25(L)	88485011	PB600-25	606	138	76	25	12V DC 8W
88480112	PB600-150(L)	88485012	PB600-150		263		150	
88480121	PB900-25(L)	88485021	PB900-25	906	138	76	25	12V DC 12W
88480122	PB900-150(L)	88485022	PB900-150		263		150	
88480131	PB1200-25(L)	88485031	PB1200-25	1206	138	76	25	12V DC 17W
88480132	PB1200-150(L)	88485032	PB1200-150		263		150	



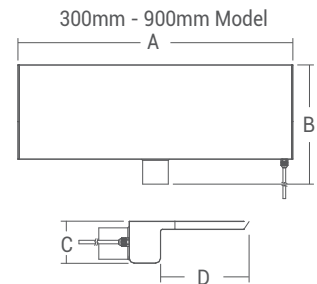
# PBA Series

The water descent produces a beautiful arc of water before projecting away from the pool wall and falling the pool creating a relaxing sound of water and a hypnotized scenario, especially at night.



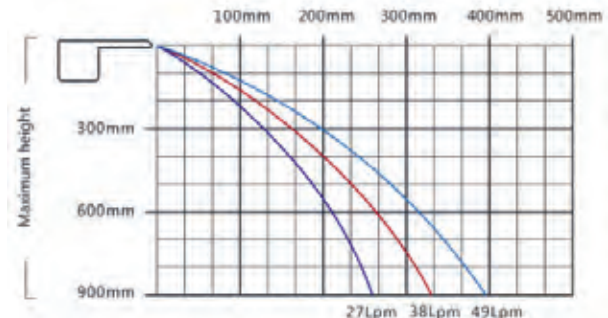
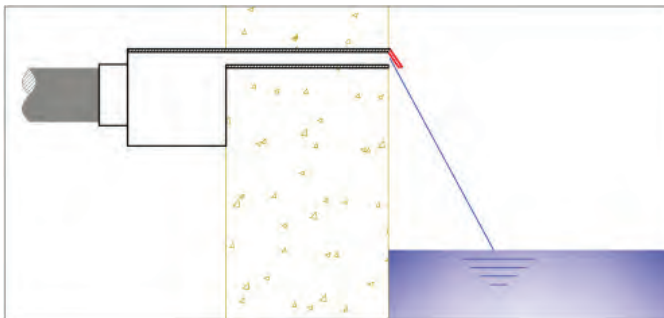
## Product Information and Dimensions:

Code (LED)	Model (LED)	Code	Model	A(mm)	B(mm)	C(mm)	D(mm)	Remark
88480401	PBA300-25(L)	88485401	PBA300-25	306	152	76	39	12V DC 4W
88480402	PBA300-150(L)	88485402	PBA300-150		277		164	
88480411	PBA600-25(L)	88485411	PBA600-25	606	152	76	39	12V DC 8W
88480412	PBA600-150(L)	88485412	PBA600-150		277		164	
88480421	PBA900-25(L)	88485421	PBA900-25	906	152	76	39	12V DC 12W
88480422	PBA900-150(L)	88485422	PBA900-150		277		164	



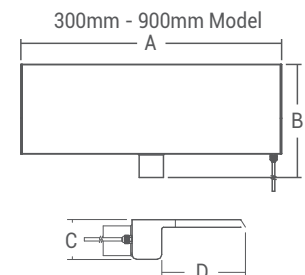
# PBS Series

Elegant waterfall created by a thin sheet of water descending gracefully to the pool surface.



## Product Information and Dimensions:

Code (LED)	Model (LED)	Code	Model	A(mm)	B(mm)	C(mm)	D(mm)	Remark
88480501	PBS300-25(L)	88485501	PBS300-25	306	152	76	39	12V DC 4W
88480502	PBS300-150(L)	88485502	PBS300-150		277		164	
88480511	PBS600-25(L)	88485511	PBS600-25	606	152	76	39	12V DC 8W
88480512	PBS600-150(L)	88485512	PBS600-150		277		164	
88480521	PBS900-25(L)	88485521	PBS900-25	906	152	76	39	12V DC 12W
88480522	PBS900-150(L)	88485522	PBS900-150		277		164	

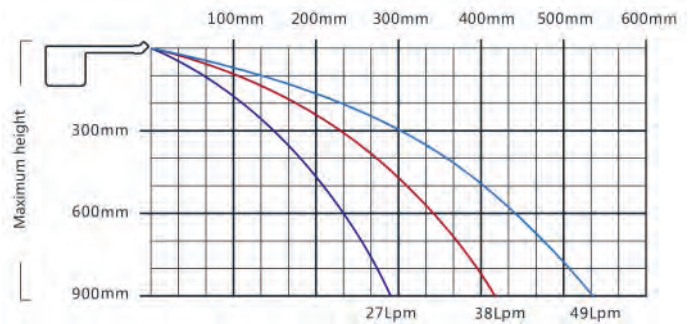
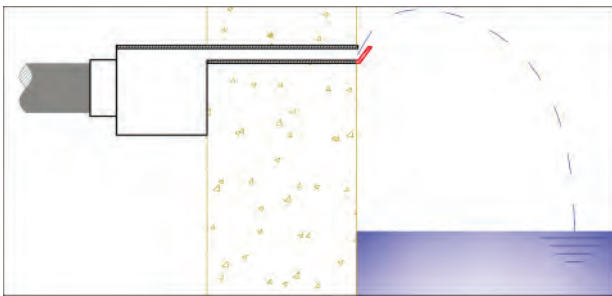


NOTE 2 : Water descent(s) only to be used filtrated water. Water flow rate or water pressure is higher, it has to be diverted to the pool. Check the charts or each water descent which relate flow rate, trajectory and height of water descent.



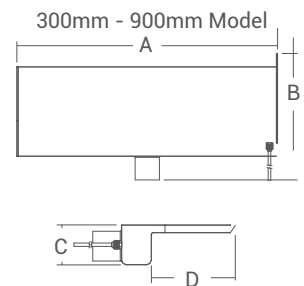
# RA Series

Water Descent Rainfall Arc adds character and style to your pool. The water rain falls up from the unit at an angle 45° and then naturally arcs and fall to the water surface.



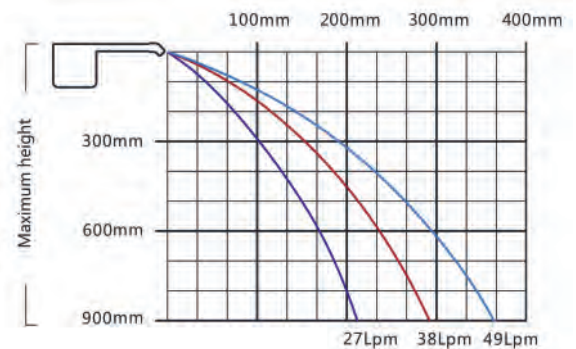
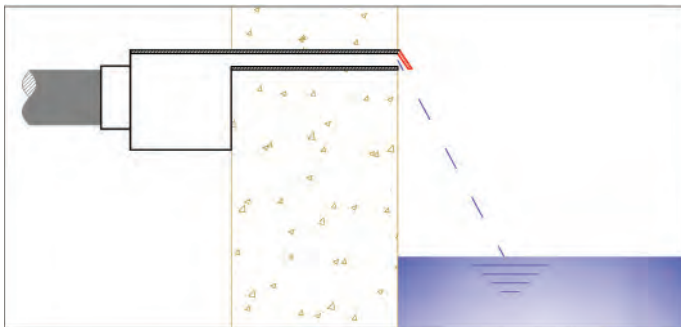
## Product Information and Dimensions:

Code (LED)	Model (LED)	Code	Model	A(mm)	B(mm)	C(mm)	D(mm)	Remark
88480201	RA300-25(L)	88485201	RA300-25	306	159	85	46	12V DC 4W
88480202	RA300-150(L)	88485202	RA300-150	306	284	85	171	12V DC 4W
88480211	RA600-25(L)	88485211	RA600-25	606	159	85	46	12V DC 8W
88480212	RA600-150(L)	88485212	RA600-150	606	284	85	171	12V DC 8W
88480221	RA900-25(L)	88485221	RA900-25	906	159	85	46	12V DC 12W
88480222	RA900-150(L)	88485222	RA900-150	906	284	85	171	12V DC 12W



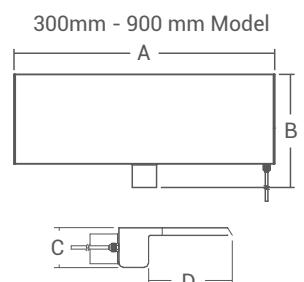
# RS Series

This water descent can be adapted to blend in harmoniously with your pool and its surroundings to create the perfect ambience.



## Product Information and Dimensions:

Code (LED)	Model (LED)	Code	Model	A(mm)	B(mm)	C(mm)	D(mm)	Remark
88480301	RS300-25(L)	88485301	RS300-25	306	159	78	46	12V DC 4W
88480302	RS300-150(L)	88485302	RS300-150	306	284	78	171	12V DC 4W
88480311	RS600-25(L)	88485311	RS600-25	606	159	78	46	12V DC 8W
88480312	RS600-150(L)	88485312	RS600-150	606	284	78	171	12V DC 8W
88480321	RS900-25(L)	88485321	RS900-25	906	159	78	46	12V DC 12W
88480322	RS900-150(L)	88485322	RS900-150	906	284	78	171	12V DC 12W



# Countercurrent Jet

For small size training pools

## ENDLESS NO-LAP SWIMMING TRAINING

Perfect for small pools where space is limited. Excellent for fitness training, underwater massage, endless no-lap swimming and unnecessary tumble turns.

### 1. Countercurrent Jet Face Plate



EM0055

Code	Model	Description
88093212	EM0055	Countercurrent Jet with LED Light RGB
88093412	EM0055	Countercurrent Jet with LED Light white



Underwater on/off Switch

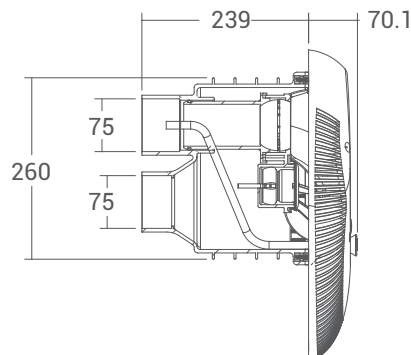
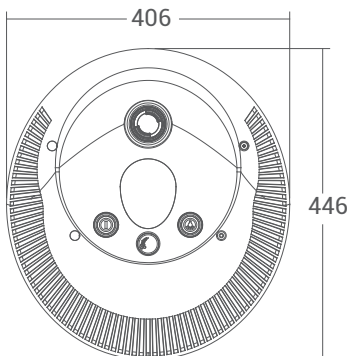


Adjustable Nozzle and LED Light



RGB Color Water Light

### Product Dimensions



LED White Water Light

## Product Features

1. Powerful counter current.
2. Product can be used as a single or double jet system with one or two pumps.
3. Counter current face plate with LED Light.
4. All controls are on the face plate and can be operated in perfect safety while you are in the water
5. Adjust the valve to control the bubble effect.
6. Water flow direction can be changed through the adjustable nozzle.



## Accessories For Emaux Countercurrent Jet:

### 2. Pumps



SR Series Pump

1. Class insulation: 130(B)
2. IPX5 Waterproof standard
3. Built-in thermal protection
4. Overload protection



UPH Series Pump

1. Waterproof: IPX5
2. Self Priming: 3 m
3. Flow rate: Up to 110 m<sup>3</sup>/h
4. Working Voltage: 380-400Vac
5. Premium Efficiency IE3 Class Motor
6. Bearing: High temperature resistant up to 160°C

## Technical Information

Water Pump Selection	Qmax		Hmax meter	V/Hz	Power	
	m <sup>3</sup> /h	l/min			kW	Horsepower
UPH400 pump x 1	75	1300	13	380/50	3.00	4.0
UPH550 pump x 1	90	1500	17.5	380/50	4.00	5.5
SR30 pump x 1	28	480	20	220/50	2.18	3.0
SR30 pump x 2	50	850	25	220/50	2 x 2.18	2 x 3.0

### 3. Control Box

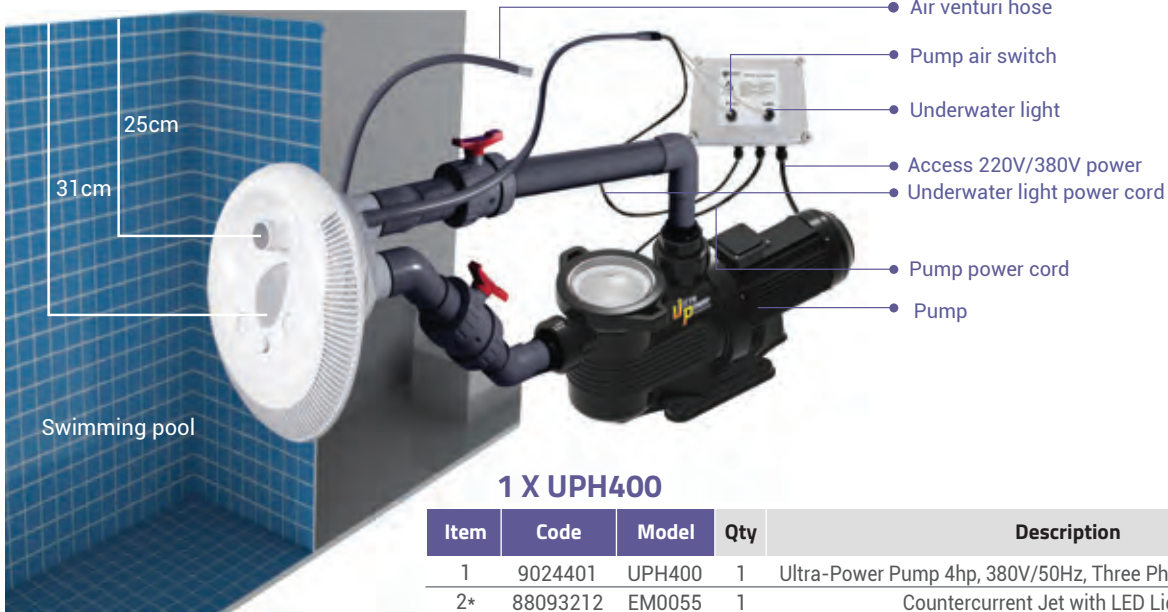


Countercurrent Jet Control Box

Code	Model	Main Power input	Pump Power output	Lighting Power output
08080020	SWJ-CB	AC 220V/50Hz	AC 220V/50Hz, 4.4kW	AC12V, 1W
08080021	SWJ-CB	AC 380V/50Hz	AC 380V/50Hz, 4.4kW	AC12V, 1W

# Installation:

## 1. Setting with one pump



**1 X UPH400**

\*Optional item

Item	Code	Model	Qty	Description
1	9024401	UPH400	1	Ultra-Power Pump 4hp, 380V/50Hz, Three Phase, 3"/90mm Unions
2*	88093212	EM0055	1	Countercurrent Jet with LED Light RGB
2*	88093412	EM0055	1	Countercurrent Jet with LED Light white
3	08030109	/	1	Piping kit for UPH pump
4	08080021	SWJ-CB	1	Countercurrent Jet Control Box 380V

### 1 X UPH550

Item	Code	Model	Qty	Description
1	9024402	UPH550	1	Ultra-Power Pump 5.5hp, 380V/50Hz, Three Phase, 3"/90mm Unions
2*	88093212	EM0055	1	Countercurrent Jet with LED Light RGB
2*	88093412	EM0055	1	Countercurrent Jet with LED Light white
3	08030109	/	1	Piping kit for UPH pump
4	08080021	SWJ-CB	1	Countercurrent Jet Control Box 380V

### 1 X SR30

Item	Code	Model	Qty	Description
1	88023609	SR30	1	Pump 3.0hp, 220V/50Hz, Single Phase
2*	88093212	EM0055	1	Countercurrent Jet with LED Light RGB
2*	88093412	EM0055	1	Countercurrent Jet with LED Light white
3	08030108	/	1	Piping kit for 1 x SR30 pump
4	08080020	SWJ-CB	1	Countercurrent Jet Control Box 220V

## 2. Setting with two pumps



**2 X SR30**

Item	Code	Model	Qty	Description
1	88023609	SR30	2	Pump 3.0hp, 220V/50Hz, Single Phase
2*	88093212	EM0055	1	Countercurrent Jet with LED Light RGB
2*	88093412	EM0055	1	Countercurrent Jet with LED Light white
3	08030107	/	1	Piping kit for 2 x SR30 pump
4	08080020	SWJ-CB	1	Countercurrent Jet Control Box 220V





# SURROUNDING EQUIPMENT

## ROBUST STEEL POOL ACCESSORIES

---

Emaux produces robust and durable stainless steel pool surrounding equipment including ladders, exit handrails, shower heads, starting platforms, and water cascades. A zinc sacrificial anode shield is also available to prevent electrolytic corrosion of metal pool parts and lengthens the life of these accessories.



# LADDER

Quality ladders provide safety and ease for your pool

## ROBUST STEEL ARMS OF POOLS

Ladder handrails are made of  $\phi 42\text{mm}$  tubes in polished stainless steel 304 (or 316 for saltwater pools). Correct selection and proper placement of handrails and ladders add a significant measure of safety to every pool area. Three kinds of step are available: Plastic, stainless steel, and stainless steel with anti-slip pads. All ladders are available with anchor or flange type fixtures for easy installation.



### Step Options :

#### 1) Stainless Steel



#### 2) Stainless Steel (with anti-slip pad)



#### 3) Plastics



### Installation Options :

#### 1) Anchor Type



#### 2) Flange Type



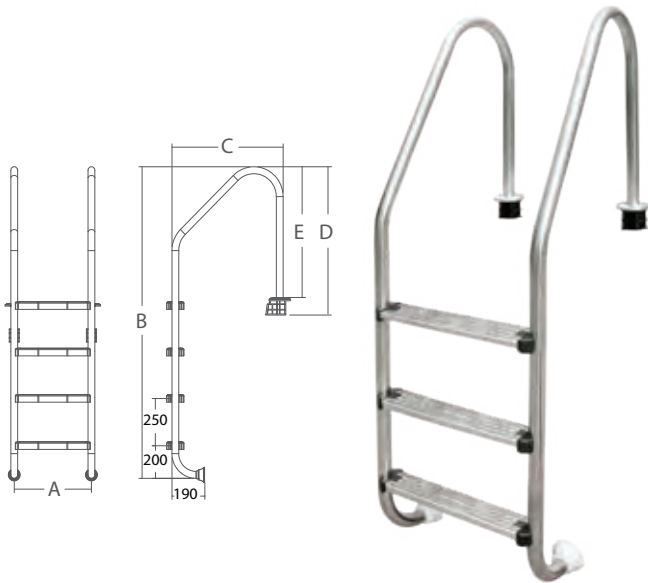
#### Ancillary Shoring

- is provided with a supporting construction on the wall.

Pool ladders can be easily installed either with anchors embedded in the concrete deck or bolted flanges. The fixtures are concealed by stainless steel escutcheons.



# NSL SERIES



## Anchor Type Stainless Steel Step:

Code (AISI-304)	Code (AISI-316)	Model No.	A mm	B mm	C mm	D mm	E mm
88072601	88072606	NSL215-S	493	1320	686	788	708
88072602	88072607	NSL315-S	493	1570	686	788	708
88072603	88072608	NSL415-S	493	1820	686	788	708
88072604	88072609	NSL515-S	493	2070	686	788	708
88072613	88072616	NSL815-S	493	2830	692	699	619

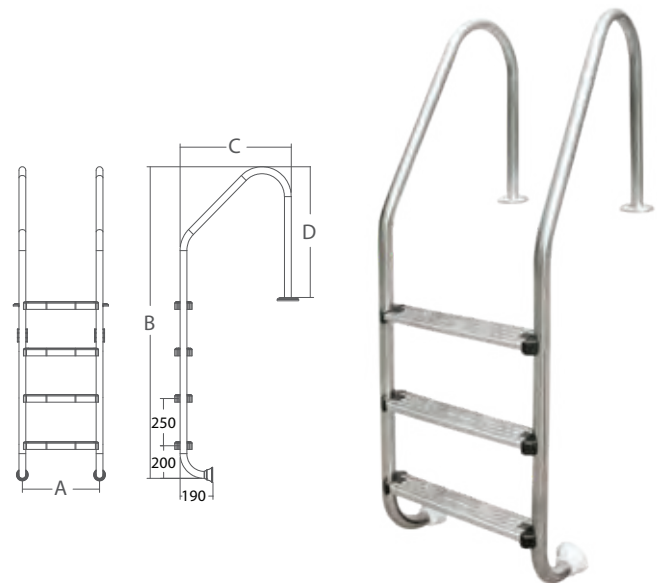
## Anchor Type Stainless Steel Step: (with Anti-Slip Pad)

Code (AISI-304)	Code (AISI-316)	Model No.	A mm	B mm	C mm	D mm	E mm
88076501	88076506	NSL215-SR	493	1320	686	788	708
88076502	88076507	NSL315-SR	493	1570	686	788	708
88076503	88076508	NSL415-SR	493	1820	686	788	708
88076504	88076509	NSL515-SR	493	2070	686	788	708
88076513	88076516	NSL815-SR	493	2830	692	699	619

## Anchor Type Plastic Step:

Code (AISI-304)	Code (AISI-316)	Model No.	A mm	B mm	C mm	D mm	E mm
88072701	88072706	NSL215-P	476	1320	686	788	708
88072702	88072707	NSL315-P	476	1570	686	788	708
88072703	88072708	NSL415-P	476	1820	686	788	708
88072704	88072709	NSL515-P	476	2070	686	788	708
88072713	88072716	NSL815-P	476	2830	692	699	619

# SLF SERIES



## Flange Type Stainless Steel Step:

Code (AISI-304)	Code (AISI-316)	Model No.	A mm	B mm	C mm	D mm
88072001	88072006	SLF215-S	493	1320	686	788
88072002	88072007	SLF315-S	493	1570	686	788
88072003	88072008	SLF415-S	493	1820	686	788
88072004	88072009	SLF515-S	493	2070	686	788
88072013	88072016	SLF815-S	493	2830	692	699

## Flange Type Stainless Steel Step: (with Anti-Slip Pad)

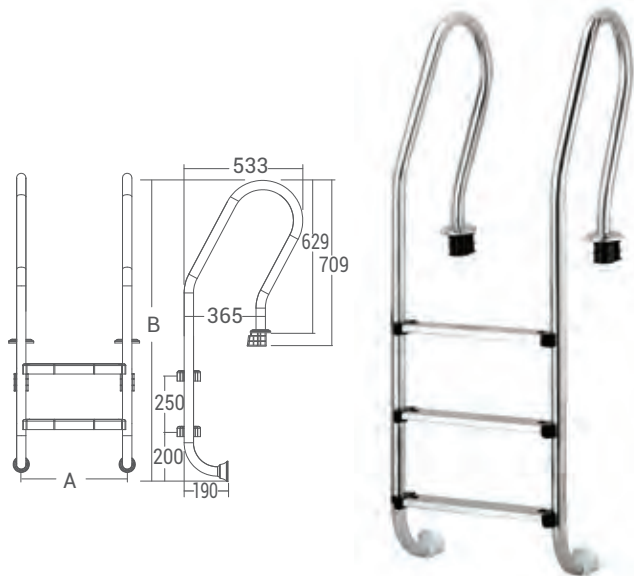
Code (AISI-304)	Code (AISI-316)	Model No.	A mm	B mm	C mm	D mm
88077201	88077206	SLF215-SR	493	1320	686	788
88077202	88077207	SLF315-SR	493	1570	686	788
88077203	88077208	SLF415-SR	493	1820	686	788
88077204	88077209	SLF515-SR	493	2070	686	788
88077213	88077216	SLF815-SR	493	2830	692	699

## Flange Type Plastic Step:

Code (AISI-304)	Code (AISI-316)	Model No.	A mm	B mm	C mm	D mm
88072101	88072106	SLF215-P	476	1320	686	788
88072102	88072107	SLF315-P	476	1570	686	788
88072103	88072108	SLF415-P	476	1820	686	788
88072104	88072109	SLF515-P	476	2070	686	788
88072113	88072116	SLF815-P	476	2830	692	699

\* Handrails in polished stainless steel 304 or 316 (φ42mm) tube. Steps made of stainless steel and plastic are available. Complete with anchoring or flange fixtures.

# NSF SERIES



## Anchor Type Stainless Steel Step:

Code (AISI-304)	Code (AISI-316)	Model No.	A mm	B mm
88072401	88072406	NSF215-S	493	1330
88072402	88072407	NSF315-S	493	1580
88072403	88072408	NSF415-S	493	1830
88072404	88072409	NSF515-S	493	2080

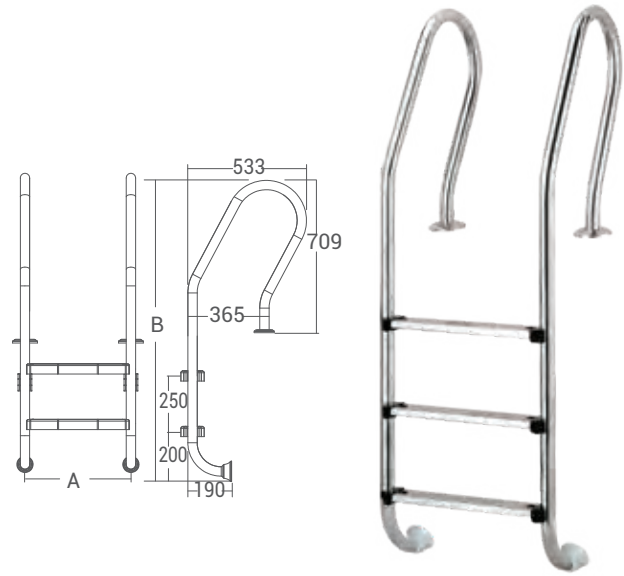
## Anchor Type Stainless Steel Step: (with Anti-Slip Pad)

Code (AISI-304)	Code (AISI-316)	Model No.	A mm	B mm
88076701	88076706	NSF215-SR	493	1330
88076702	88076707	NSF315-SR	493	1580
88076703	88076708	NSF415-SR	493	1830
88076704	88076709	NSF515-SR	493	2080

## Anchor Type Plastic Step:

Code (AISI-304)	Code (AISI-316)	Model No.	A mm	B mm
88072501	88072506	NSF215-P	476	1330
88072502	88072507	NSF315-P	476	1580
88072503	88072508	NSF415-P	476	1830
88072504	88072509	NSF515-P	476	2080

# SFF SERIES



## Flange Type Stainless Steel Step:

Code (AISI-304)	Code (AISI-316)	Model No.	A mm	B mm
88071801	88071806	SFF215-S	493	1330
88071802	88071807	SFF315-S	493	1580
88071803	88071808	SFF415-S	493	1830
88071804	88071809	SFF515-S	493	2080

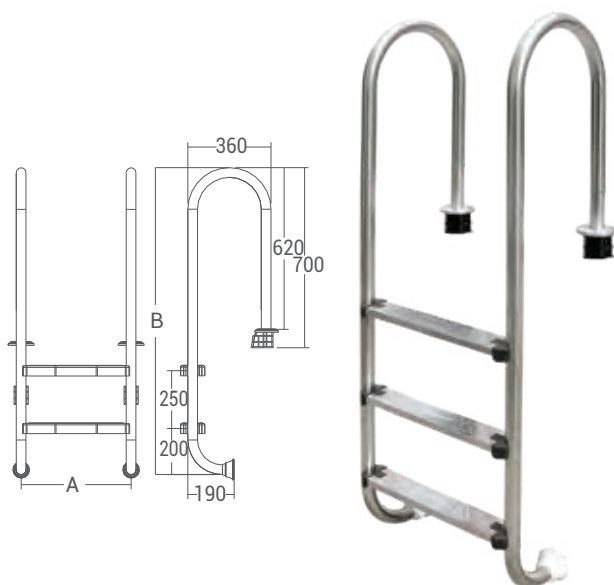
## Flange Type Stainless Steel Step: (with Anti-Slip Pad)

Code (AISI-304)	Code (AISI-316)	Model No.	A mm	B mm
88077401	88077406	SFF215-SR	493	1330
88077402	88077407	SFF315-SR	493	1580
88077403	88077408	SFF415-SR	493	1830
88077404	88077409	SFF515-SR	493	2080

## Flange Type Plastic Step:

Code (AISI-304)	Code (AISI-316)	Model No.	A mm	B mm
88071901	88071906	SFF215-P	476	1330
88071902	88071907	SFF315-P	476	1580
88071903	88071908	SFF415-P	476	1830
88071904	88071909	SFF515-P	476	2080

## NMU SERIES



### Anchor Type Stainless Steel Step:

Code (AISI-304)	Code (AISI-316)	Model No.	A mm	B mm
88072801	88072806	NMU215-S	493	1330
88072802	88072807	NMU315-S	493	1580
88072803	88072808	NMU415-S	493	1830
88072804	88072809	NMU515-S	493	2080

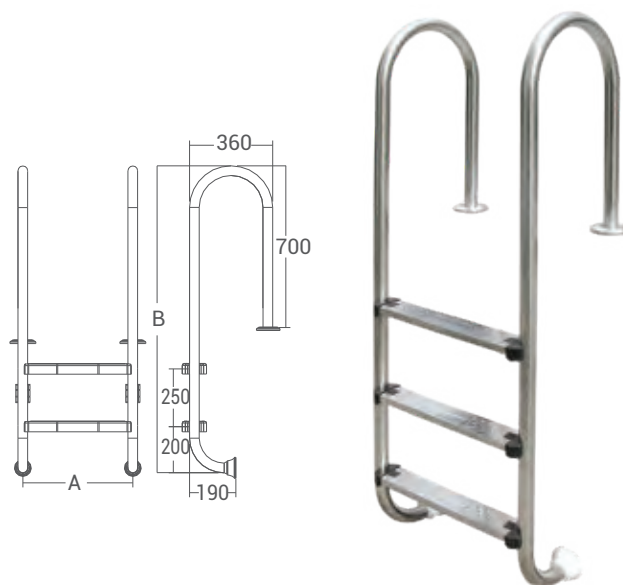
### Anchor Type Stainless Steel Step: (with Anti-Slip Pad)

Code (AISI-304)	Code (AISI-316)	Model No.	A mm	B mm
88076601	88076606	NMU215-SR	493	1330
88076602	88076607	NMU315-SR	493	1580
88076603	88076608	NMU415-SR	493	1830
88076604	88076609	NMU515-SR	493	2080

### Anchor Type Plastic Step:

Code (AISI-304)	Code (AISI-316)	Model No.	A mm	B mm
88072901	88072906	NMU215-P	476	1330
88072902	88072907	NMU315-P	476	1580
88072903	88072908	NMU415-P	476	1830
88072904	88072909	NMU515-P	476	2080

## MUF SERIES



### Flange Type Stainless Steel Step:

Code (AISI-304)	Code (AISI-316)	Model No.	A mm	B mm
88072201	88072206	MUF215-S	493	1330
88072202	88072207	MUF315-S	493	1580
88072203	88072208	MUF415-S	493	1830
88072204	88072209	MUF515-S	493	2080

### Flange Type Stainless Steel Step: (with Anti-Slip Pad)

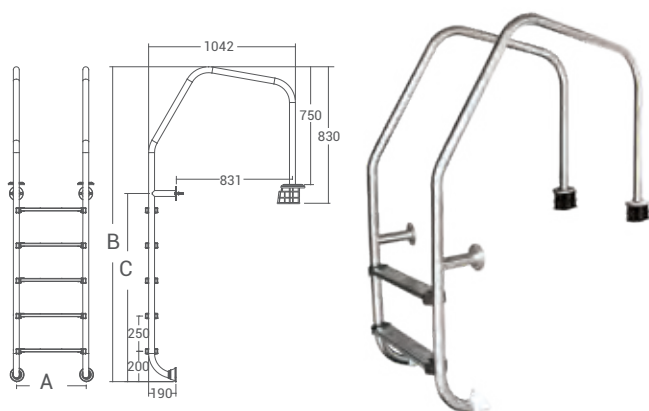
Code (AISI-304)	Code (AISI-316)	Model No.	A mm	B mm
88077301	88077306	MUF215-SR	493	1330
88077302	88077307	MUF315-SR	493	1580
88077303	88077308	MUF415-SR	493	1830
88077304	88077309	MUF515-SR	493	2080

### Flange Type Plastic Step:

Code (AISI-304)	Code (AISI-316)	Model No.	A mm	B mm
88072301	88072306	MUF215-P	476	1330
88072302	88072307	MUF315-P	476	1580
88072303	88072308	MUF415-P	476	1830
88072304	88072309	MUF515-P	476	2080

\* Handrails in polished stainless steel 304 or 316 (φ42mm) tube. Steps made of stainless steel and plastic are available. Complete with anchoring or flange fixtures.

# OF SERIES



## Anchor Type Stainless Steel Step:

Code (AISI-304)	Code (AISI-316)	Model No.	A mm	B mm	C mm
88073201	88073206	OF215-S	493	1460	561
88073202	88073207	OF315-S	493	1710	811
88073203	88073208	OF415-S	493	1960	1061
88073204	88073209	OF515-S	493	2210	1311

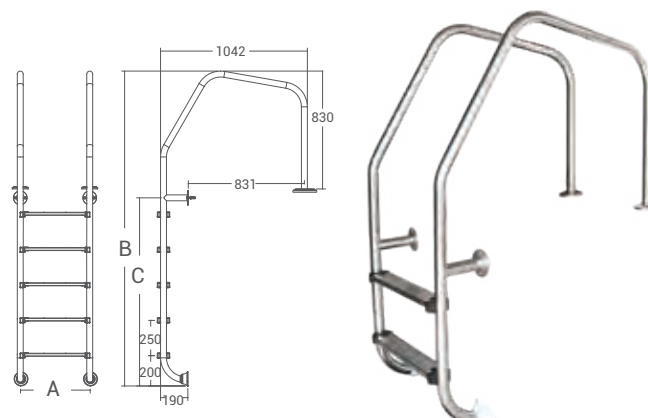
## Anchor Type Stainless Steel Step: (with Anti-Slip Pad)

Code (AISI-304)	Code (AISI-316)	Model No.	A mm	B mm	C mm
88076801	88076806	OF215-SR	493	1460	561
88076802	88076807	OF315-SR	493	1710	811
88076803	88076808	OF415-SR	493	1960	1061
88076804	88076809	OF515-SR	493	2210	1311

## Anchor Type Plastic Step:

Code (AISI-304)	Code (AISI-316)	Model No.	A mm	B mm	C mm
88073301	88073306	OF215-P	476	1460	561
88073302	88073307	OF315-P	476	1710	811
88073303	88073308	OF415-P	476	1960	1061
88073304	88073309	OF515-P	476	2210	1311

# OFF SERIES



## Flange Type Stainless Steel Step:

Code (AISI-304)	Code (AISI-316)	Model No.	A mm	B mm	C mm
88073401	88073406	OFF215-S	493	1460	561
88073402	88073407	OFF315-S	493	1710	811
88073403	88073408	OFF415-S	493	1960	1061
88073404	88073409	OFF515-S	493	2210	1311

## Flange Type Stainless Steel Step: (with Anti-Slip Pad)

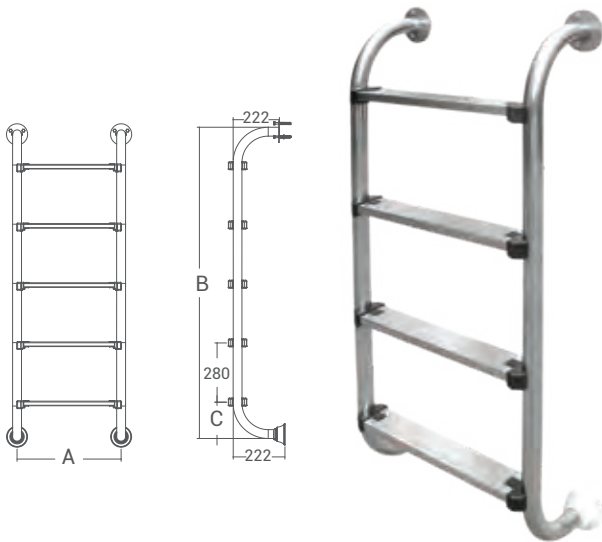
Code (AISI-304)	Code (AISI-316)	Model No.	A mm	B mm	C mm
88077501	88077506	OFF215-SR	493	1460	561
88077502	88077507	OFF315-SR	493	1710	811
88077503	88077508	OFF415-SR	493	1960	1061
88077504	88077509	OFF515-SR	493	2210	1311

## Flange Type Plastic Step:

Code (AISI-304)	Code (AISI-316)	Model No.	A mm	B mm	C mm
88073501	88073506	OFF215-P	476	1460	561
88073502	88073507	OFF315-P	476	1710	811
88073503	88073508	OFF415-P	476	1960	1061
88073504	88073509	OFF515-P	476	2210	1311

\* Made of polished Stainless Steel tube ( $\varphi 42\text{mm}$ ) with a polished finish. Specially designed for overflow pool. Easily installed with anchoring or flange fixtures.

## BHK SERIES (Lower Part)



### Stainless Steel Step:

Code (AISI-304)	Code (AISI-316)	Model No.	A mm	B mm	C mm
88075001	88075006	BHK215-S	493	642	181
88075002	88075007	BHK315-S	493	922	181
88075003	88075008	BHK415-S	493	1207	183.5
88075004	88075009	BHK515-S	493	1487	183.5

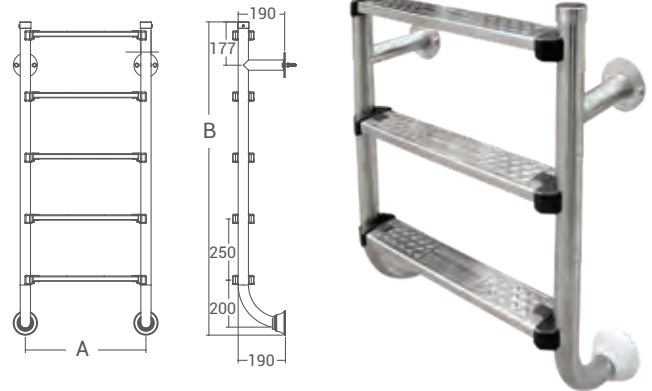
### Stainless Steel Step: (with Anti-Slip Pad)

Code (AISI-304)	Code (AISI-316)	Model No.	A mm	B mm	C mm
88077001	88077006	BHK215-SR	493	642	181
88077002	88077007	BHK315-SR	493	922	181
88077003	88077008	BHK415-SR	493	1207	183.5
88077004	88077009	BHK515-SR	493	1487	183.5

### Plastic Step:

Code (AISI-304)	Code (AISI-316)	Model No.	A mm	B mm	C mm
88075101	88075106	BHK215-P	476	642	181
88075102	88075107	BHK315-P	476	922	181
88075103	88075108	BHK415-P	476	1207	183.5
88075104	88075109	BHK515-P	476	1487	183.5

## BHL SERIES (Lower Part)



### Stainless Steel Step:

Code (AISI-304)	Code (AISI-316)	Model No.	A mm	B mm
88073801	88073806	BHL215-S	493	530
88073802	88073807	BHL315-S	493	780
88073803	88073808	BHL415-S	493	1030
88073804	88073809	BHL515-S	493	1280

### Stainless Steel Step: (with Anti-Slip Pad)

Code (AISI-304)	Code (AISI-316)	Model No.	A mm	B mm
88077101	88077106	BHL215-SR	493	530
88077102	88077107	BHL315-SR	493	780
88077103	88077108	BHL415-SR	493	1030
88077104	88077109	BHL515-SR	493	1280

### Plastic Step:

Code (AISI-304)	Code (AISI-316)	Model No.	A mm	B mm
88073901	88073906	BHL215-P	476	530
88073902	88073907	BHL315-P	476	780
88073903	88073908	BHL415-P	476	1030
88073904	88073909	BHL515-P	476	1280

\* Handrails in polished stainless steel 304 or 316 (φ42mm) tube. Steps made of stainless steel and plastic are available. Complete with anchoring or flange fixtures

# Exit Handrail

## ARA SERIES

Code (AISI-304)	Code (AISI-316)	Model No.	Type
88074105	88074110	ARA	Anchor
88074005	88074010	ARA-F	Flange



Anchor Type

Flange Type

## ARG SERIES

Code (AISI-304)	Code (AISI-316)	Model No.	Type
88074505	88074510	ARG	Anchor
88074405	88074410	ARG-F	Flange

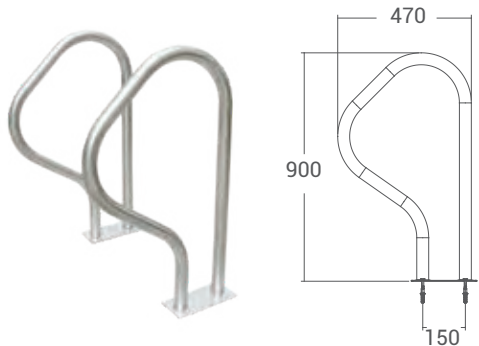


Anchor Type

Flange Type

## ARB SERIES

Code (AISI-304)	Code (AISI-316)	Model No.	Type
88074205	88074210	ARB-F	Flange



Flange Type

## ARN SERIES

Code (AISI-304)	Code (AISI-316)	Model No.	Type	No. of Steps	L mm	A mm	B mm
88074703	88074708	ARN415	Anchor	4	1220	882	608
88074704	88074709	ARN515	Anchor	5	1524	882	855
88074603	88074608	ARN415-F	Flange	4	1220	882	608
88074604	88074609	ARN515-F	Flange	5	1524	882	855



Anchor Type

Flange Type

## ARP SERIES

Code (AISI-304)	Code (AISI-316)	Model No.	Type
88073005	88073010	ARP	Anchor
88073605	88073610	ARP-F	Flange

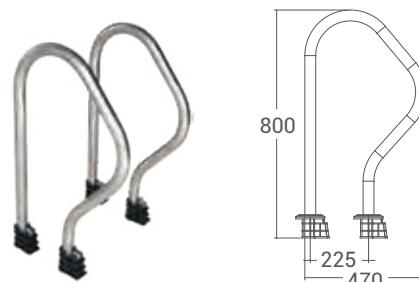


Anchor Type

Flange Type

## ARV SERIES

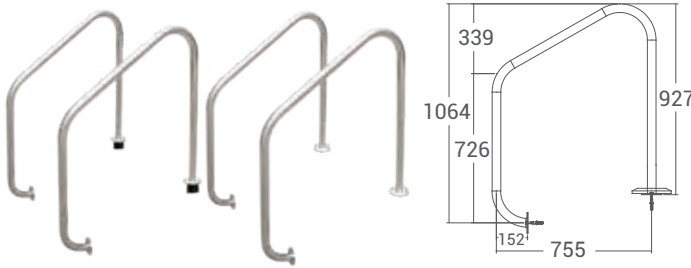
Code (AISI-304)	Code (AISI-316)	Model No.	Type
88073105	88073110	ARV	Anchor



Anchor Type

# ARS SERIES

Code (AISI-304)	Code (AISI-316)	Model No.	Type
88074905	88074910	ARS	Anchor
88074805	88074810	ARS-F	Flange

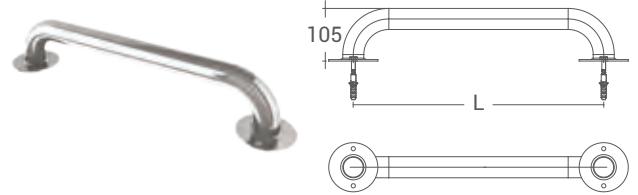


Anchor Type

Flange Type

# STRAIGHT GRABRAIL

Code (AISI-304)	Code (AISI-316)	Model No.	L mm
88076417	88076423	L50	500
88076418	88076424	L100	1000
88076419	88076425	L150	1500
88076420	88076426	L200	2000
88076421	88076427	L250	2500
88076422	88076428	L300	3000



# OTHER EQUIPMENT

## Straight Handrails

Handrail length in 1m

Code	Type
03016221	AISI-304
03016220	AISI-316



## Straight Connector

For joining the  $\varnothing 42$ mm pipe

Code	Type
03016223	AISI-304
03016222	AISI-316



## Curved Connector

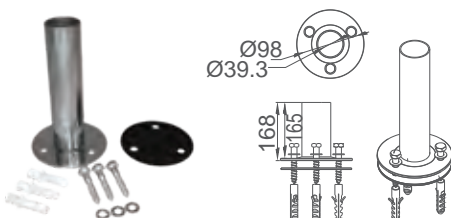
For joining the  $\varnothing 42$ mm pipe

Code	Type
03016225	AISI-304
03016224	AISI-316



## Flange Connection for Anchor Ladder (Pair)

Code	Type
08070007	AISI-304
08070008	AISI-316



## End Cap

For the end of  $\varnothing 42$ mm pipe

Code	Type
03016227	AISI-304
03016226	AISI-316



## Straight Bracket with Base Plate

Applicable for both concrete and vinyl pool

Code	Type
08070002	AISI-304
08070001	AISI-316



# Shower Head

7 water patterns are available for your choice



**FAST SPRAY**  
**EM4401**



**SOFT SPRAY**  
**EM4407**



**FULL BODY SPRAY**  
**EM4402**



**JET MASSAGE**  
**EM4405**

## EXPERIENCE WATER IN DIFFERENT WAYS!

Enjoy hydrotherapy shower using all physical properties of water to create a new experience. Emaux powerful shower heads are designed to offer excellent showering massage experience.

### Product Features

1. Stainless Steel AISI-304 tube
2. Chrome plated heads
3. Hydrotherapy shower effects
4. Unique design with excellent waterproofing and corrosion resistance
5. Easy installation and maintenance



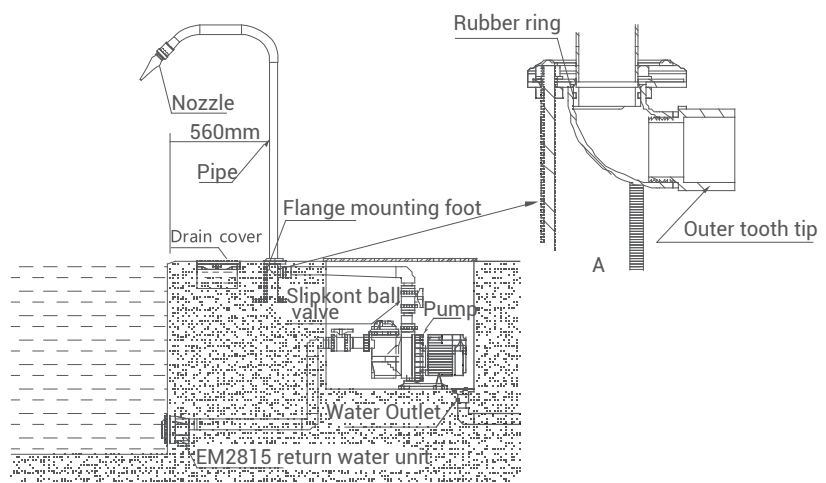
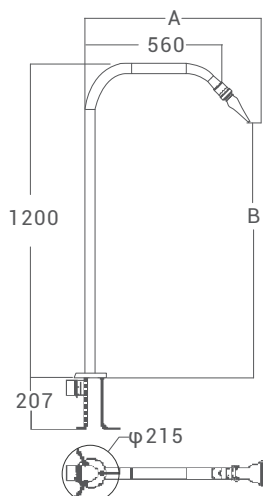


**MASSAGE SPRAY**  
**EM4406**

**JET SPRAY**  
**EM4404**

**INTENSE JET SPRAY**  
**EM4403**

Code	Model No.	Product Name	Connection Dimensions	Pressure (Kpa)	Flow Rate (m <sup>3</sup> /h)	Pattern	Min Pump Head	A mm	B mm
88093513	EM4401	Fast Spray	1.5" / 50mm	20 - 100	14.0 - 48.4	Universal Type	2m	663	946
88093613	EM4402	Full Body Spray	1.5" / 50mm	20 - 100	14.0 - 48.4	Universal Type	2m	705	902
88093713	EM4403	Intense Jet Spray	1.5" / 50mm	20 - 250	5.8 - 24.0	Universal Type	2m	630	962
88093813	EM4404	Jet Spray	1.5" / 50mm	20 - 120	18.0 - 50.0	Fixed Type	2m	628	968
88093913	EM4405	Jet Massage	1.5" / 50mm	20 - 100	14.0 - 48.4	Fixed Type	2m	553	1016
88094013	EM4406	Massage Spray	1.5" / 50mm	20 - 60	5.7 - 12.0	Fixed Type	2m	598	986
88094113	EM4407	Soft Spray	1.5" / 50mm	20 - 80	0.6 - 1.1	Universal Type	2m	655	958

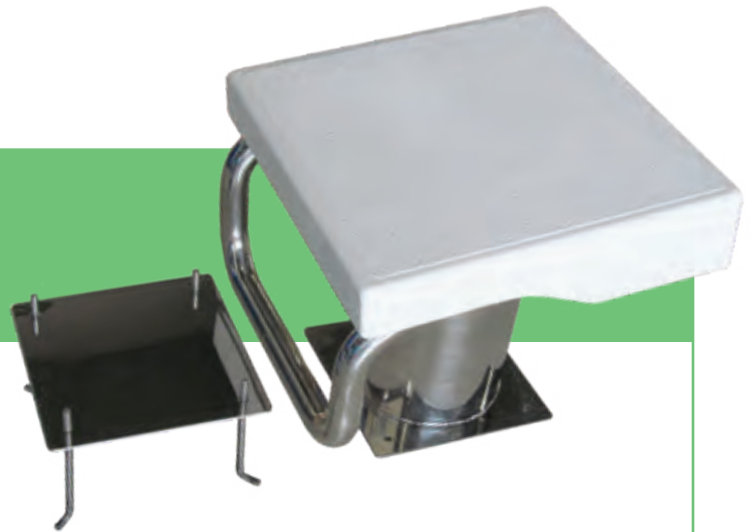


# STARTING PLATFORM

The ideal solution for deck-level swimming pool

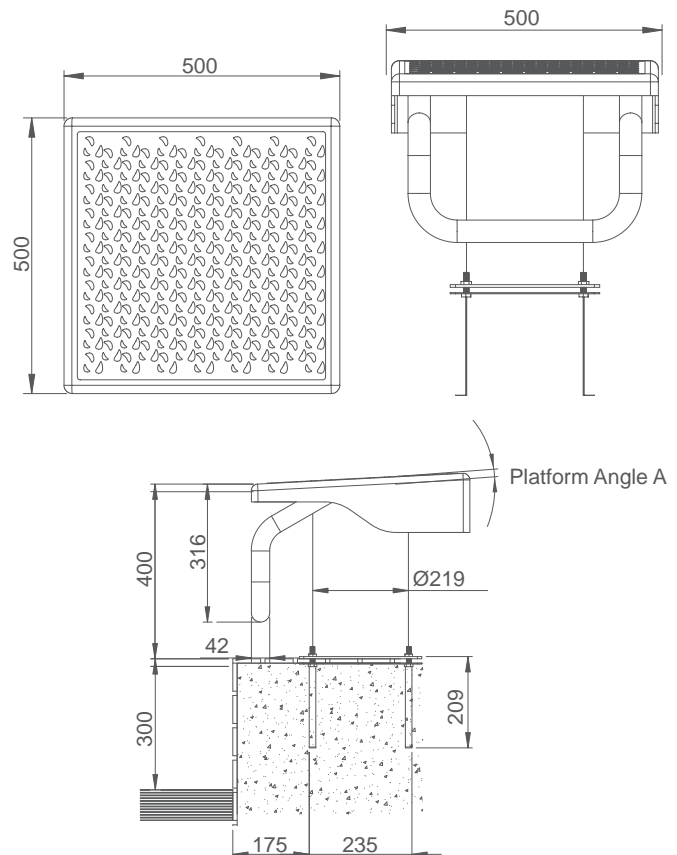
## ACHIEVE THE BEST RESULTS

1. Stainless Steel AISI-316 pedestal and backstroke handle
2. Solidly built fiberglass platform
3. Anti-slip tread step



## Product Information

Code	Model No.	Description
88520101	STP30R	Starting Platform 30 degree
88520102	STP60R	Starting Platform 60 degree

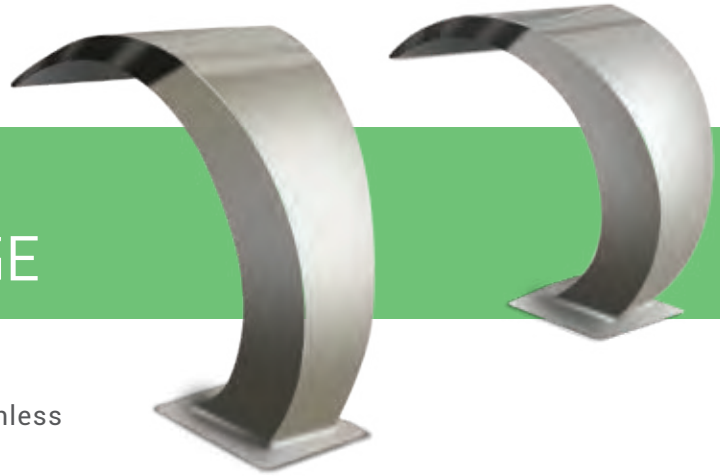


# WATER CASCADE

Creates a curtain of water

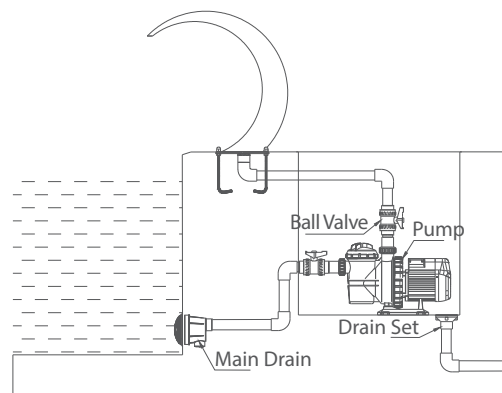
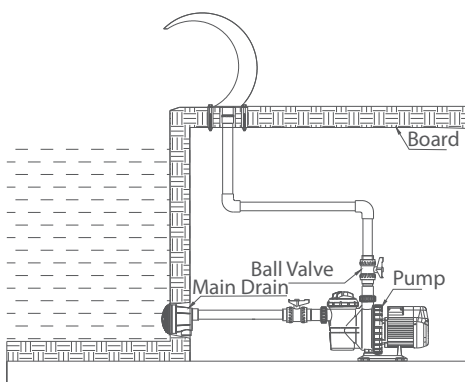
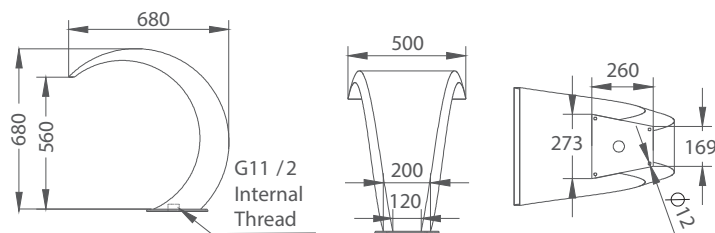
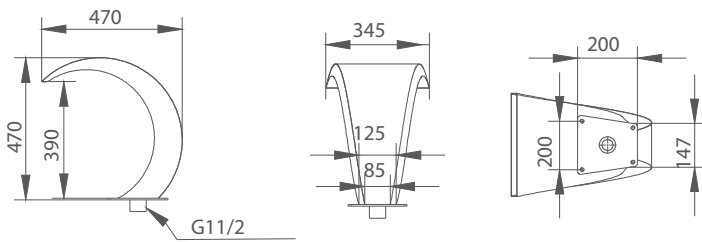
## ENJOYABLE WATERFALL MASSAGE

1. Stainless Steel AISI-316
2. Floor anchoring system, gaskets and stainless steel screw fittings



### Product Information

Code	Model No.	Connection	Dimension	Flow Rate
91601231	EM4416	1.5" / 50mm	345 x 470mm	12-14 m3/h
91601232	EM4417	1.5" / 50mm	500 x 680mm	12-14 m3/h





# CLEANING EQUIPMENT

## EASY, TROUBLE-FREE POOL MAINTENANCE

---

Regular pool cleaning is the key to keeping your swimming pool filtration system operating at its best. Physically removing dirt and rubbish can keep your pool equipment free of damage. Correct pool maintenance not only extends its life, but insures a safer swimming environment. Having the right products makes cleaning easier. We offer a complete range of cleaning tools such as hand skimmers, brushes, and vacuum heads, most of which are all made of high impact ABS materials.



# CleanTop Series Pool Cleaning Tools

Stylish design and excellent quality



## Triangular Vacuum Cleaner

360° swivel rotation heavy duty design for easy handling and faster cleaning. Side brushes to access and clean any pool corner. Internal weighted for optimum bottom pool surface displacement. Fits vacuum hoses of 32/38 mm.

Code	Model	Size
9101308	CE317	230 x 230 x 92mm



## Professional Triangular Vacuum Cleaner

360° swivel rotation heavy duty design for easy handling and faster cleaning. Side brushes to access and clean any pool corner. Internal weighted for optimum bottom pool surface displacement. Fits vacuum hoses of 38/50 mm.

Code	Model	Size
9101309	CE318	288 x 288 x 132mm



## Flexible Vacuum Cleaner

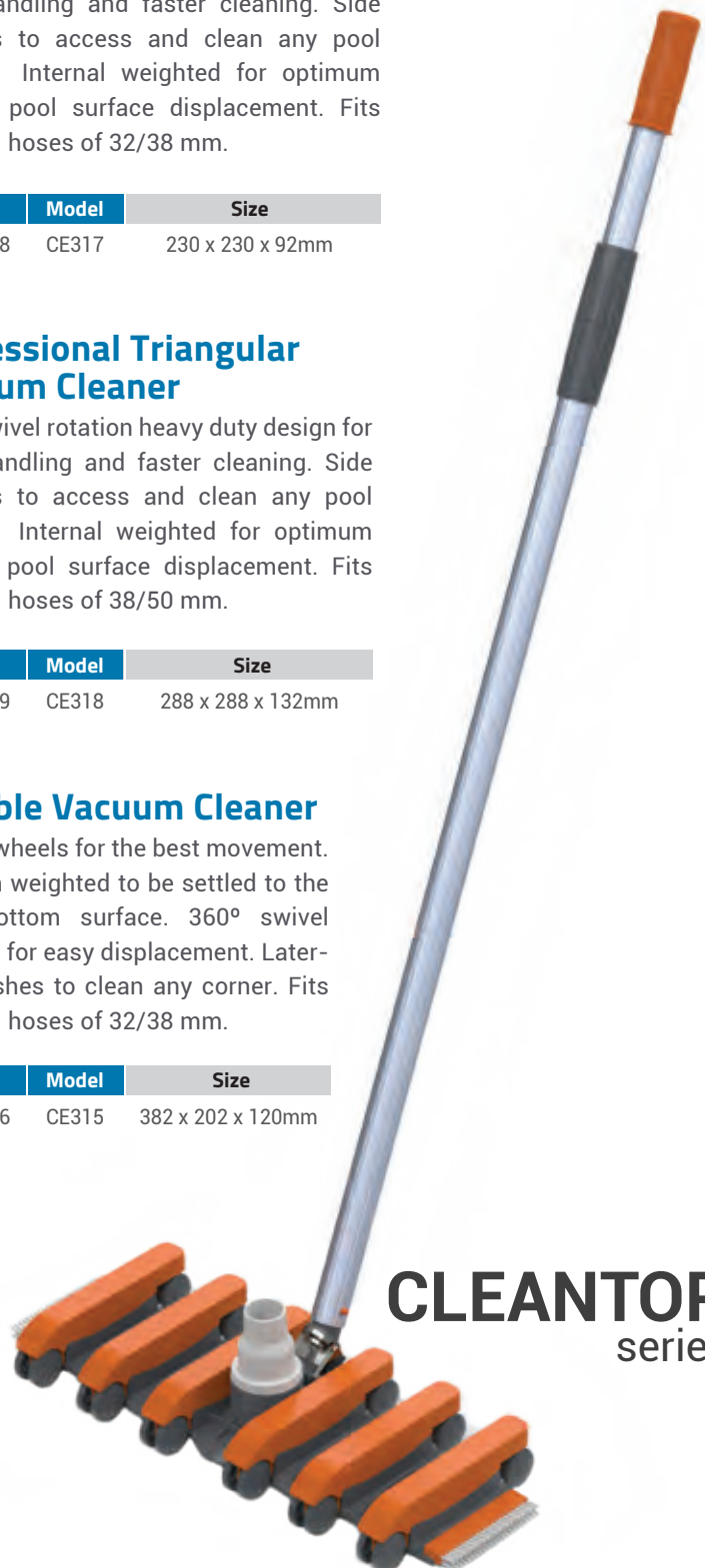
Rotary wheels for the best movement. Uniform weighted to be settled to the pool bottom surface. 360° swivel rotation for easy displacement. Laterals brushes to clean any corner. Fits vacuum hoses of 32/38 mm.

Code	Model	Size
9101306	CE315	382 x 202 x 120mm

## Professional Vacuum Cleaner

Designed for pool professionals to achieve the best cleaning performance. Largest bottom suction surface, heavy weighted with double directional wheels, 360° swivel, lateral brushes, a big heavy duty vacuum cleaner with handy movement.

Code	Model	Size
9101307	CE316	517 x 202 x 130mm



**CLEANTOP**  
series



### Tech Brush

High design & heavy-duty materials. Proper brushing with strong bristles. Standard clip attachment for any telescopic pole.

Code	Model	Size
9100308	CE212	444 x 55 x 44mm



### Surface leaf skimmer

Strong surface leaf skimmer, easy net replacement. Internal aluminium frame. Standard clip attachment for any telescopic pole.

Code	Model	Size
9100505	CE107	356 x 454 x 56mm



### Chemical Tablets Dispenser

Optimum floatability with cute design, regulable opening for proper dosing, healthy pool. Premium ABS materials. Capacity: 3 tablets of 200 g.

Code	Model	Size
9100802	CE502	Ø276 x 128mm



### Heavy Duty Professional Floating Tablets Dispenser

Premium design for proper floating & dosing, premium ABS materials. Capacity: 5 tablets of 200 g.

Code	Model	Size
9100803	CE503	Ø276 x 188mm



### Professional telescopic pole

Silver anodized aluminium, heavy duty grip & lock for intensive use.

Code	Model	Size
9100619	CE142	2 x 1.8m
9100620	CE143	2 x 2.4m
9100621	CE144	2 x 3m
9100622	CE145	2 x 3.5m
9100623	CE146	2 x 4m



### Top Visual Floating Thermometer

Large numbers, buoy design high stability and easy reading.

Code	Model	Size
9101003	CE405	165 x 165 x 168mm

# Automatic Pool Cleaner

NEVER BEEN SO EASY

## NO ELECTRICITY NEEDED!

The unique design of Emaux Automatic Pool Cleaner is our outstanding cleaning device with a suction function which ensures trouble-free operation. The power suction helps in the scrubbing of the wall and floor without any supervision.

### Integrated Design

Emaux Automatic Pool Cleaner is designed to a high standard with quality material that enhances the durability. The special pleated seal maximizes the cleaning performance and excellent adhesion enables the scrubbing of the entire surface of the pool.

### Product Features

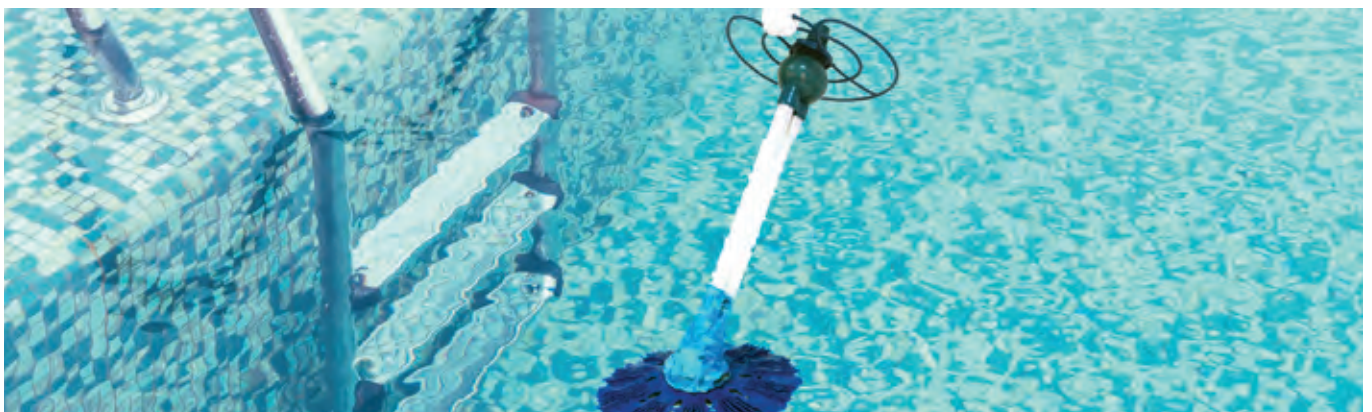
1. User-friendly and easy installation in a minute
2. Suitable for domestic in-ground pool and above ground pool
3. Quiet and fast cleaning
4. No electrical connection needed - this cleaner draws its power from the suction of the pool pump and cleans the pool while the filtration system is running



Code	Model
9101404	CE306

### Package includes:

1. Nut for Hose
2. Hose weight
3. Automatic Regulator Valve
4. Hose cone
5. Roller bumper strap
6. Pleated seal
7. 0.8m hose x 13





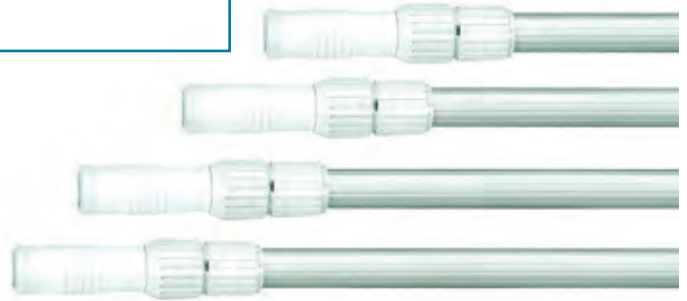
# Pool Cleaning Tools Pole and Hose

A COMPLETE LINE OF POOL MAINTENANCE PRODUCTS

## ALUMINIUM TELESCOPIC POLES WITH GRIP LOCK

Telescopic poles are constructed of premium extruded 1.2mm aluminium tubing. It comes with vinyl handle and user-friendly grip lock. Designed for use with hand skimmers, leaf rakes, brushes, and vacuum heads.

Code	Model	Size
88050501	CE132	2 x 2.4m
88050502	CE133	2 x 3m
88050503	CE134	2 x 3.5m
88050504	CE135	2 x 4m
88050506	CE136	2 x 1.8m



## Blow Mold Vacuum Hose

The economic blow molded flexible hose is made specifically for vacuuming residential pools. It withstands pool chemicals and outdoor conditions. The inner wall design of the hose also allows for an efficient flow of the water.



Code	Model	Size
88050604	CE154	Ø38mm x 29ft (9m)
88050601	CE155	Ø38mm x 36ft (11m)
88050602	CE156	Ø38mm x 42ft (13m)
88050603	CE157	Ø38mm x 49ft (15m)

## Spiral Wound Vacuum Hose

The tough, crush-proof Emaux spiral wound hose is used by service professionals to manually vacuum the pools. A high quality, heavy-duty durable construction, UV protected and abrasion resistant.



Code	Model	Size
88050608	CE160	Ø38mm x 30ft (9.1m)
88050609	CE161	Ø38mm x 35ft (10.7m)
88050610	CE162	Ø38mm x 40ft (12.2m)
88050611	CE163	Ø38mm x 45ft (13.7m)
88050612	CE164	Ø38mm x 50ft (15.2m)



# Hand Skimmer and Brush

## Hand Skimmer and Leaf Rake

Hand skimmers and leaf rakes are made of high quality PP and Nylon. Used for collecting leaves and other debris in the pool, they are designed to be attached to a telescopic pole.

### Hand Skimmer and Leaf Rake



Code	Model
88050101	CE101

### Standard Hand Skimmer



Code	Model
88050102	CE102

### Economy Hand Skimmer



Code	Model
88050103	CE105

## Plastic Brushes

Plastic Brushes are made of hard-wearing ABS and PP. They are used for regularly brushing the pool walls, in order to prevent the build up of algae. Designed to be attached to a telescopic pole.

### 9" Plastic Brush



Code	Model
88050202	CE202

### 14" Plastic Brush



Code	Model
88050203	CE203

### 18" Plastic Brush



Code	Model
88050201	CE201

## Stainless Steel Algae Brushes

Stainless steel algae brushes are made of reliable ABS and salt water resistant AISI-316 stainless steel. Used for scrubbing out stubborn algae that grows on the walls and in the grout of concrete pools. Designed to be attached to a telescopic pole.

### 9" Stainless Steel Algae Brush



Code	Model
88050214	CE204

### 14" Stainless Steel Algae Brush



Code	Model
88050215	CE205

### 18" Stainless Steel Algae Brush



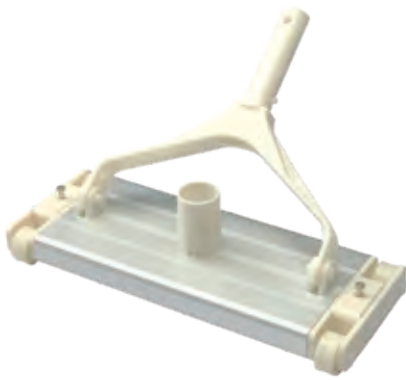
Code	Model
88050216	CE206

# Vacuum Head

## Vacuum Head

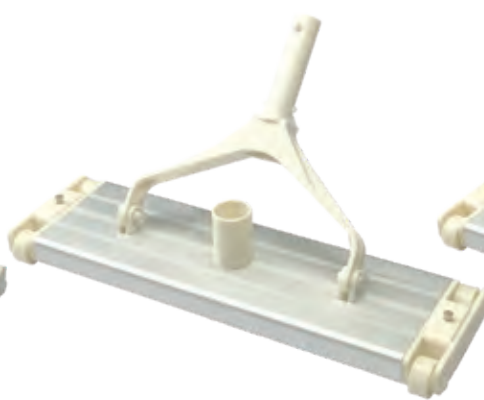
Emaux vacuum heads are made of robust PA / Aluminium materials. These models are designed for heavy-duty use and have a strengthened handle and flexible wheels.

**14" Aluminium Vacuum Head (Ø38mm connection)**



Code	Model
9101301	CE310

**18" Aluminium Vacuum Head (Ø38mm connection)**



Code	Model
9101302	CE311

**18" Aluminium Vacuum Head (Ø50mm connection)**



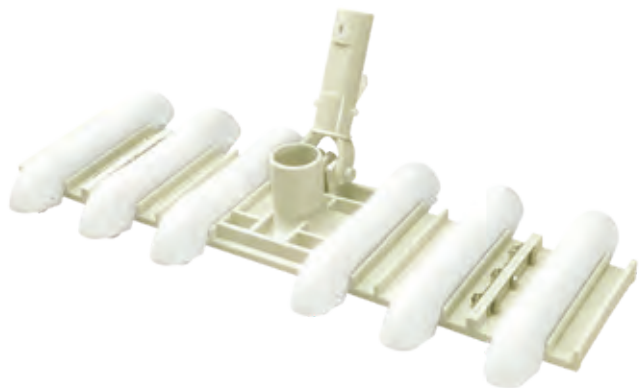
Code	Model
9101303	CE312

**14" Flexible Pool Vacuum Head**



Code	Model
88050301	CE301

**19" Flexible Pool Vacuum Head**



Code	Model
88050304	CE305

**Economy Vinyl liner Vacuum Head**



Code	Model
88050302	CE302

**Deluxe Vinyl liner Vacuum Head**



Code	Model
88050303	CE304

# Thermometer And Test Kit

## Thermometer

Thermometers are made of ABS and PVC with exceptional quality. Easy to read temperatures in Celsius and Fahrenheit. Available in standard and floating models.

### Floating Thermometer



Code	Model
88050401	CE401

## Test Kit

Emaux high quality Test Kits for easily measuring the pH and chlorine levels of your pool water. Refill packages are available.

### Test Kit for pH and Chlorine



Code	Model	Description
88050702	CE029	Test Kit
05011029	CE029-pH	Red pH solution
05011030	CE029-OTO	Yellow OTO solution

### 2 in 1 Test Kit



Code	Model	Description
88050729	CE031	Test Kit
88050722	CE031-pH	Red pH solution
88050723	CE031-OTO	Yellow OTO solution
88050728	CE031R	pH & OTO solution

## Chemical Dispenser

Chemical Dispensers are made of high-grade ABS plastic. Designed to accommodate standard chlorine tablets for pools. Adjustable flow rate regulates the dissolving time of the tablets to maintain the correct level of chlorine in the water.



Code	Model
88050701	CE501

# Salinity Meter

ASSESS THE CONCENTRATION OF SALT

## QUICK RESPONSE AND EASY TO CALIBRATE

This pocket digital Salinity Meter is designed for the pool professional for testing the salt level in pools using salt chlorinators. The meter is dipped into pool water to get instant measurements from a range of 0 to 70 ppt (0 - 70,000ppm) at temperatures from 0 - 50°C.



### Product Information

Code	Model	Salinity Range	Accuracy	Salinity Resolution	Temperature Range	Operating RH%
9316635	8371	0-10.00ppt(NaCl) 10.1-70.0ppt(NaCl)	+/-1%F.S +/- 1 digit 1ppm or 0.01ppt +/-2%F.S +/- 1 digit (10.1~70.0 ppt)	0.01 0.1(10.1~70.0ppt)	0~50.0°C	Humidity < 80%



### Product Features

1. Dual display Temp. & Salinity with ATC
2. Waterproof membrane keypad
3. Low cost and high accuracy
4. Built-in NaCL Temp. coefficient
5. Built-in NaCL Cond. to TDS conversion factor
6. Auto power off / Non-Sleep mode disable
7. Big LCD dual display
8. Auto temperature compensation
9. One-touch auto-calibration
10. Data hold function
11. Calibration information review
12. Low battery indicator

### Package Contains

1. The meter x 1
2. LR44 button battery x 4
3. Operation manual
4. Color box or plain box

# ORP Meter

ASSESS THE ORP (OXIDATION-REDUCTION POTENTIAL)

## EASY TO USE AND FACTORY CALIBRATED

ORP Meter ideal for use in swimming pools and spas, as it can provide a valuable indication of water quality. The size is small and easy to carry with. Simple to use and provides instant display of results.

### Product Features

1. Big LCD with real time ORP display in mV
  2. Storage solution bottle to keep sensor wet & last life time
- Application: - excellent to use in the water disinfection process  
- excellent to use in the aquaculture

### Product Information

Code	Model	mV Range	mV Accuracy	mV Resolution	Operating Temp.	Operating RH%	Storage Temp.	Storage RH%
9318521	8552	-999mV~ +999mV	+/- 4mV	1mV	0~60.0°C	Humidity <80%	-10~60°C	Humidity <90%



### Package Contains

1. The meter x 1
2. LR44 button battery x 4
3. Operation manual

# pH/Temperature Meter

ASSESS THE PH AND THE TEMPERATURE

## USER FRIENDLY AND EASY TO CALIBRATE

This pocket digital pH/Temp Meter is designed for on-the-go measurements of pH and temperature. The high accuracy pen type pH/Temp meter uses combined pH electrode of high sensitivity, fast response, and good repetition as probe. It has a pH range from 0 to 14 with an accuracy of  $\pm 0.05$  pH.

### Product Features

1. Big LCD with dual display
2. pH/Temperature dual display
3. Measuring stability indicator
4. One touch auto-calibration up to 3 points
5. Calibration values are adjustable
6. Can keep sensor wet & last life time

### Product Information

Code	Model	pH Range	pH Accuracy	pH Resolution	Temp. Range	Temp. Accuracy	Operating Temp.	Operating RH%
9318522	8686	0.00~14.00	+/-0.05	0.01	0~60.0°C	+/-0.5°C	0~50°C	Humidity <80%



### Package Contains

1. The meter x 1
2. LR44 button battery x 4
3. Operation manual



# HEATING EQUIPMENT

EXTEND SWIMMING SEASON AT LOW COST

---

Emaux heat exchangers and heat pumps ensure that your pool and spa can be used at any time. The right choice of heater will maximise the utilisation of your pool by increasing the water temperature, improving bathers' comfort, and extending the swimming season.

# HE Series Heat Exchanger

Connects to different kinds of boilers, heat pumps and solar panel systems



## EXCELLENT HEAT TRANSFER CAPABILITY

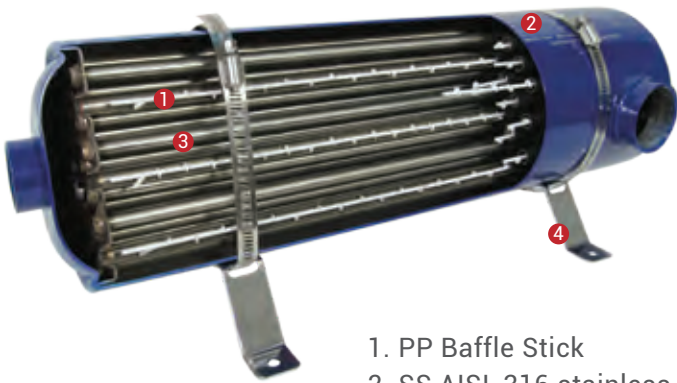
A heat exchanger is used to continually transfer heat/cold from one media to another in order to carry process energy.

Emaux HE series Heat exchanger produces high output and has excellent heat transfer capability. All models can be installed and connected to different kinds of boilers, heat pumps and solar panel systems.

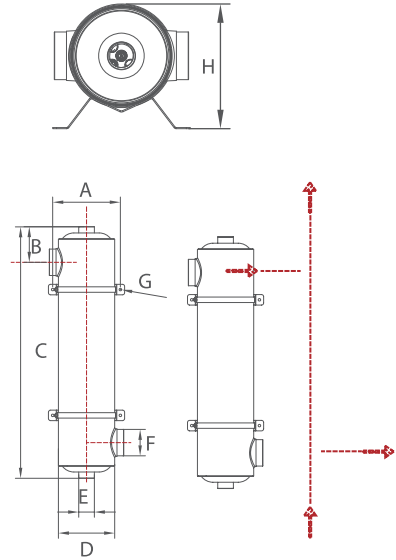
### Product Features

1. High quality acid-resistant AISI-316 stainless steel
2. Precision-welded outer jacket
3. Seamless pipes equipped with flow restrictors for high heat exchange capacity
4. Four size: 40, 60, 75, 120 kW, suitable for swimming pools of up to 450m<sup>3</sup>





1. PP Baffle Stick
2. SS AISI-316 stainless steel casing (Ø133x1.5mm)
3. SS AISI-316 stainless steel heat transfer tubes (Ø10x0.6mm)
4. SS AISI-316 stainless steel base



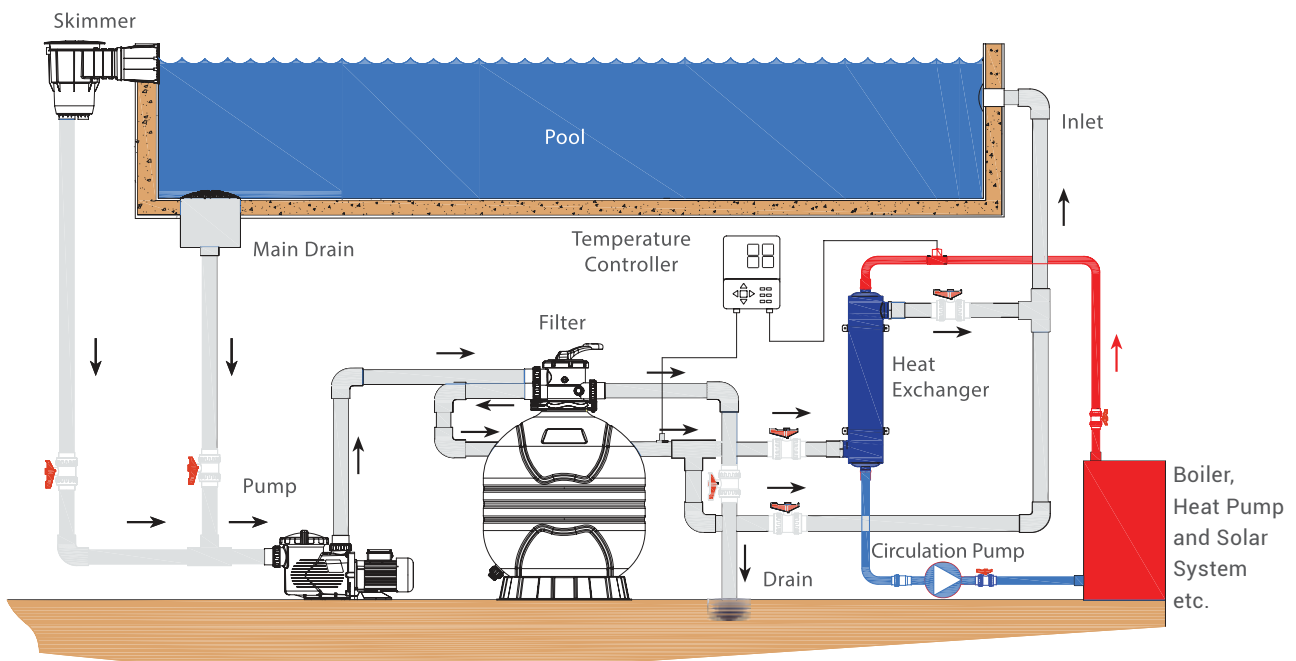
### Testing Pressure

1. Pool Water Circuit: 10 Bar
2. Hot Water Circuit: 5 Bar

### Product Dimensions and Technical Information

Code	Model	Capacity		Weight kg	Hot Water Flow (l/min)	Pool Water Flow (l/min)	A mm	B mm	C mm	D mm	E mm	F mm	G mm	H mm
		kw	kBtu/h											
88540101	HE40	40	135	4.0	25	200	160	75	360	Ø133	1"	1.5"	Ø6	165mm
88540102	HE60	60	200	5.2	30	250	160	75	480	Ø133	1"	1.5"	Ø6	165mm
88540103	HE75	75	260	6.4	35	300	160	85	600	Ø133	1"	2"	Ø6	165mm
88540104	HE120	120	400	10.9	50	360	160	85	1070	Ø133	1.5"	2"	Ø6	165mm

### Installation



# Inverter Heat Pump

Connects to different kinds of boilers, heat pumps and solar panel systems

## HIGH COP TO SAVE ENERGY COST

Industry leading efficient stepless DC inverter control system. With smart conversion of compressor, fan motor and pressure system, it provides amazing energy saving performance with max COP of 16.1.



## INVERPAD TECHNOLOGY

Thanks to the InverPad technology, the inverter provides an average of 93% free energy from ambient air.

## SILENCE TO RELAX YOUR MIND

A fully enclosed cabinet is specially designed for the compressor so that the running noise can be kept inside and the noise of the whole unit can maintain very low.



### Double-side Airflow Outlet

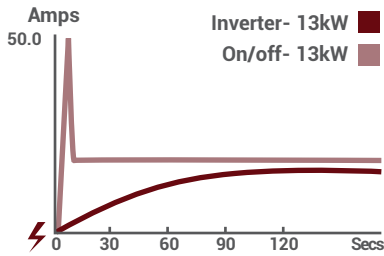
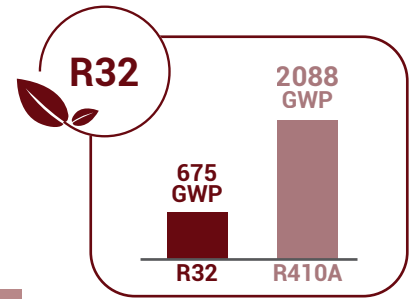
The unit uses double-side airflow cabinet which through years of application in the market is proven to be highly efficient in heat exchange and outstandingly silent during operation.

### Optional Noise Absorbing Cover

On the cabinet, the lively interplay of sheet metal surfaces combined with irregular shaped pattern is reminiscent of a high-performance swimming pool heat pump products. More importantly, noise absorption cover effectively reduces 8dB(A).

## Eco-friendly R32

32% GWP, 25% CO2 carbon consumption & 25% quota cost comparing to R410A.



## Full Protection on Electrical system

With a DC inverter compressor, inverter will start from 0 amps and increase steadily. There is no rush to the house electricity system.

## Wide Voltage Application

Self-adjustment to fit in unstable power supply, therefore voltage range can be 180V ~260V.



## Product Information

Code	Model	Heating capacity in A27°C/W27°C (kW)	COP Range	Heating capacity in A15°C/W26°C (kW)	COP Range	Operating Temp.	Heating Input Power (kW)	Rated Heating Running Current (A)	Cooling Capacity (kW)	Cooling Input Power (kW)	Cooling Running Current (A)	Power Supply (V/Ph/Hz)	Water Flow Volume (m³)	Noise (Min-Max) dB(A)	Water Connections (mm)
31000001	IHP13	3.5-13.5	6-16	2-9.5	4.5-8	-15°C	0.22-2.2	1-10	1.8-5	0.4-1.4	1-9	220-230V/1Ph/50Hz	4-7	42-50	50/48.3
31000002	IHP18	4.5-18	6-16	2.5-12	4.5-8	-15°C	0.35-3.2	1.8-15	4.5-8	1-2.3	1.5-14	220-230V/1Ph/50Hz	5-8	42-50	50/48.3
31000003	IHP21	5-21	6.1-16.1	3-14.5	4.6-8.1	-15°C	0.4-3.4	1.8-15.5	5-10	1.1-3.4	1.5-14.5	220-230V/1Ph/50Hz	5-8	42-52	50/48.3
31000004	IHP26	7-26	6-15.5	4-18	4.5-8.1	-15°C	0.5-4.3	2.3-21	5.5-11	1.3-3.9	2-19	220-230V/1Ph/50Hz	5-8	43-53	50/48.3
31000005	IHP36	9-36	6-16	6-24	4.5-8	-15°C	0.75-6	3.4-27.3	6.5-14	1.4-7.4	3-26.5	220-230V/1Ph/50Hz	6-10	46-54	50/48.3
31000006	IHP36S	9-36	6-16	6-24	4.5-8	-15°C	0.75-6	1.3-10.7	6.5-14	1.4-7.4	1-10	380-415V/3Ph/50Hz	6-10	46-54	50/48.3

## Product Dimensions

Code	Model	Net weight (KG)	Gross weight (KG)	Net dimensions (without front cover) (mm)	Packing dimensions (without front cover) (mm)	Net dimensions (with front cover) (mm)	Packing dimensions (with front cover) (mm)
31000001	IHP13	50	58	970*370*650	1170*415*800	970*470*650	1170*515*800
31000002	IHP18	55	63	970*370*650	1170*415*800	970*470*650	1170*515*800
31000003	IHP21	75	85	1115*430*850	1200*520*990	1115*530*850	1200*620*990
31000004	IHP26	78	88	1115*430*850	1200*520*990	1115*530*850	1200*620*990
31000005	IHP36	120	135	1115*430*1350	1200*520*1500	1115*530*1350	1200*620*1500
31000006	IHP36S	120	135	1115*430*1350	1200*520*1500	1115*530*1350	1200*620*1500

# Heat Pumps

Durable, low cost, easy and quiet operation

## B2 SERIES HEAT PUMP

### Product Features

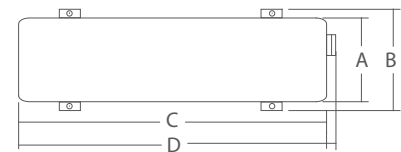
- 1. Durable** The long-life heat exchanger is made by PVC & titanium tube, which can withstand prolonged exposure to pool water.
- 2. Easy Operation** The unit is very easy to operate: switch it on and set the desired pool water temperature. Operates in a normal ambient temperature of 12-35°C.
- 3. Quiet Operation** The unit comprises an efficient rotary compressor and a low-noise fan motor, which guarantee its quiet operation.
- 4. Low Cost** The running costs are very low due to its high performance.



### Measuring Conditions

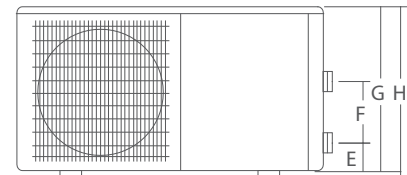
Heating : Dry bulb 24°C, Wet Bulb 19°C, Water entering temperature 27°C

Model	A (mm)	B (mm)	C (mm)	D (mm)	E (mm)	F (mm)	G (mm)	H (mm)
HP4.5B2	260	293	754	770	100	260	460	485
HP5.6B2	280	360	936	950	110	250	520	550
HP7.8B2	280	360	936	950	110	250	520	550
HP9.5B2	300	370	1010	1085	110	270	580	615



### Product Information

Model	Net Dimensions L x W x H (mm)	Packing Dimensions L x W x H (mm)	Net Weight (kg)	Gross Weight (kg)
HP4.5B2	754 x 293 x 485	760 x 295 x 490	36	39
HP5.6B2	936 x 360 x 550	1090 x 390 x 580	39	42
HP7.8B2	936 x 360 x 550	1090 x 390 x 580	54	57
HP9.5B2	1010 x 370 x 615	1170 x 415 x 645	63	67



Code	Model	Heating Capacity in A27°C/W27°C (W)	Heating Capacity in A15°C/W26°C (W)	Rated Heating Capacity (W/BTU)	Heating Input Power (W)	Heating Running Current (A)	Power Supply (V/PH/Hz)
88360703	HP4.5B2	5500	4000	4500/15300	1050	4.8	220V/1PH/50Hz
88360704	HP5.6B2	6200	4500	5600/18000	1250	5.7	220V/1PH/50Hz
88360705	HP7.8B2	8900	6100	7800/26500	1650	7.5	220V/1PH/50Hz
88360706	HP9.5B2	11500	8200	9500/32500	1978	10	220V/1PH/50Hz

Model	Controller	Number of Compressor	Compressor	Number of Fan	Input Power of Fan (W)	Fan Speed (RPM)	Noise Db (A)	Water Connection (mm)	Water Flow Volume (m³/h)	Water Pressure Drop (kpa)
HP4.5B2	Mechanical	1	Rotary	1	25	900	54	50	4-6	10
HP5.6B2	Mechanical	1	Rotary	1	25	900	55	50	4-6	12
HP7.8B2	Mechanical	1	Rotary	1	25	900	55	50	4-7	12
HP9.5B2	Mechanical	1	Rotary	1	30	890	57	50	4-7	15

# B SERIES HEAT PUMP

## Product Features

- High Efficiency** With a COP value up to 5.0, our heat pumps are very efficient when transferring heat from the air to the swimming pool water. Savings as much as 80 % of running costs are possible compared to an electrical heater.
- Long life-span** The heat exchanger is made by PVC & Titanium tube, which can withstand and prolong exposure to pool water.
- Easy Control and Operation** Easy control and operation by simply switching on and setting the desired water temperature. The built-in computerised controller permits the setting of the operational. The status can be displayed in the LCD display.



## Measuring Conditions

Heating : Dry bulb 24°C, Wet Bulb 19°C, Water entering temperature 27°C

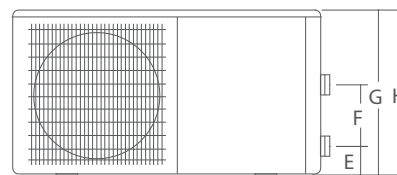
Cooling : Dry bulb 35°C, Wet Bulb 24°C, Water entering temperature 27°C

Model	A (mm)	B (mm)	C (mm)	D (mm)	E (mm)	F (mm)	G (mm)	H (mm)
HP5.6B	280	360	936	950	110	250	520	550
HP7.8B	280	360	936	950	110	250	520	550
HP9.5B	300	370	1010	1085	110	270	580	615
HP14B	420	470	1100	1150	80	350	664	700



## Product Information

Model	Net Dimensions L x W x H (mm)	Packing Dimensions L x W x H (mm)	Net Weight (kg)	Gross Weight (kg)
HP5.6B	936 x 360 x 550	1090 x 390 x 580	53	56
HP7.8B	936 x 360 x 550	1090 x 390 x 580	54	57
HP9.5B	1010 x 370 x 615	1170 x 415 x 645	63	67
HP14B	1170 x 470 x 690	1240 x 500 x 750	95	105



Code	Model	Heating Capacity in A27°C/W27°C (W)	Heating Capacity in A15°C/W26°C (W)	Rated Heating Capacity (W/BTU)	Heating Input Power (W)	Heating Running Current (A)	Rated Cooling Capacity (W/BTU)	Cooling Input Power (W)	Cooling Running Current (A)	Power Supply (V/PH/Hz)
88360304	HP5.6B	6100	4500	5600/18000	1083	5.0	3200/11000	1030	4.7	220V/1PH/50Hz
88360305	HP7.8B	8900	6500	7800/26500	1625	7.5	4800/16500	1550	7.1	220V/1PH/50Hz
88360306	HP9.5B	11500	8000	9500/32500	1938	8.8	5900/20000	1910	8.7	220V/1PH/50Hz
88360508	HP14B	15500	11000	14000/48000	2880	13.3	8600/29500	2980	13.8	220V/1PH/50Hz

Model	Controller	Number of Compressor	Compressor	Number of Fan	Input Power of Fan (W)	Fan Speed (RPM)	Noise Db (A)	Water Connection (mm)	Water Flow Volume (m³/h)	Water Pressure Drop (kpa)
HP5.6B	Electronic	1	Rotary	1	25	950	48	50	2-4	12
HP7.8B	Electronic	1	Rotary	1	25	950	48	50	3-5	12
HP9.5B	Electronic	1	Rotary	1	30	950	48	50	4-7	15
HP14B	Electronic	1	Scroll	1	60	950	50	50	5-8	15

# A SERIES HEAT PUMP

## Product Features

- 1. High Efficiency** With a COP value up to 5.0, our heat pumps are very efficient when transferring heat from the air to the pool water. Savings as much as 80 % of running costs are possible compared to an electrical heater.
- 2. Long life-span** The heat exchanger is made by PVC & titanium tube, which can withstand and prolong exposure to pool water.
- 3. Easy Control and Operation** Easy control and operation by simply switching on and setting the desired water temperature. The built-in computerised controller permits the setting of the operational. The status can be displayed in the LCD display.



## HP14A-26A



## Measuring Conditions

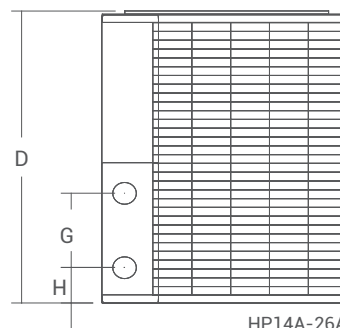
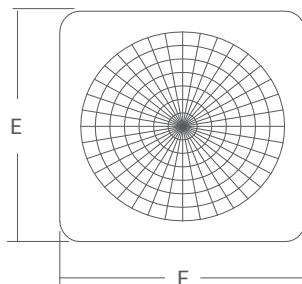
Heating : Dry bulb 24°C, Wet Bulb 19°C, Water entering temperature 27°C

Cooling : Dry bulb 35°C, Wet Bulb 24°C, Water entering temperature 27°C

Model	D (mm)	E (mm)	F (mm)	G (mm)	H (mm)
HP14A	860	660	660	320	95
HP17A	860	660	660	450	95
HP21A	960	660	660	450	95
HP26A	960	660	660	500	95

## Product Information

Model	Net Dimensions L x W x H (mm)	Packing Dimensions L x W x H (mm)	Net Weight (kg)	Gross Weight (kg)
HP14A	660 x 660 x 860	770 x 740 x 1010	105	113
HP17A	660 x 660 x 960	770 x 740 x 1110	108	120
HP21A	660 x 660 x 960	770 x 740 x 1110	111	123
HP26A	660 x 660 x 960	770 x 740 x 1110	112	125



HP14A-26A

## HP35A-50A



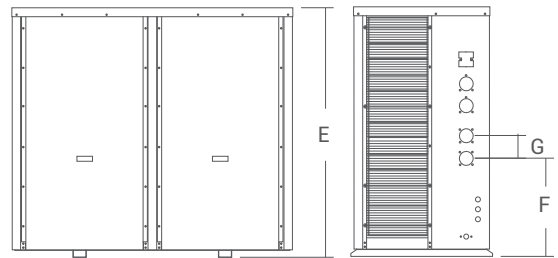
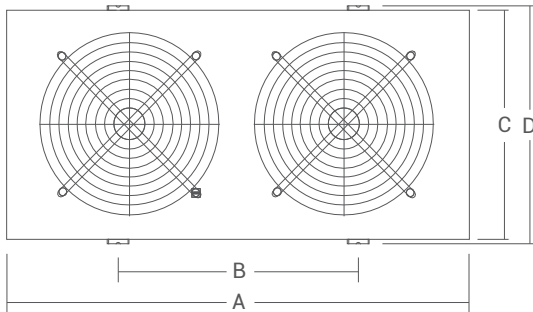
### Product Information

Model	Net Dimensions L x W x H (mm)	Packing Dimensions L x W x H (mm)	Net Weight (kg)	Gross Weight (kg)
HP35A	1448 x 730 x 1080	1630 x 830 x 1350	242	270
HP50A	1448 x 730 x 1280	1630 x 830 x 1450	243	272

### Measuring Conditions

Heating : Dry bulb 24°C, Wet Bulb 19°C, Water entering temperature 27°C  
 Cooling : Dry bulb 35°C, Wet Bulb 24°C, Water entering temperature 27°C

Model	A (mm)	B (mm)	C (mm)	D (mm)	E (mm)	F (mm)	G (mm)
HP35A	1448	690	700	770	1080	435	135
HP50A	1448	690	700	770	1280	506	120



HP35A-50A

## HP90A



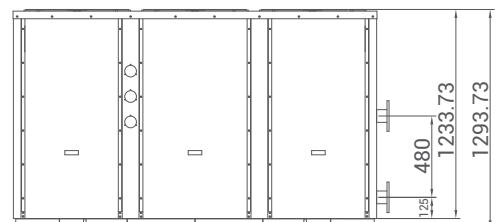
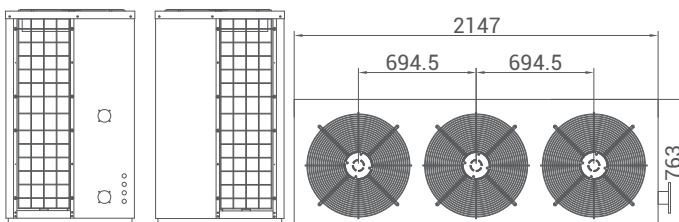
### Product Information

Model	Net Dimensions L x W x H (mm)	Packing Dimensions L x W x H (mm)	Net Weight (kg)	Gross Weight (kg)
HP90A	2150 x 770 x 1280	2275 x 900 x 1500	250	280

### Measuring Conditions

Heating : Dry bulb 24°C, Wet Bulb 19°C, Water entering temperature 27°C  
 Cooling : Dry bulb 35°C, Wet Bulb 24°C, Water entering temperature 27°C

Model	A (mm)	B (mm)	C (mm)	D (mm)	E (mm)	F (mm)	G (mm)
HP90A	2150	690	700	770	1280	125	480



HP90A

## HP105A-135A



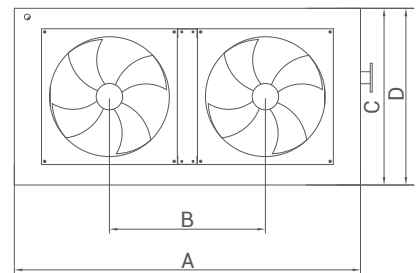
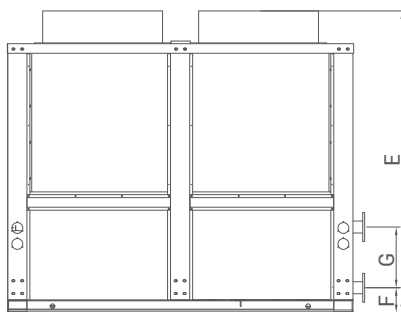
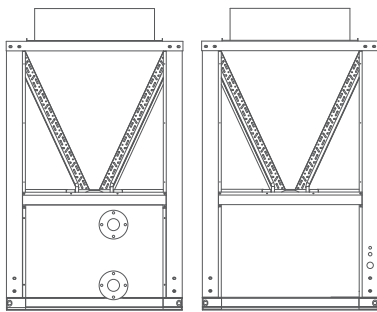
### Product Information

Model	Net Dimensions L x W x H (mm)	Packing Dimensions L x W x H (mm)	Net Weight (kg)	Gross Weight (kg)
HP105A	2160 x 1100 x 2030	2200 x 1220 x 2150	600	630
HP135A	2160 x 1100 x 2030	2200 x 1220 x 2150	630	660

### Measuring Conditions

Heating : Dry bulb 24°C, Wet Bulb 19°C, Water entering temperature 27°C  
Cooling : Dry bulb 35°C, Wet Bulb 24°C, Water entering temperature 27°C

Model	A (mm)	B (mm)	C (mm)	D (mm)	E (mm)	F (mm)	G (mm)
HP105A	2160	950	1100	1100	2030	180	380
HP135A	2160	950	1100	1100	2030	180	420



HP105A-HP135A

### Technical Information

Code	Model	Heating Capacity in A27°C/W27°C (W)	Heating Capacity in A15°C/W26°C (W)	Rated Heating Capacity (W/BTU)	Heating Input Power (W)	Heating Running Current (A)	Rated Cooling Capacity (W/BTU)	Cooling Input Power (W)	Cooling Running Current (A)	Power Supply (V/PH/Hz)
88360108	HP14A	15800	11000	14000/48000	2880	13.3	8600/48000	2980	13.8	220V/1PH/50Hz
88360109	HP17A	19000	12250	17000/60000	3500	16.1	10300/35200	3600	16.9	220V/1PH/50Hz
88360110	HP21A	23000	14800	21000/73000	4250	7.9	13500/46000	4650	8.3	220V/1PH/50Hz
88360210	HP21A	23000	14800	21000/73000	4250	7.9	13500/46000	4650	8.3	380V/3PH/50Hz
88360211	HP26A	27500	18000	26000/90000	5300	9.5	16000/55000	5730	10.5	380V/3PH/50Hz
88360212	HP35A	39000	25000	35000/120000	7100	12.3	29000/100000	9600	17.3	380V/3PH/50Hz
88360214	HP50A	55000	36000	50000/170000	10300	18.4	36000/123000	12100	21.6	380V/3PH/50Hz
3166360001	HP90A	93000	61000	90000/306000	17500	31.2	58000/200000	18800	33.5	380V/3PH/50Hz
3166370001	HP105A	120000	70000	105000/357000	22800	40.3	78000/266000	25100	44.8	380V/3PH/50Hz
3166380001	HP135A	140000	92000	135000/459000	26800	47.8	96000/327000	28500	50.9	380V/3PH/50Hz

Model	Controller	Number of Compressor	Compressor	Number of Fan	Input Power of Fan (W)	Fan Speed (RPM)	Noise Db (A)	Water Connection (mm)	Water Flow Volume (m³/h)	Water Pressure Drop (kpa)
HP14A	Electronic	1	Scroll	1	200	850	60	50	5-8	15
HP17A	Electronic	1	Scroll	1	200	830	60	50	5-8	16
HP21A	Electronic	1	Scroll	1	200	830	60	50	6-10	16
HP26A	Electronic	1	Scroll	1	200	830	60	50	6-12	16
HP35A	Electronic	2	Scroll	2	200 x 2	830	61	63	8-15	18
HP50A	Electronic	2	Scroll	2	200 x 2	830	61	63	8-15	18
HP90A	Electronic	3	Scroll	3	200 x 3	830	61	63	35-55	28
HP105A	Electronic	4	Scroll	2	750 x 2	830	61	75	45-55	31
HP135A	Electronic	4	Scroll	2	750 x 2	830	61	75	55-65	32







# USEFUL INFORMATION

---

# UNIT CONVERSION TABLE

Length	Inch (in)	Foot (ft)	Meter (m)
Inch (in)	1	0.083	0.025
Foot (ft)	12	1	0.305
Meter (m)	39.37	3.281	1

Area	Square inch (in <sup>2</sup> )	Square foot (ft <sup>2</sup> )	Square meter (m <sup>2</sup> )	Square centimeter (cm <sup>2</sup> )
Square inch (in <sup>2</sup> )	1	0.0069	0.000645	6.45
Square foot (ft <sup>2</sup> )	144.036	1	0.093	929.03
Square meter (m <sup>2</sup> )	1150.388	10.764	1	10
Square centimeter (cm <sup>2</sup> )	0.155	0.00107	0.0001	1

Capacity / Volume	Square inch (in <sup>2</sup> )	U.S. gallon (US gal)	Cubic meter (m <sup>3</sup> )	Liter (l)
Imperial gallon (UK gal)	1	1.201	0.0045	6.45
U.S. gallon (US gal)	0.833	1	00.0038	929.03
Cubic meter (m <sup>3</sup> )	264.172	219.969	1	10
Liter (l)	0.22	0.264	0.001	1

Mass / Weight	Pound (lb)	Kilogram (kg)	Gram (g)
Pound (lb)	1	0.454	453.59
Kilogram (kg)	2.205	1	1000
Gram (g)	0.0022	0.001	1

Pressure	Pounds per square inch (psi)	Bar (bar)	Pascal (pa)	KG per square cm (kg/cm <sup>2</sup> )
Pounds per square inch (psi)	1	0.0689	6894.76	0.07
Bar (bar)	14.504	1	100000	1.019
Pascal (pa)	0.00014	0.00001	1	0.0001
KG per square cm (kg/cm <sup>2</sup> )	14.228	0.981	98100	1

Power	British Thermal Unit/hour (BTU/h)	Horsepower (HP)	Kilowatt (kW)
British Thermal Unit/hour (BTU/h)	1	0.00039	0.00029
Horsepower (HP)	2544.43	1	0.746
Kilowatt (kW)	3412.14	1.341	1

Velocity	Inch / second (in/s)	Foot / second (ft/s)	Meter / second (m/s)	Meter / hour (m/h)
Inch/second (in/s)	1	0.083	0.025	91.44
Foot/second (ft/s)	12	1	0.305	1097.28
Meter/second (m/s)	39.37	3.281	1	3600
Meter/hour (m/h)	0.011	0.00091	0.00028	1

Flow	US gallon / minute (US gal/min)	UK gallon / minute (UK gal/min)	Cubic meters / hour (m <sup>3</sup> /h)	Liters / second (l/s)
US gallon/minute (US gal/min)	1	1.201	0.273	0.076
UK gallon/minute (UK gal/min)	0.833	1	0.227	0.063
Cubic meters/hour (m <sup>3</sup> /h)	3.667	4.403	1	0.278
Liters/second (l/s)	13.198	15.85	3.6	1

Temperature	Degree Celsius (°C)	Fahrenheit (°F)
Degree Celsius (°C)	1	32+[(9/5)x°C]
Fahrenheit (°F)	(5/9) x (°F-32)	1



## EMAUX WATER TECHNOLOGY CO., LTD

ADDRESS: FLAT A-D, 20/F., KAI BO 22, 22 WING KIN ROAD,

KWAI CHUNG, HONG KONG

PHONE +852 2832 9880

<https://www.emauxgroup.com>

 **YOUR PREMIER SUPPLIER**

ALL SPECIFICATIONS ARE SUBJECT TO CHANGE WITHOUT NOTICE.

© 2023 EMAUX WATER TECHNOLOGY CO., LTD. ALL RIGHTS RESERVED.



Websites and Social Media