

8"

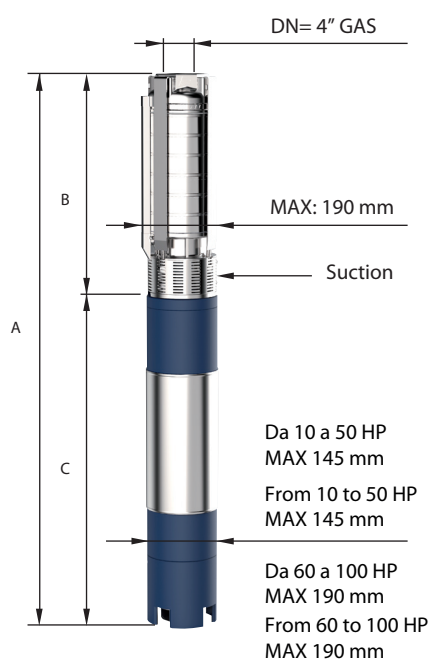
180 RX50


CARATTERISTICHE IDRAULICHE - HYDRAULIC PERFORMANCES
Q= Portata - Capacity - Debit **60 Hz n= 3450 min**

Tipo Type	Power		H(m)	l/min	0	720	840	960	1080	1200	1320	1440	1560
	kW	HP		l/sec	0	12	14	16	18	20	22	24	26
				m ³ /h	0	43	50	58	65	72	79	86	94
180 RX 50/02	18,5	25	H(m)	68	60	58	55	49	45	39	32	23	
180 RX 50/03	22	30		102	91	86	82	73	67	58	48	35	
180 RX 50/04	30	40		136	121	115	109	98	89	78	63	46	
180 RX 50/05	37	50		169	151	144	137	122	112	97	79	58	
180 RX 50/06	44	60		203	181	173	164	147	134	117	95	69	
180 RX 50/07	55	75		237	212	202	192	171	157	136	111	81	
180 RX 50/09	66	90		305	272	259	246	220	201	175	143	104	
180 RX 50/10	75	100		339	302	288	274	245	224	195	158	115	
180 RX 50/12	92	125		407	363	346	328	294	268	234	190	138	

DIMENSIONI D'INGOMBRO E PESI - OVERALL DIMENSIONS AND WEIGHTS

Type	A mm Tri V 460	B mm	C mm Tri	M Kg Tri	P Kg
180 RX 50/02	1539	548	991	83	24
180 RX 50/03	1678	607	1071	92	28
180 RX 50/04	1917	666	1251	108	32
180 RX 50/05	2066	725	1341	118	36
180 RX 50/06	1907	784	1123	178	40
180 RX 50/07	2076	843	1233	200	44
180 RX 50/09	2264	961	1303	214	52
180 RX 50/10	2403	1020	1383	230	56
180 RX 50/12	2721	1138	1583	270	64



n% = Rendimento della pompa
n% = Rendement de la pompe
n% = Pump efficiency
n% = Rendimiento de la bomba

**Max
61%**

kW/st = Assorbimento per stadio
kW/st = Absorption par étage
kW/st = Stage absorption
kW/st = Potencia absorbida por etapa

**Max
7,5**

Tolleranza alla sabbia 50 g/m³ - Sand tolerance 50 g/m³ - Compatibilità con acqua potabile DM 174 Drinking water compatibility according to DM 174
Tolleranze secondo UNI ISO 9906 livello 3B - Tolerances according to UNI ISO 9906 grade 3B